

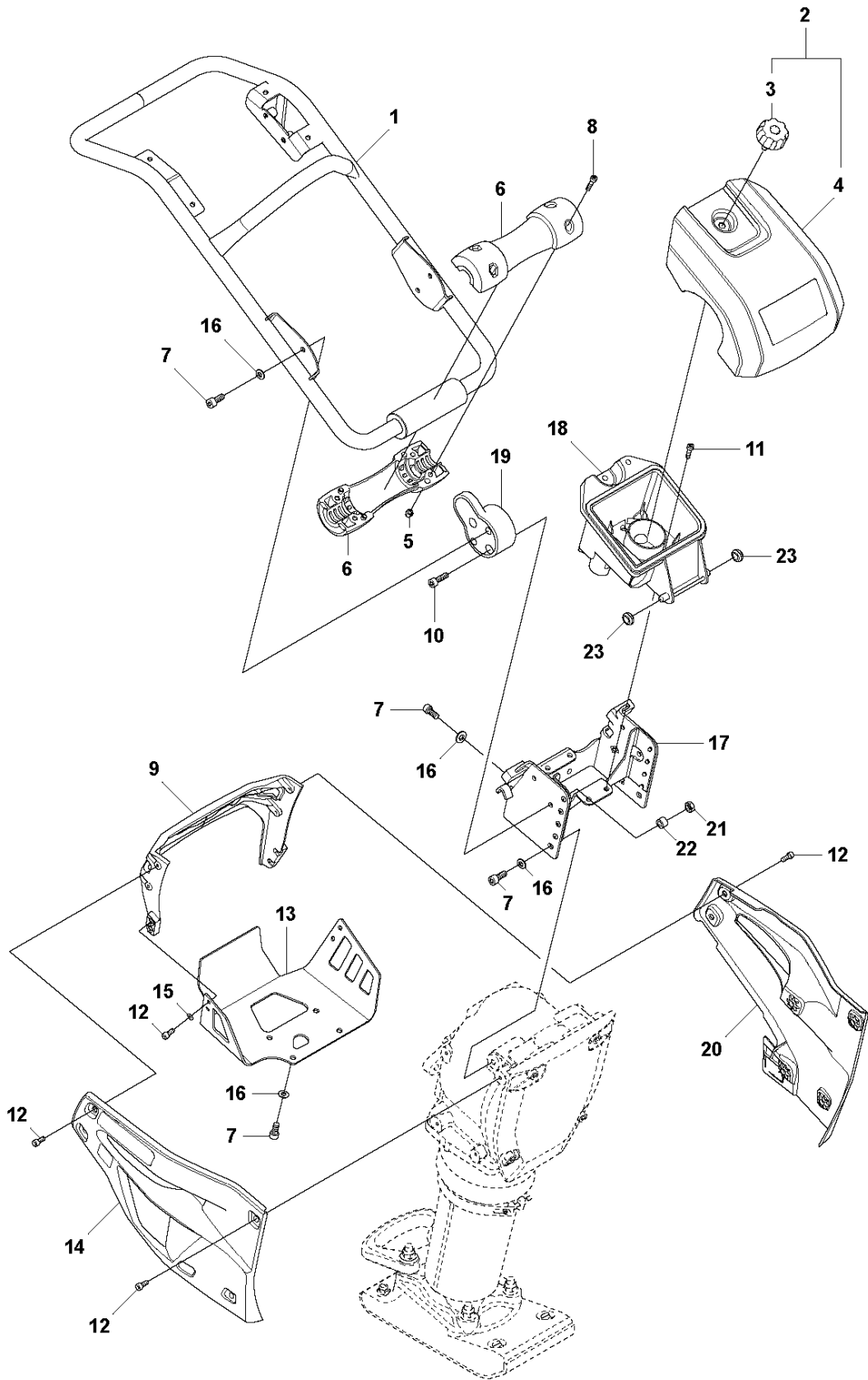


# SPARE PARTS LIST

LIGHT COMPACTION

LT 5005, 967854601, 967854602, 2019-06

**A** LT 5005  
HANDLE & COVERS

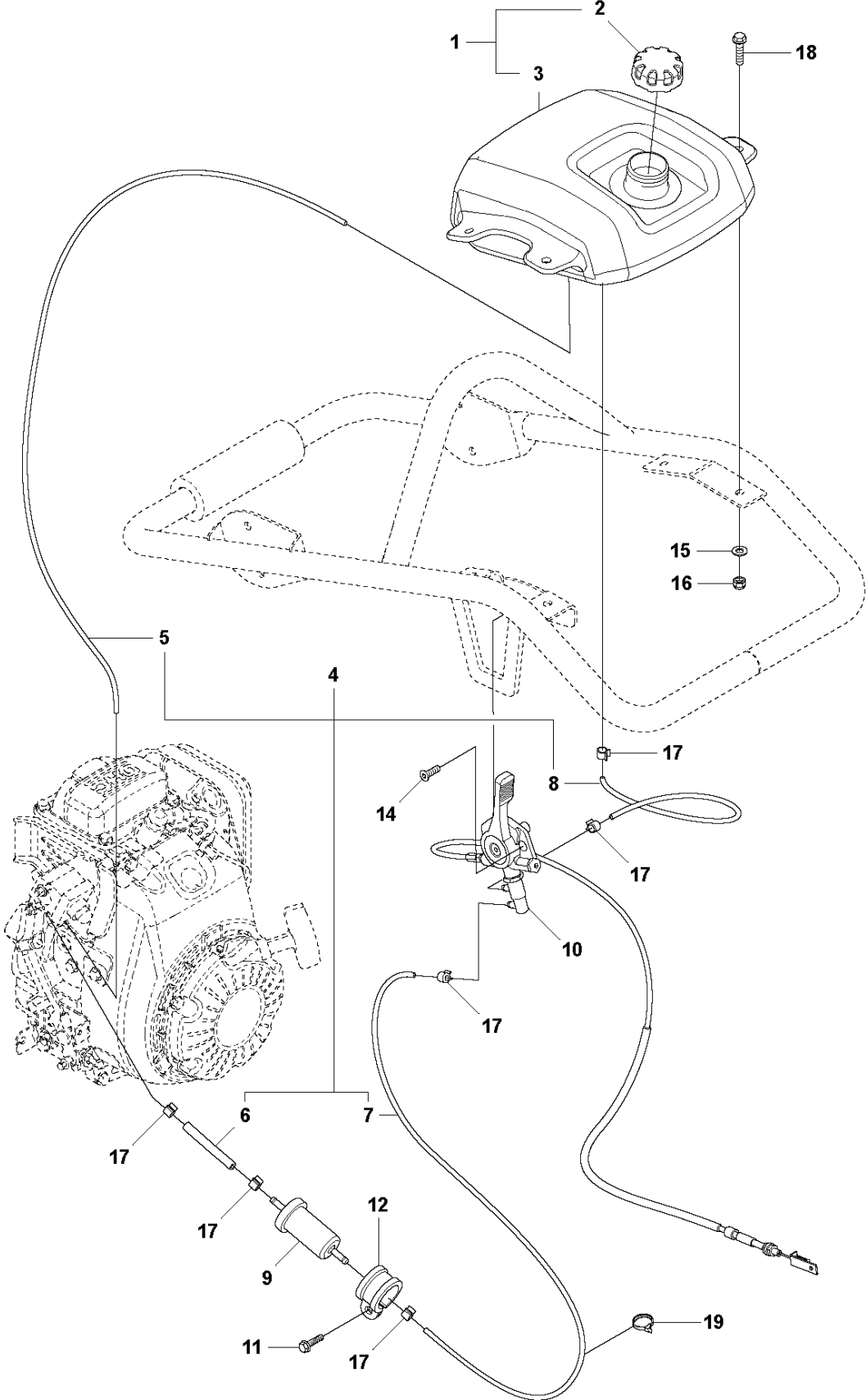


## HANDLE &amp; COVERS

LT 5005, 967854601, 967854602, 2019-06

Ref	Part No	Description	Remark	QTY	KIT
1	594 19 15-01	FRAME		1	
2	595 27 61-01	HOOD		1	
3	594 19 21-01	KNOB		1	2
4	595 08 88-01	COVER		1	2
5	595 03 60-01	LOCK NUT		4	
6	594 45 85-01	VALVE		2	
7	595 34 83-01	SCREW		12	
8	595 11 12-01	SCREW	M6 x 30, 8.8	4	
9	594 16 73-01	COVER		1	
10	595 03 45-01	SCREW		4	
11	595 34 81-01	SOCKET		4	
12	595 03 42-01	SCREW		16	
13	594 95 94-01	ENGINE COVER		1	
14	594 16 74-01	COVER		1	
15	595 03 65-01	PLANE WASHER		4	
16	595 03 66-01	WASHER	DIN125	12	
17	594 75 98-01	BRACKET		1	
18	595 36 76-01	CASE		1	
19	594 16 70-01	ABSORBER		2	
20	594 16 75-01	COVER		1	
21	595 03 57-01	NUT	DIN934	4	
22	594 18 15-01	SPACER		4	
23	596 24 35-01	GROMMET		2	

**B** LT 5005  
THROTTLE CONTROL & FUEL SYSTEM

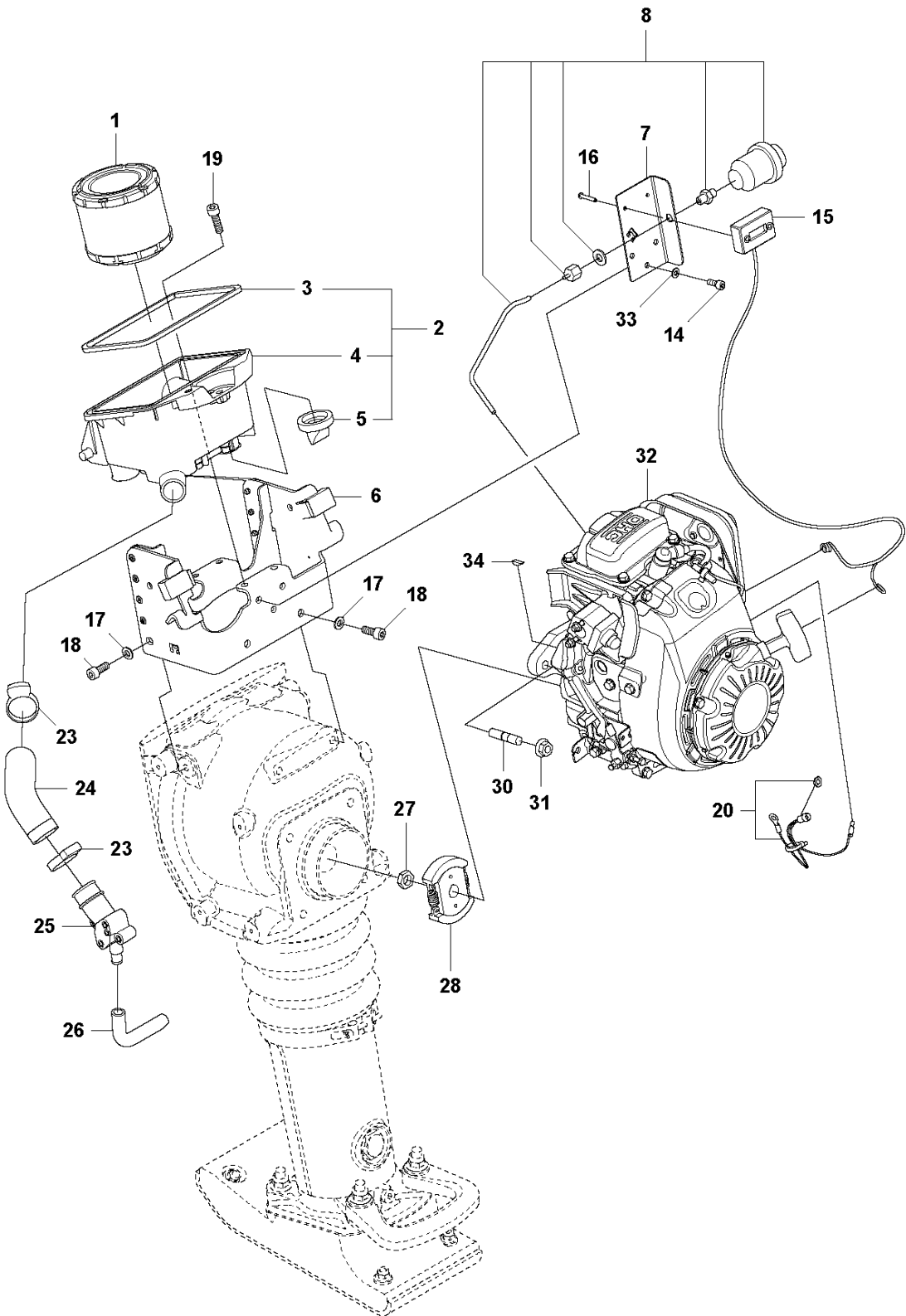


## THROTTLE CONTROL &amp; FUEL SYSTEM

LT 5005, 967854601, 967854602, 2019-06

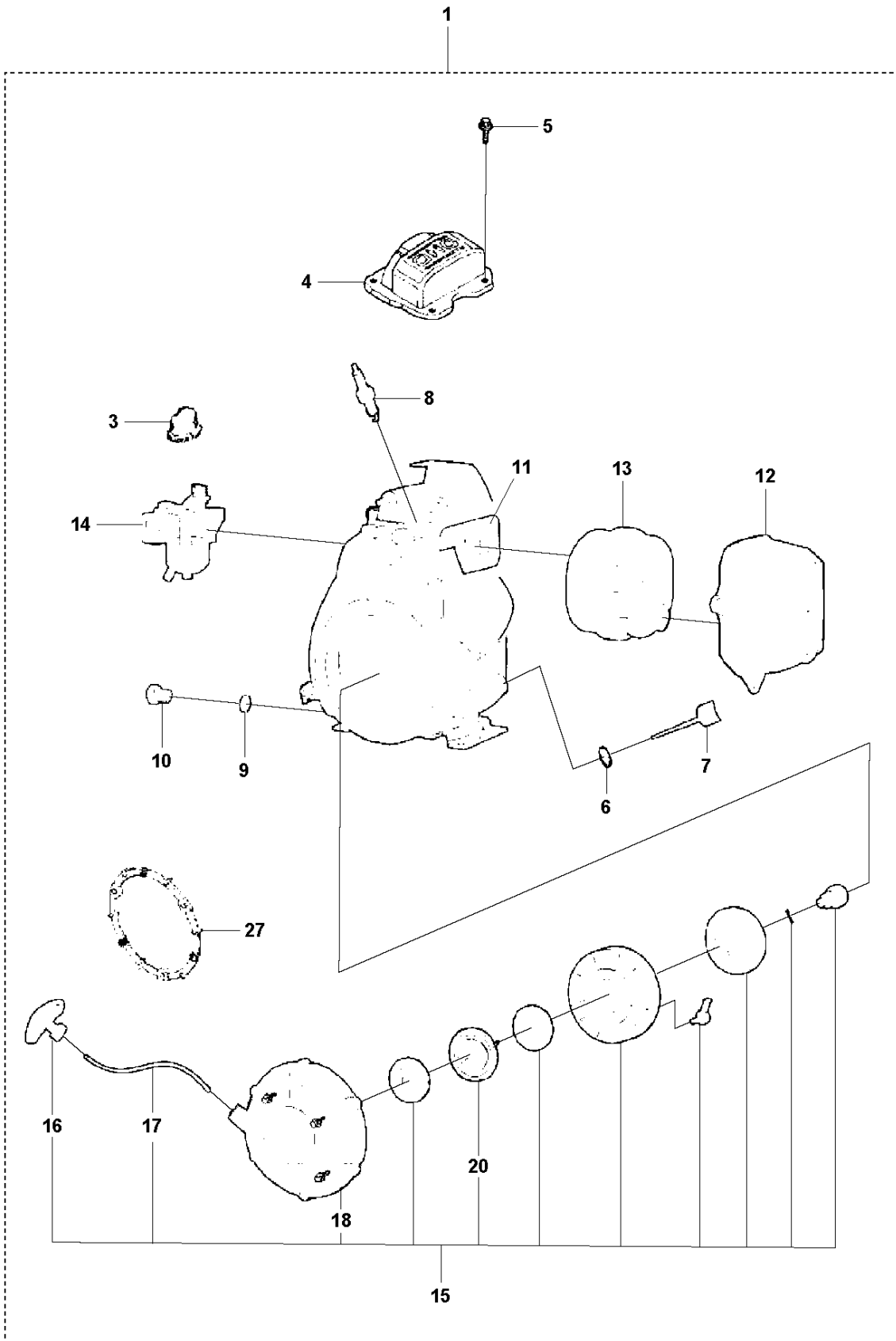
Ref	Part No	Description	Remark	QTY KIT
1	594 21 09-01	FUEL TANK		1
2	594 16 99-01	FUEL CAP		1
3	595 04 47-01	FUEL TANK		1
4	594 19 37-01	FUEL HOSE		1
5	594 18 96-01	FUEL HOSE		1
6	594 75 93-01	FUEL HOSE		1
7	594 18 95-01	FUEL HOSE		1
8	594 75 89-01	FUEL HOSE		1
9	594 19 29-01	FUEL FILTER		1
10	594 18 94-01	THROTTLE CONTROL		1
11	594 52 33-01	SCREW	M6 x 16 mm	1
12	594 12 57-01	PIPE CLAMP		1
14	595 34 97-01	SOCKET		2
15	595 03 65-01	PLANE WASHER		4
16	595 03 60-01	LOCK NUT		4
17	594 12 58-01	HOSE CLAMP		6
18	594 11 96-01	SCREW	M6 x 20 mm	4
19	594 12 60-01	CABLE		3

**C** LT 5005  
AIR FILTER & ENGINE INSTALLATION



Ref	Part No	Description	Remark	QTY	KIT
1	594 16 87-01	AIR FILTER		1	
2	594 16 80-01	HOUSING		1	
3	594 17 90-01	GASKET		1	2
4	595 36 76-01	CASE		1	2
5	594 16 91-01	VALVE		2	2
6	596 68 70-01	BRACKET		1	
7	595 36 37-01	HOLDER		1	
8	594 17 83-01	INDICATOR	INDICATOR Air filter, complete	1	
14	595 11 11-01	SCREW	M6 x 14 mm	3	
15	594 16 92-01	HOUR METER		1	
16	594 12 17-01	SCREW	RXK PHIL ST 2.9 x 6.5 mm	2	
17	595 04 39-01	WASHER		4	
18	595 34 83-01	SCREW		4	
19	595 34 81-01	SOCKET		4	
20	594 17 71-01	ENGINE		1	
23	594 12 59-01	HOSE CLAMP		2	
24	594 16 83-01	HOSE		1	
25	594 16 81-01	HOSE CONNECTOR		1	
26	594 43 76-01	HOSE		1	
27	594 12 27-01	NUT	M12 x 1.25 mm A3K	1	
28	594 16 17-01	CENTRIFUGAL CLUTCH		1	
30	594 59 22-01	STUD	M10 x 47 mm	4	
31	595 03 55-01	NUT	M10 x 1.25 mm	4	
32	594 17 70-01	ENGINE	Honda GXR120RT KRD6	1	
33	595 03 65-01	PLANE WASHER		3	
34	594 46 00-01	KEY		1	

**D** LT 5005  
ENGINE - HONDA GXR 120



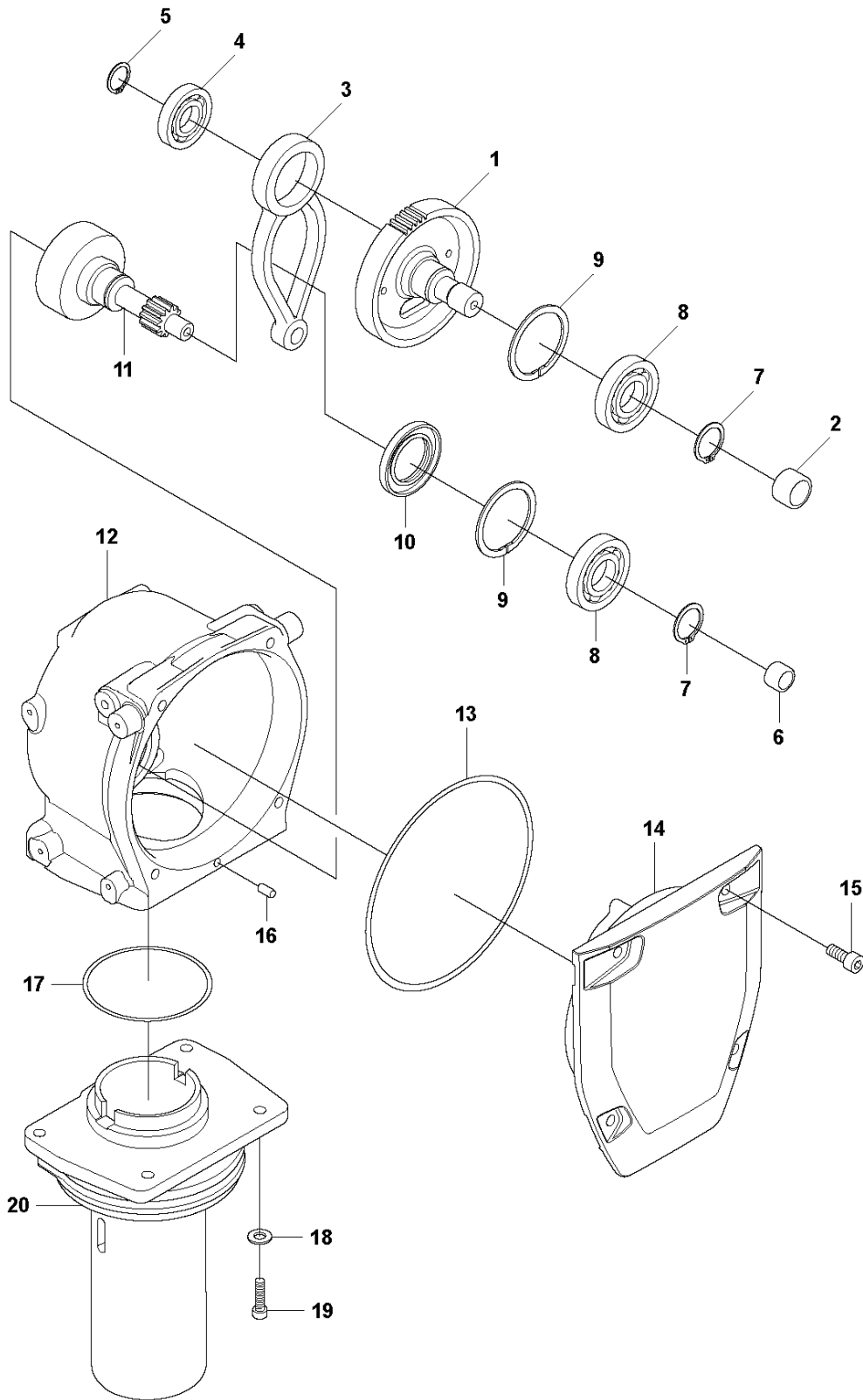


## ENGINE

LT 5005, 967854601, 967854602, 2019-06

Ref	Part No	Description	Remark	QTY	KIT
1	594 17 70-01	ENGINE	ENGINE HONDA GXR 120	1	
3	594 18 99-01	PUMP	Primer	1	1
4	594 19 12-01	COVER	Head	1	1
5	594 19 13-01	BOLT	6x14 (ct200)	1	1
6	595 37 42-01	CAP		1	1
7	595 37 43-01	CAP		1	1
8	594 58 51-01	SPARK PLUG	(cr5hsb)	1	1
9	595 04 89-01	GASKET		1	1
10	595 37 44-01	BOLT	Drain Plug	1	1
11	595 37 24-01	GASKET	Muffler	1	1
12	595 12 90-01	MUFFLER		1	1
13	595 37 23-01	MUFFLER	Complete	1	1
14	594 21 38-01	CARBURETTOR	GXR 120	1	1
15	594 21 56-01	STARTER ASSY	Complete	1	1
16	594 19 02-01	KNOB		1	1, 15
17	594 19 03-01	STARTER ROPE		1	1, 15
18	594 21 56-01	STARTER ASSY	Recoil	1	1, 15
20	594 19 01-01	RECOIL SPRING	Starter	1	1, 15
27	594 18 98-01	SPACER	Starter Mounting	1	1

**E** LT 5005  
TRANSMISSION

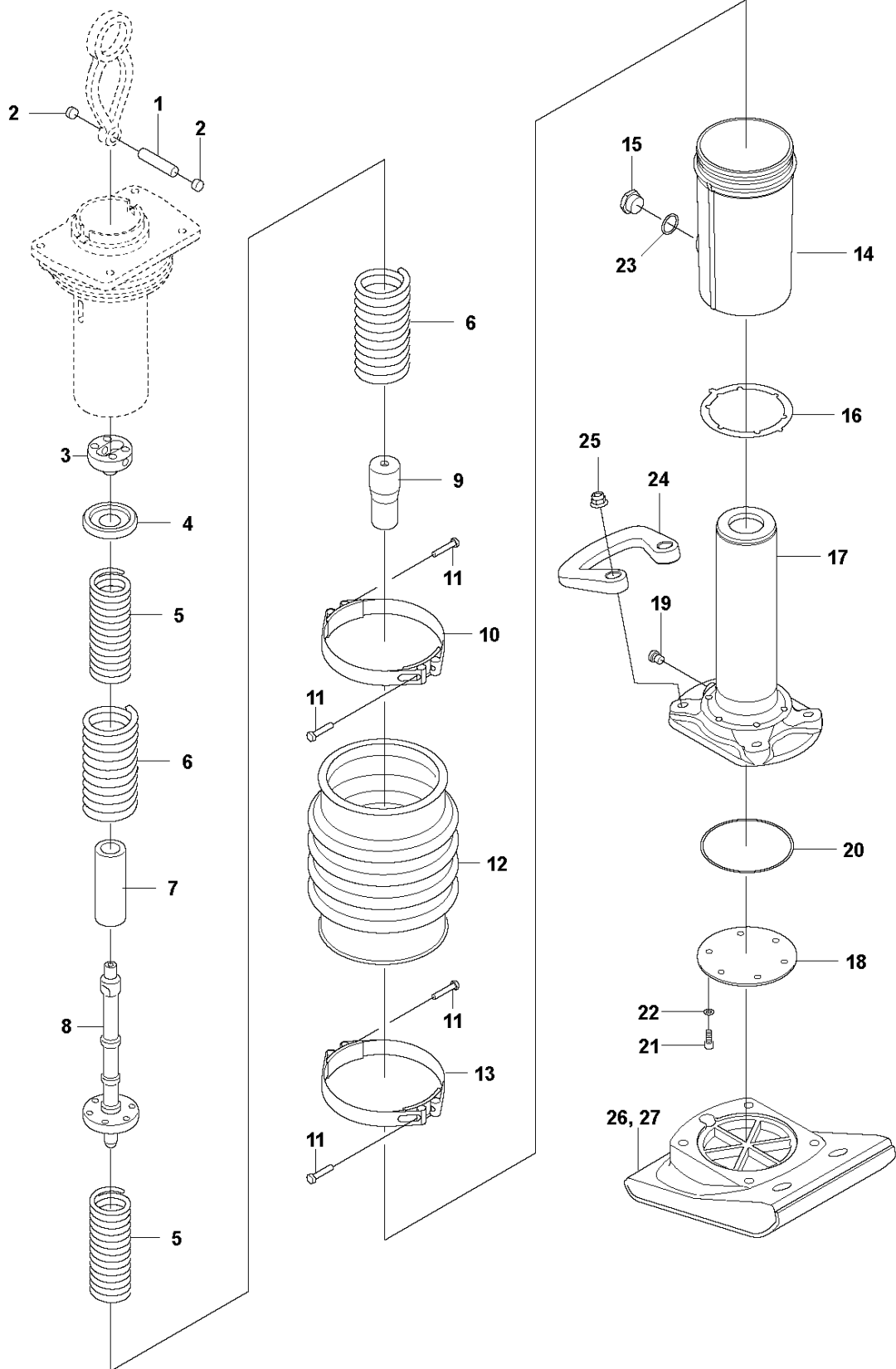


## TRANSMISSION

LT 5005, 967854601, 967854602, 2019-06

Ref	Part No	Description	Remark	QTY KIT
1	594 44 21-01	GEAR WHEEL		1
2	594 53 74-01	ROLLER BEARING		1
3	594 44 22-01	CONNECTING ROD		1
4	594 25 85-01	BALL BEARING		1
5	594 12 47-01	RETAINER RING		1
6	594 53 73-01	ROLLER BEARING		1
7	595 11 40-01	SNAP RING		2
8	594 53 17-01	BALL BEARING		2
9	595 04 62-01	SNAP RING		2
10	594 53 76-01	SEALING		1
11	594 44 40-01	SHAFT		1
12	594 16 69-01	CRANKCASE		1
13	595 35 52-01	O-RING		1
14	595 36 29-01	COVER		1
15	595 17 98-01	SCREW		4
16	594 50 17-01	PIN		1
17	595 11 77-01	O-RING		1
18	594 74 74-01	WASHER		4
19	595 34 87-01	SCREW	M6 (no, M10x35)	4
20	594 48 85-01	TUBE		1

**F** LT 5005  
SPRING UNIT

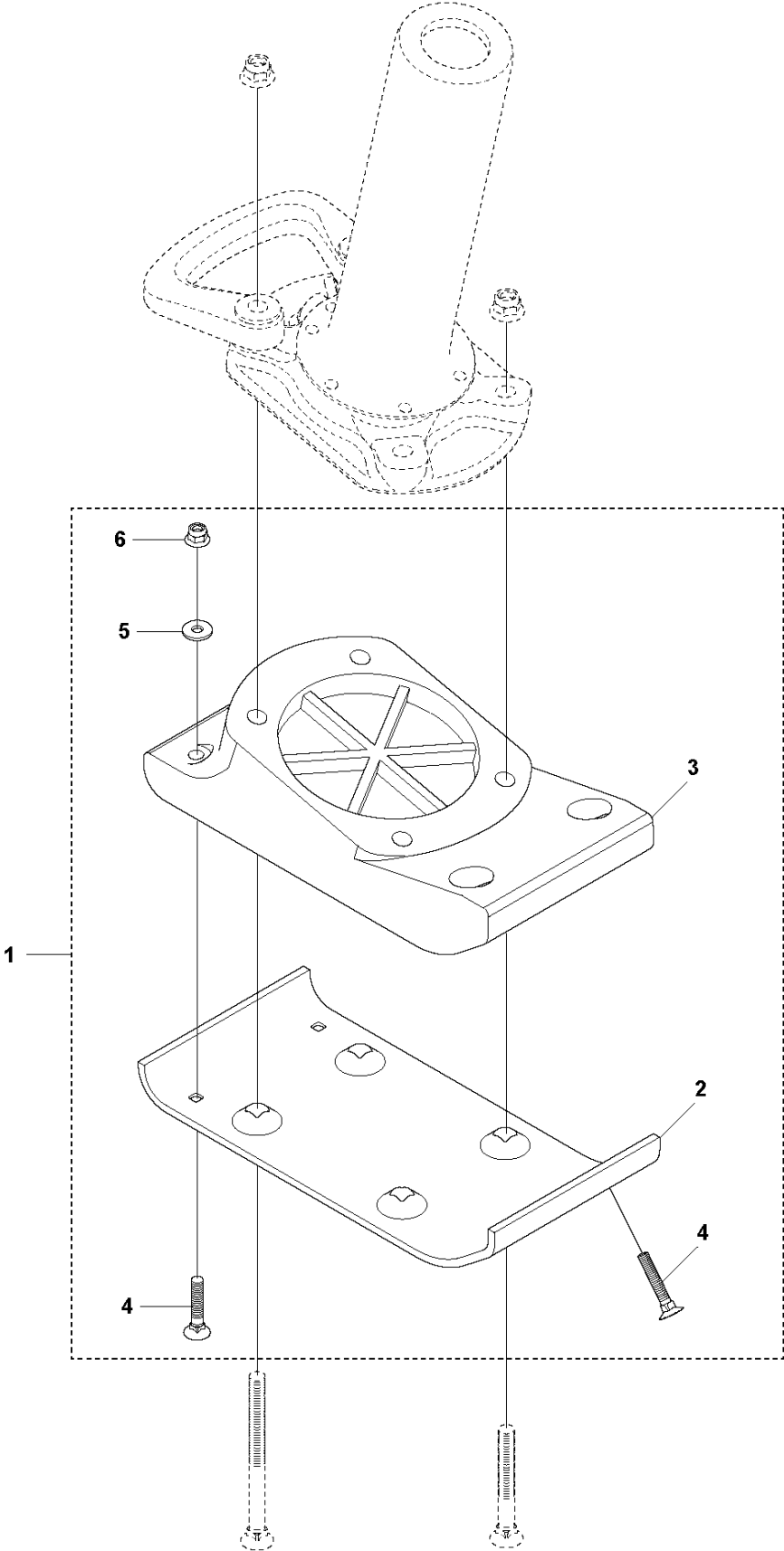


## SPRING UNIT

LT 5005, 967854601, 967854602, 2019-06

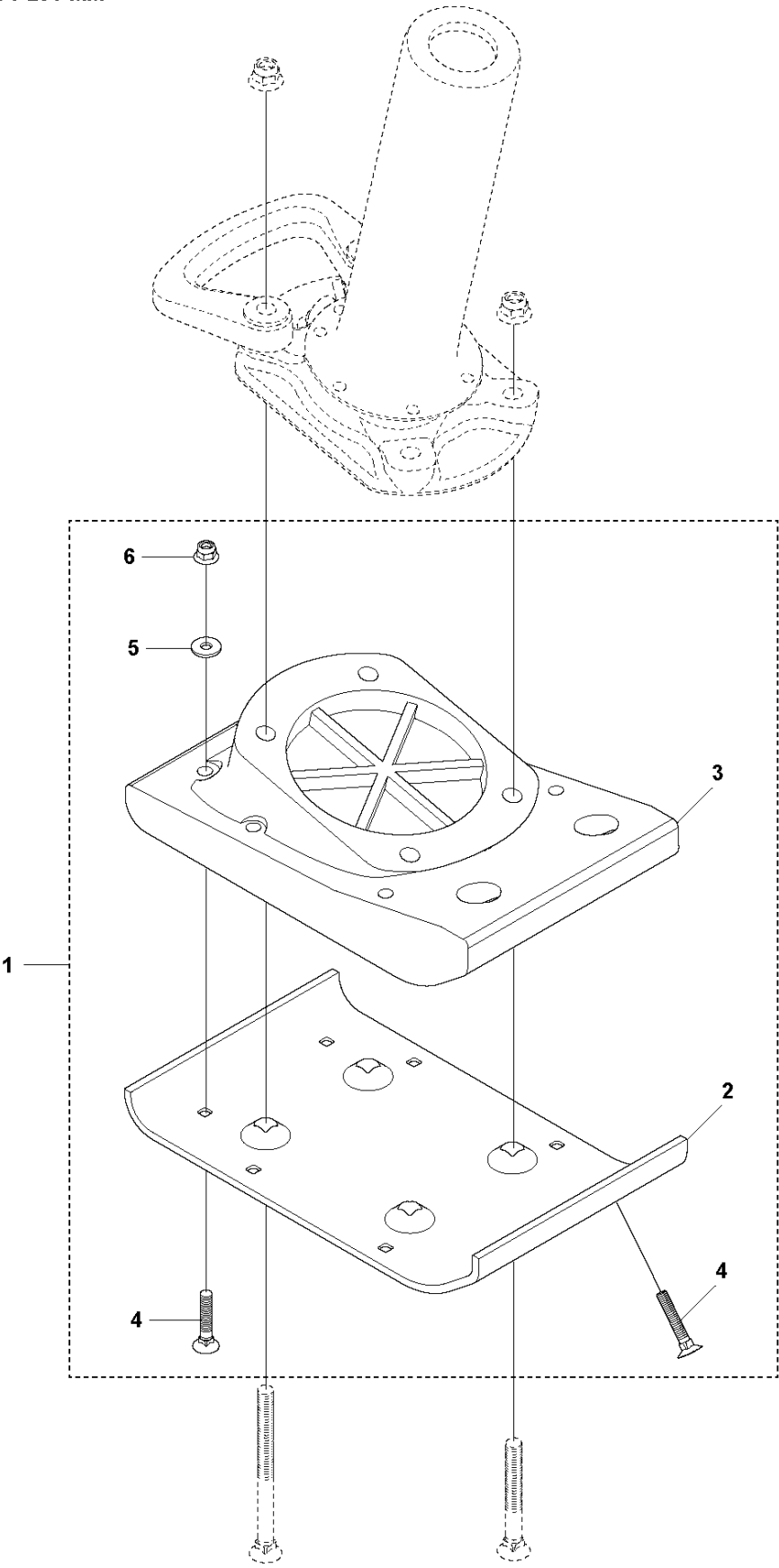
Ref	Part No	Description	Remark	QTY	KIT
1	594 44 41-01	BOLT		1	
2	595 05 22-01	PLUG		2	
3	594 46 14-01	PISTON		1	28
4	594 45 99-01	COVER		1	
5	594 46 13-01	SPRING		2	
6	594 46 12-01	SPRING		2	
7	594 46 18-01	STOP		1	
8	594 46 15-01	PISTON		1	28
9	594 46 17-01	STOP		1	
10	594 49 04-01	CLAMP		1	
11	594 54 63-01	SCREW		4	
12	594 65 19-01	BELLOWS		1	
13	594 49 03-01	CLAMP		1	
14	594 45 97-01	BRACKET		1	
15	594 51 85-01	LEVEL		1	
16	594 46 23-01	GASKET		1	
17	594 45 98-01	TUBE		1	
18	595 17 49-01	COVER		1	
19	594 53 75-01	PLUG		1	
20	595 04 70-01	O-RING		1	
21	595 97 44-01	SCREW	M8 x 50 mm 8.8 A2K	6	
22	594 12 77-01	SEALING WASHER		6	
23	594 51 84-01	WASHER		1	
24	595 05 23-01	HANDLE		1	
25	594 12 33-01	NUT	M12, 10.9	2	
26	594 76 00-01	FOOTPLATE		1	
27	594 19 35-01	FOOTPLATE		1	

**G** LT 5005  
FOOT 150 MM



Ref	Part No	Description	Remark	QTY KIT	
1	594 76 00-01	FOOTPLATE	Ramming Foot Mount 6 inch		
2	594 16 85-01	PLATE	150mm (6 inch)	1	1
3	594 46 19-01	FOOTPLATE	Plastic part	1	1
4	594 12 21-01	BOLT	M8 x 50 mm NYLOK BLUE PATCH(Known as TUF-LOK in Europe)	4	1
5	594 12 34-01	WASHER	8.4 X2 2 X 3 MM	4	1
6	594 12 30-01	LOCK NUT	M8x1,25	4	1

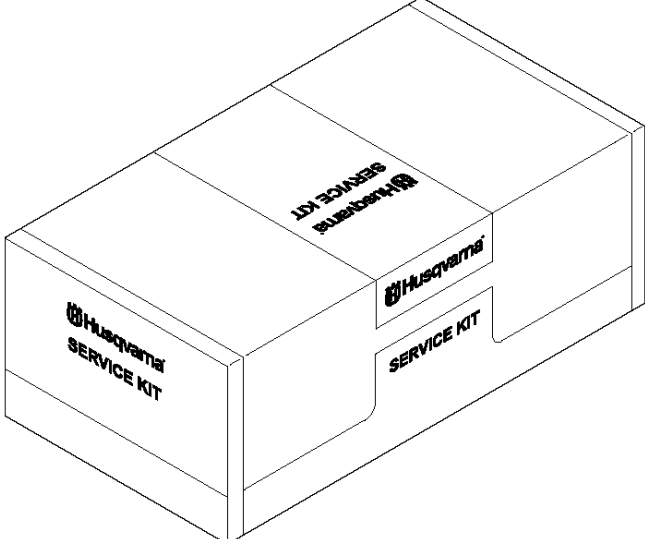
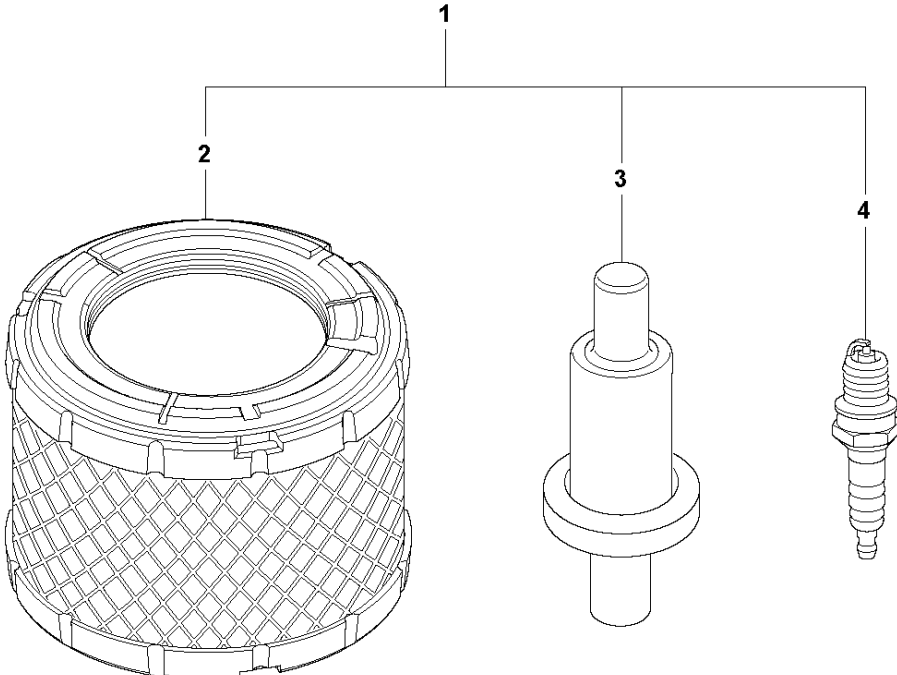
**H** LT 5005  
FOOT 230 MM





Ref	Part No	Description	Remark	QTY KIT	
1	594 19 35-01	FOOTPLATE	Ramming Foot Mount 9 inch 4 bolts		
2	594 16 86-01	PLATE	230mm (9 inch) 4bolts	1	1
3	594 46 22-01	SUPPORT LEG	(Plastic part)	1	1
4	594 12 21-01	BOLT	M8 x 50 mm NYLOK BLUE PATCH(Known as TUF-LOK in Europe)	8	1
5	594 12 34-01	WASHER	8.4 x 22 x 3 mm, 0.33 x 0.87 x 0.12 in. HV300	8	1
6	594 12 30-01	LOCK NUT	M8 x 1.25 mm	8	1

**J** LT 5005  
START UP KIT

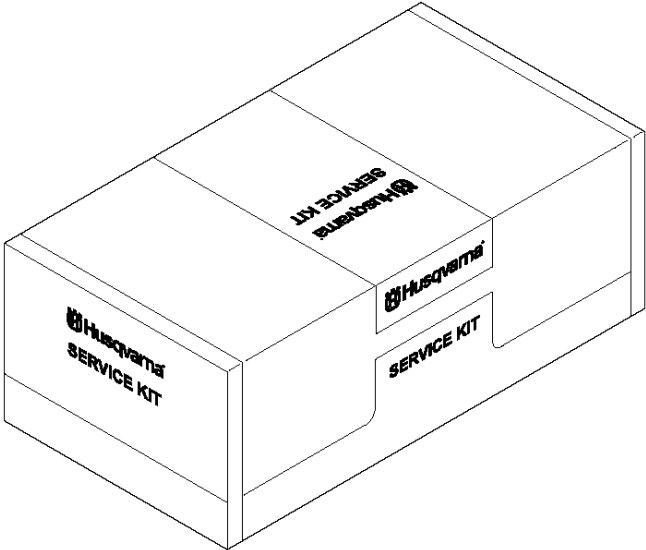
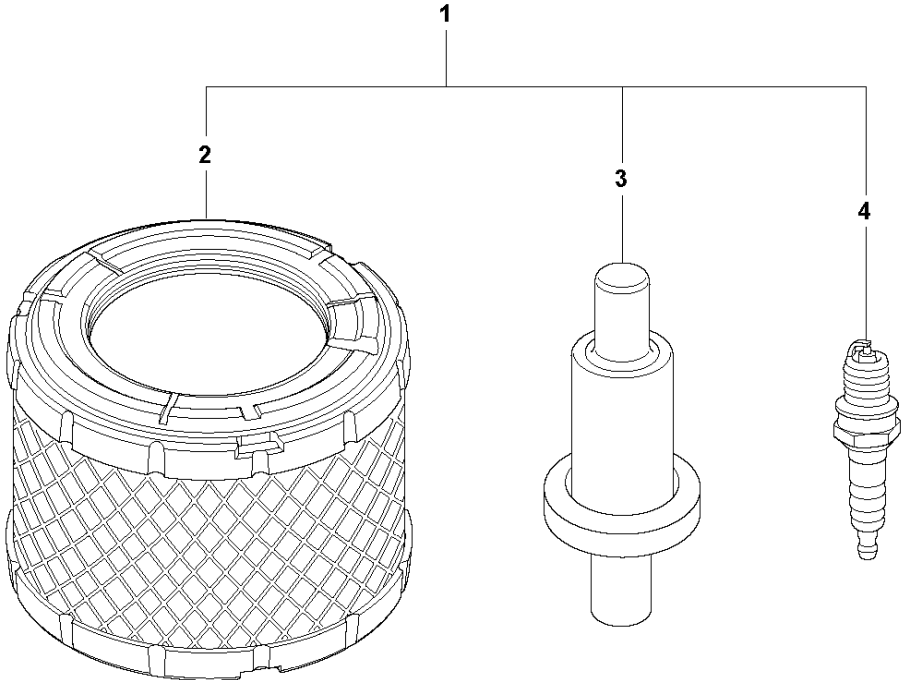


START UP KIT

LT 5005, 967854601, 967854602, 2019-06

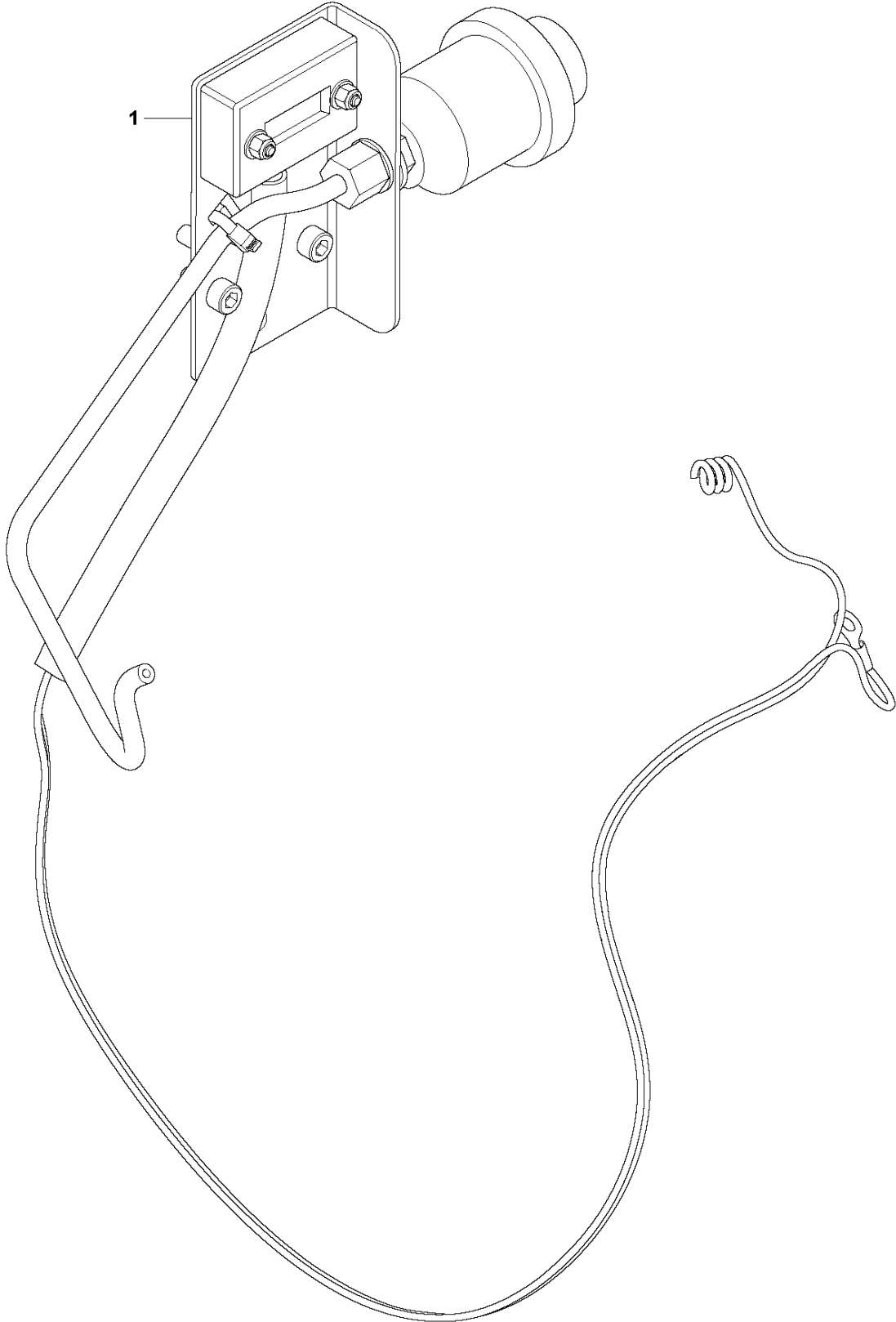
Ref	Part No	Description	Remark	QTY KIT	
1	594 21 45-02	SERVICE KIT		1	
2	594 16 87-01	AIR FILTER		1	1
3	594 18 04-01	FUEL FILTER		1	1
4	594 58 51-01	SPARK PLUG		1	1

**K** LT 5005  
6 MONTHS / EVERY 100 HOURS KIT



Ref	Part No	Description	Remark	QTY KIT	
1	594 21 45-02	SERVICE KIT		1	
2	594 16 87-01	AIR FILTER		3	1
3	594 18 04-01	FUEL FILTER		2	1
4	594 58 51-01	SPARK PLUG		1	1

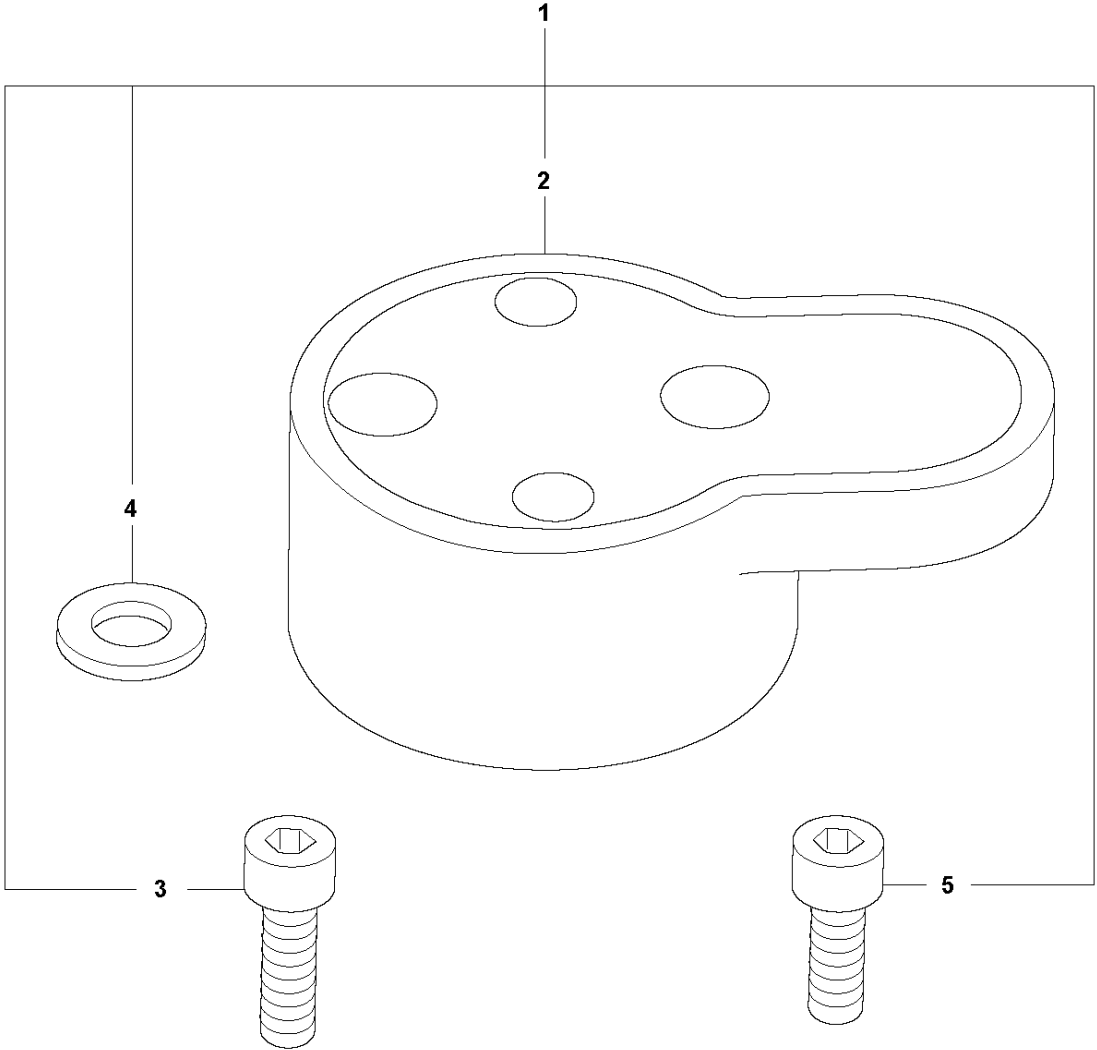
**L** LT 5005  
AIR FILTER INDICATOR & HOUR METER KIT



AIR FILTER INDICATOR & HOUR METER REPAIR KIT LT 5005, 967854601, 967854602, 2019-06

Ref	Part No	Description	Remark	QTY KIT
1	595 36 38-01	INDICATOR		1

**M** LT 5005  
SHOCK ABSORBER REPAIR KIT



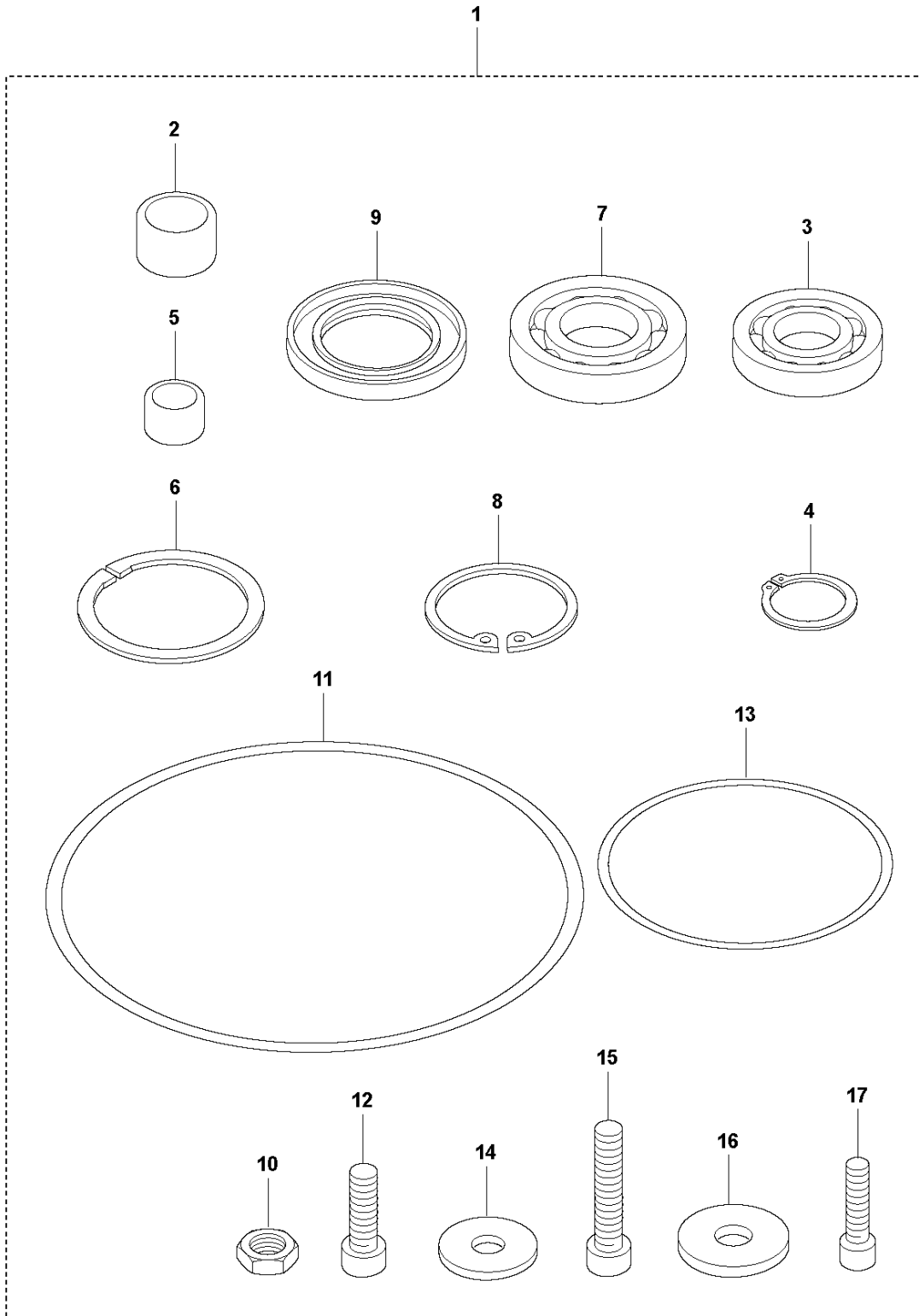


SHOCK ABSORBER REPAIR KIT

LT 5005, 967854601, 967854602, 2019-06

Ref	Part No	Description	Remark	QTY KIT	
1	594 21 13-01	REPAIR KIT		1	
2	594 16 70-01	ABSORBER		2	1
3	595 34 83-01	SCREW		4	1
4	595 03 66-01	WASHER	DIN125	4	1
5	595 03 45-01	SCREW		4	1

**N** LT 5005  
TRANSMISSION REPAIR KIT

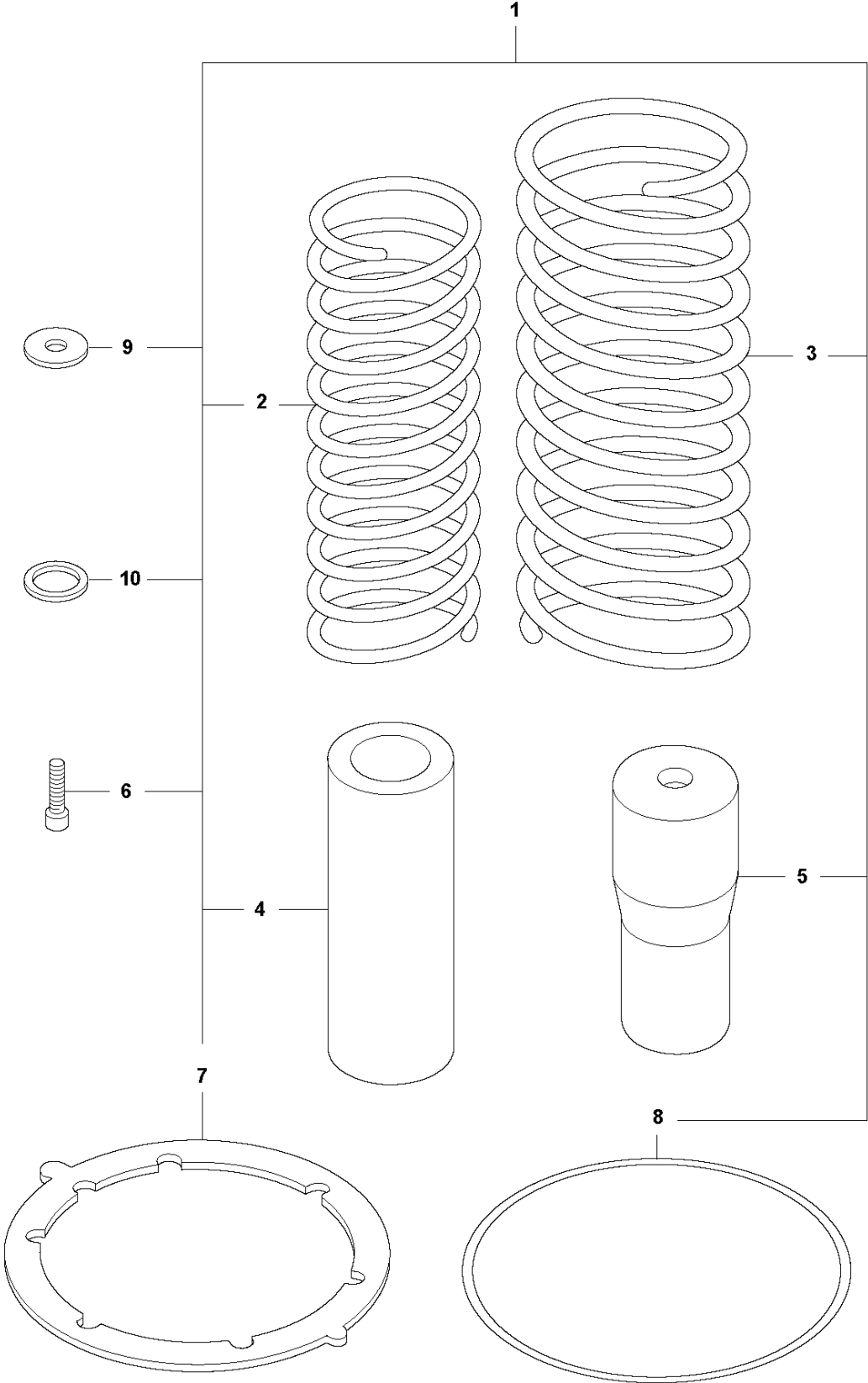


## TRANSMISSION REPAIR KIT

LT 5005, 967854601, 967854602, 2019-06

Ref	Part No	Description	Remark	QTY	KIT
1	594 65 51-01	REPAIR KIT		1	
2	594 53 74-01	ROLLER BEARING		1	1
3	594 25 85-01	BALL BEARING		1	1
4	594 12 47-01	RETAINER RING		1	1
5	594 53 73-01	ROLLER BEARING		1	1
6	595 04 56-01	SNAP RING		2	1
7	594 53 17-01	BALL BEARING		2	1
8	595 35 35-01	CIRCLIP		2	1
9	594 53 76-01	SEALING		1	1
10	594 12 27-01	NUT		1	1
11	595 35 52-01	O-RING		1	1
12	595 11 13-01	SCREW		4	1
13	595 11 77-01	O-RING		1	1
14	594 74 74-01	WASHER		4	1
15	595 34 87-01	SCREW		4	1
16	595 11 29-01	WASHER		1	1
17	595 03 34-01	SCREW		1	1

**P** LT 5005  
SPRING UNIT REPAIR KIT

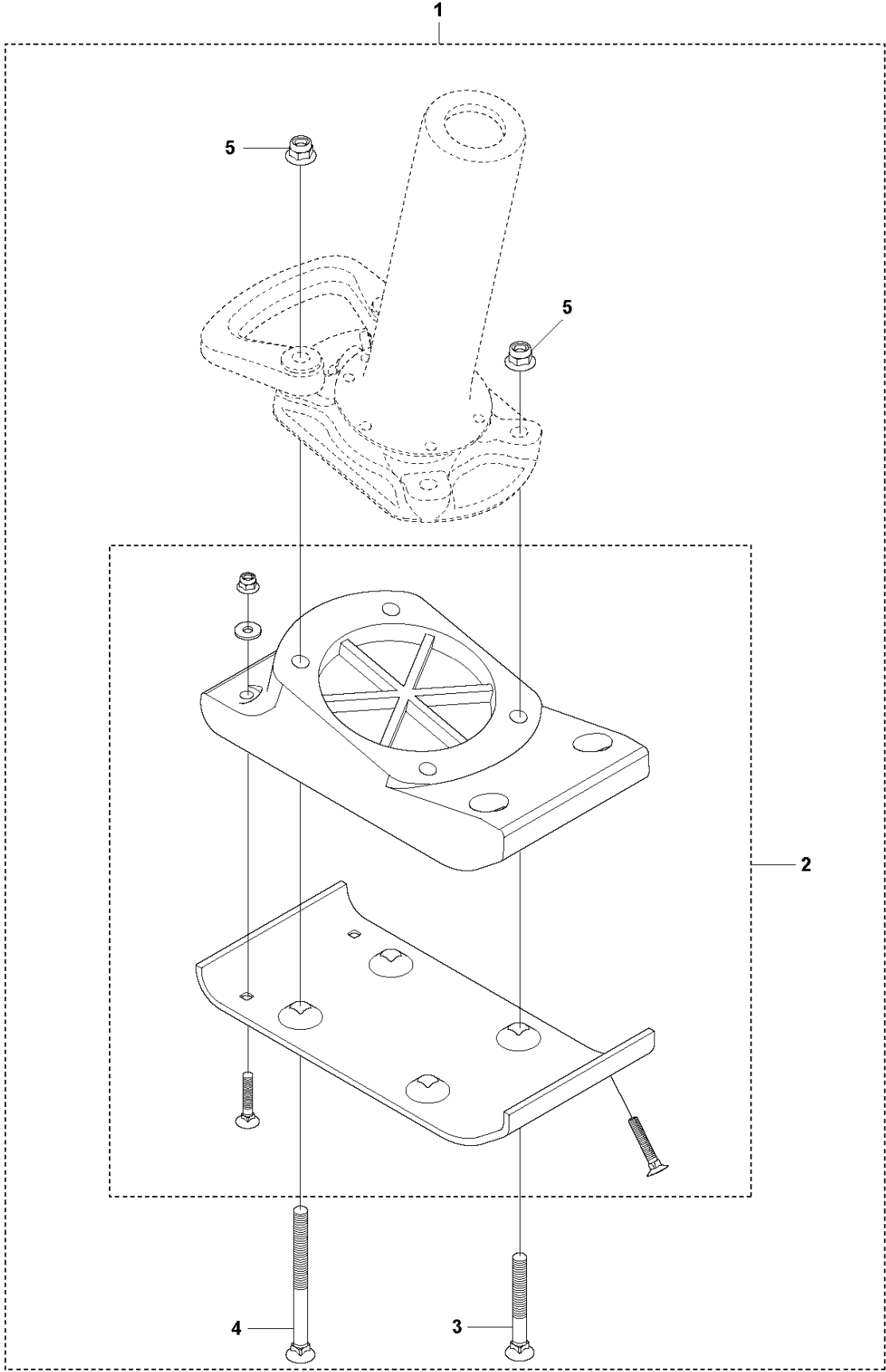


SPRING UNIT REPAIR KIT

LT 5005, 967854601, 967854602, 2019-06

Ref	Part No	Description	Remark	QTY KIT	
1	594 65 71-01	REPAIR KIT		1	
2	594 46 13-01	SPRING		2	1
3	594 46 12-01	SPRING		2	1
4	594 46 18-01	STOP	polyurethane	1	1
5	594 46 17-01	STOP	polyurethane	1	1
6	595 34 83-01	SCREW	M8 x 20 mm 8.8 A2K	6	1
7	594 46 23-01	GASKET		1	1
8	595 04 70-01	O-RING		1	1
9	594 12 77-01	SEALING WASHER		6	1
10	594 51 84-01	WASHER	27 x 32 x 2 mm, 1.06 x 1.26 x 0.08 in.	1	1

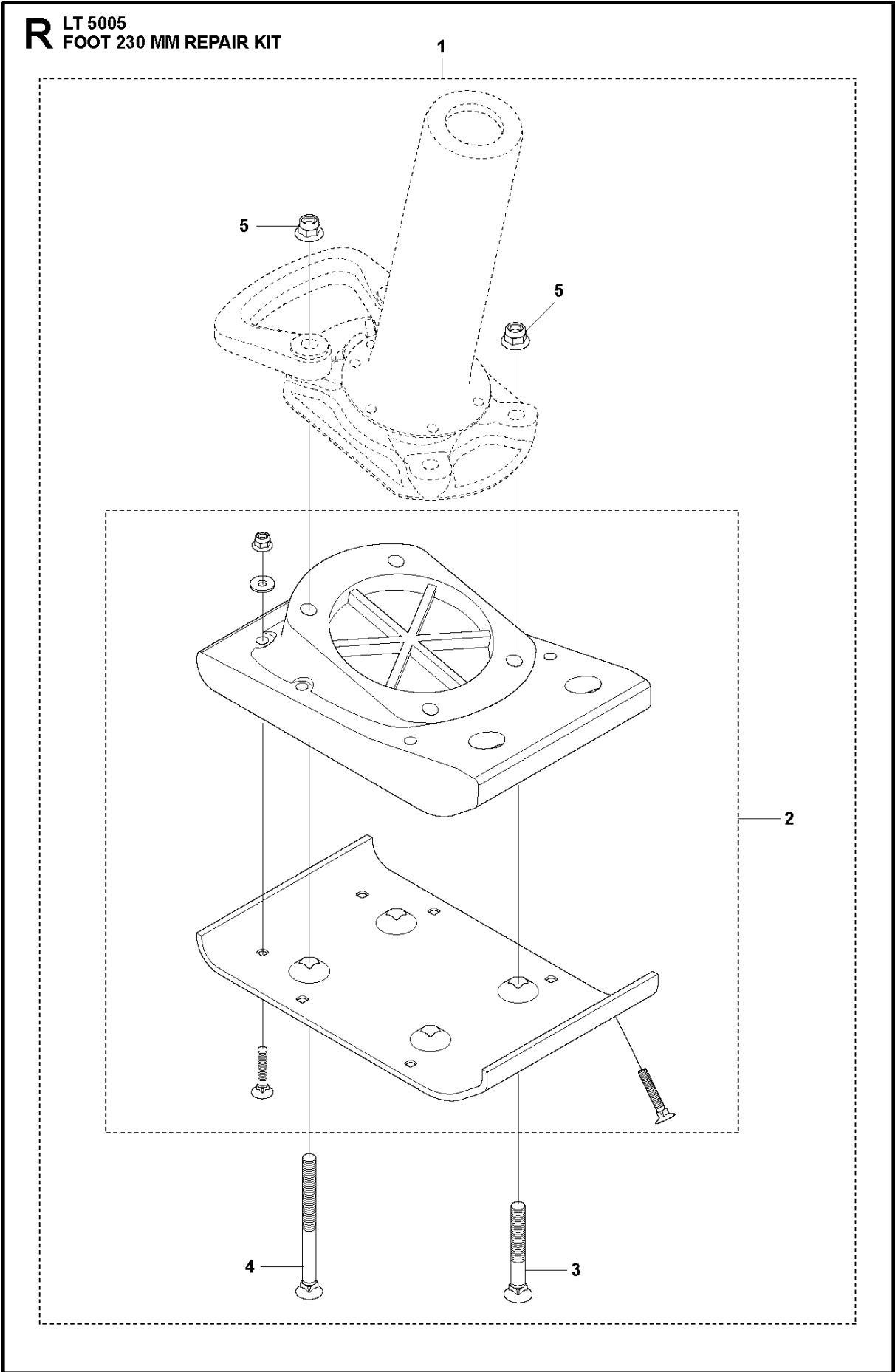
**Q** LT 5005  
FOOT 150 MM REPAIR KIT



## FOOT 150 MM REPAIR KIT

LT 5005, 967854601, 967854602, 2019-06

Ref	Part No	Description	Remark	QTY KIT	
1	594 21 15-01	REPAIR KIT	FOOT 150 MM 6IN. REPAIR KIT	1	
2	594 76 00-01	FOOTPLATE	Ramming Foot Mount 6 in.	1	1
3	594 12 24-01	BOLT	M12x150 din 608	2	1
4	594 12 22-01	BOLT	M12x100 din 608	2	1
5	594 12 32-01	LOCK NUT	M12 x 1.75 mm A3K	4	1



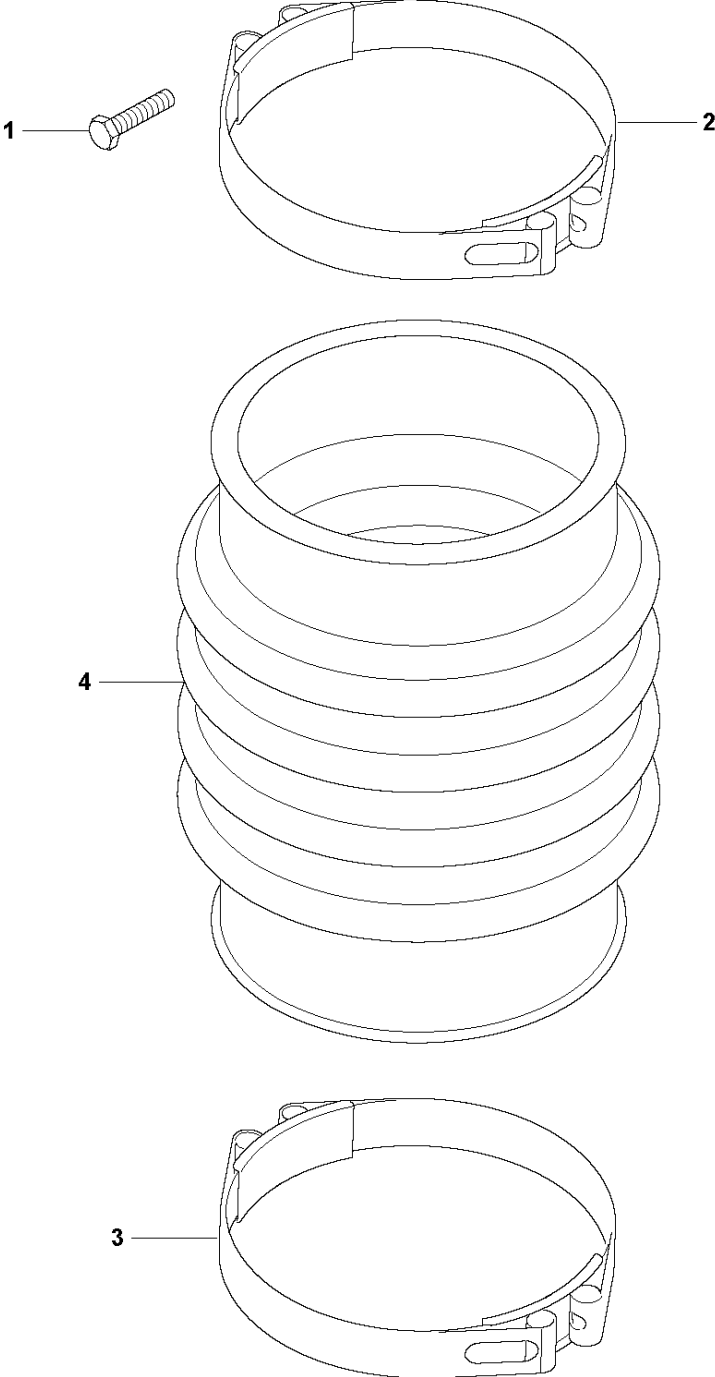


## FOOT 230 MM REPAIR KIT

LT 5005, 967854601, 967854602, 2019-06

Ref	Part No	Description	Remark	QTY KIT	
1	596 76 47-01	FOOTPLATE	FOOT 230MM 9IN. 4B. REPAIR KIT	1	
2	594 19 35-01	FOOTPLATE	Ramming Foot Mount 9 in.	1	1
3	594 12 22-01	BOLT	M12x100 din 608	2	1
4	594 12 24-01	BOLT	M12x150 din 608	2	1
5	594 12 32-01	LOCK NUT	M12 x 1.75 mm A3K	4	1

**S** LT 5005  
REPAIR KIT BELLOWS

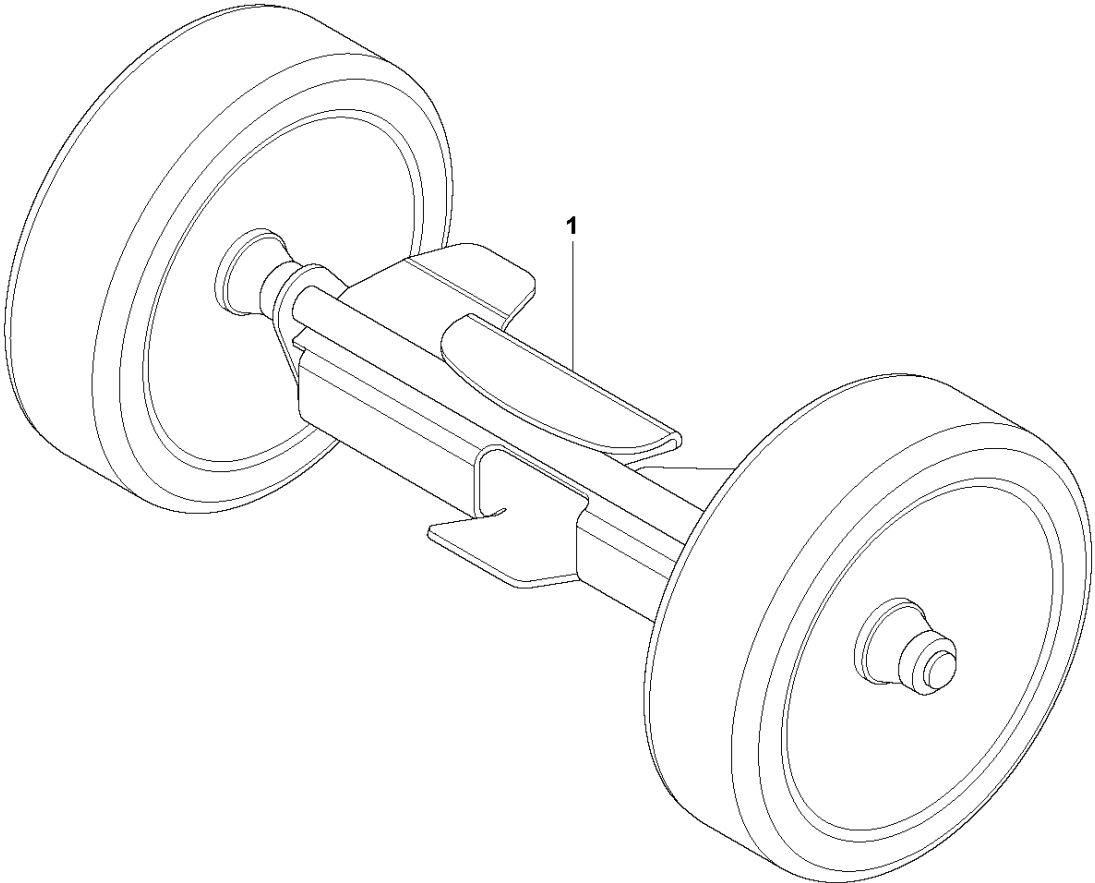


REPAIR KIT BELLOWS

LT 5005, 967854601, 967854602, 2019-06

Ref	Part No	Description	Remark	QTY	KIT
1	594 12 03-01	SCREW		2	
2	594 49 03-01	CLAMP		1	
3	594 49 04-01	CLAMP		1	
4	594 65 19-01	BELLOWS		1	
	595 38 38-01	REPAIR KIT		1	1, 2, 3, 4

**T** LT 5005  
TROLLEY

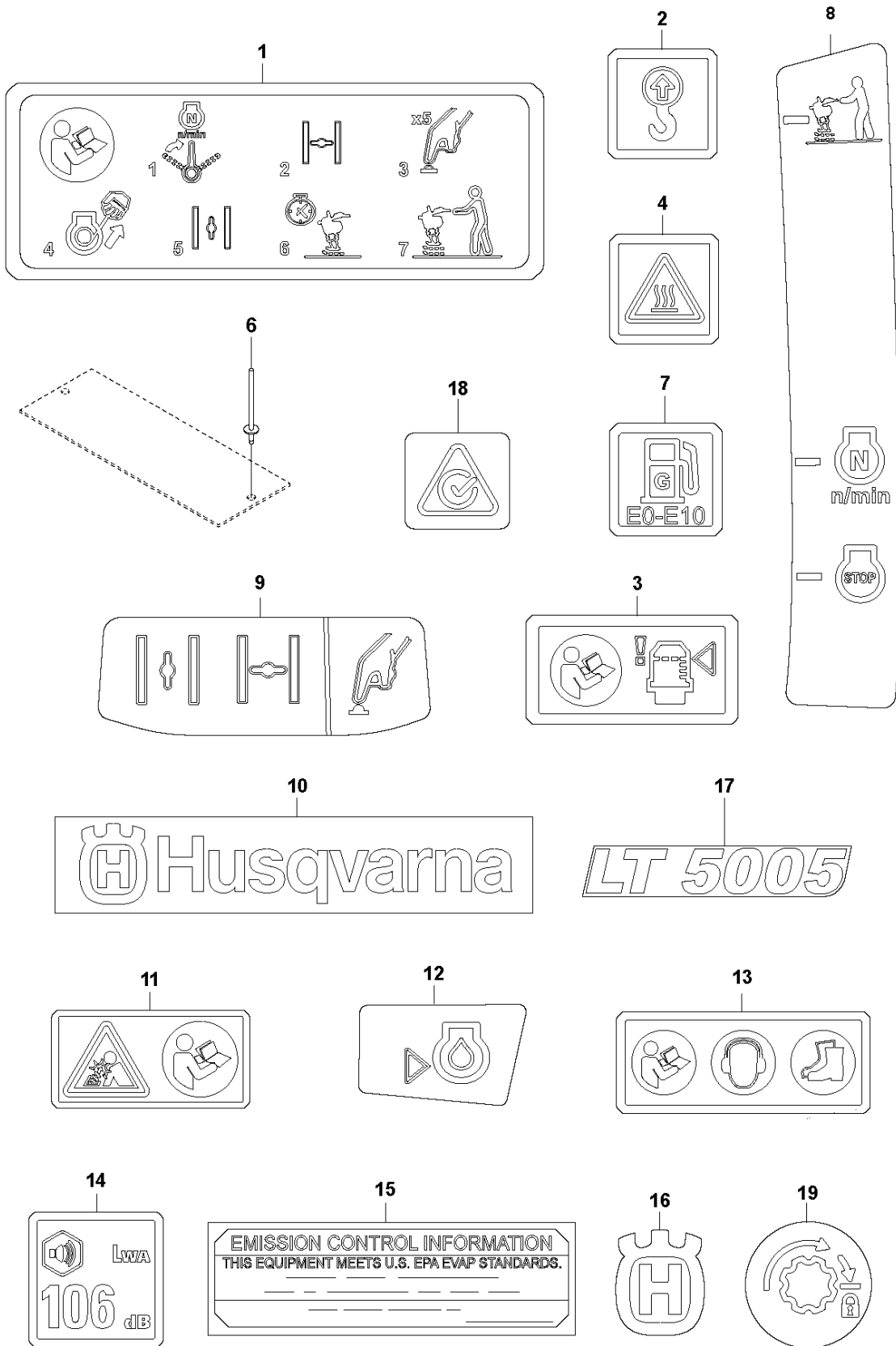


TROLLEY

LT 5005, 967854601, 967854602, 2019-06

Ref	Part No	Description	Remark	QTY KIT
1	596 02 38-01	TRANSPORT		1

**U** LT 5005  
DECALS



## DECALS

LT 5005, 967854601, 967854602, 2019-06

Ref	Part No	Description	Remark	QTY KIT
1	594 66 14-01	LABEL		1
2	594 65 99-01	LABEL		2
3	594 66 00-01	LABEL		1
4	594 65 98-01	LABEL		1
6	595 34 40-01	RIVET		2
7	594 66 02-01	LABEL		1
8	594 66 01-01	LABEL		1
9	594 66 11-01	LABEL		1
10	595 30 76-01	DECAL		2
11	595 51 26-01	DECAL		1
12	594 66 13-01	LABEL		1
13	594 65 96-01	LABEL		1
14	594 66 15-01	DECAL		1
15	597 19 44-01	DECAL		1
16	595 31 98-01	DECAL		1
17	595 09 65-01	DECAL		2
18	596 28 02-01	DECAL		1
19	594 66 18-01	LABEL		1