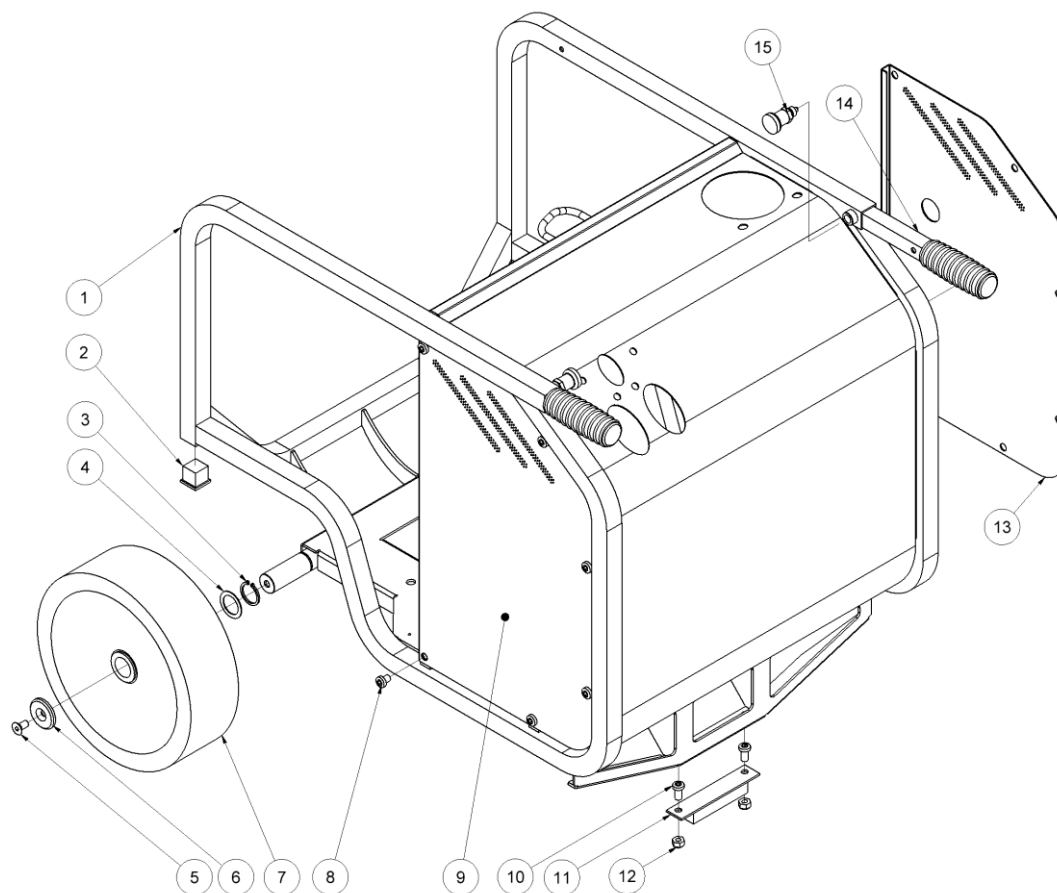


HPP14V FLEX spare parts list

From serial No. 17415

Fig. 1

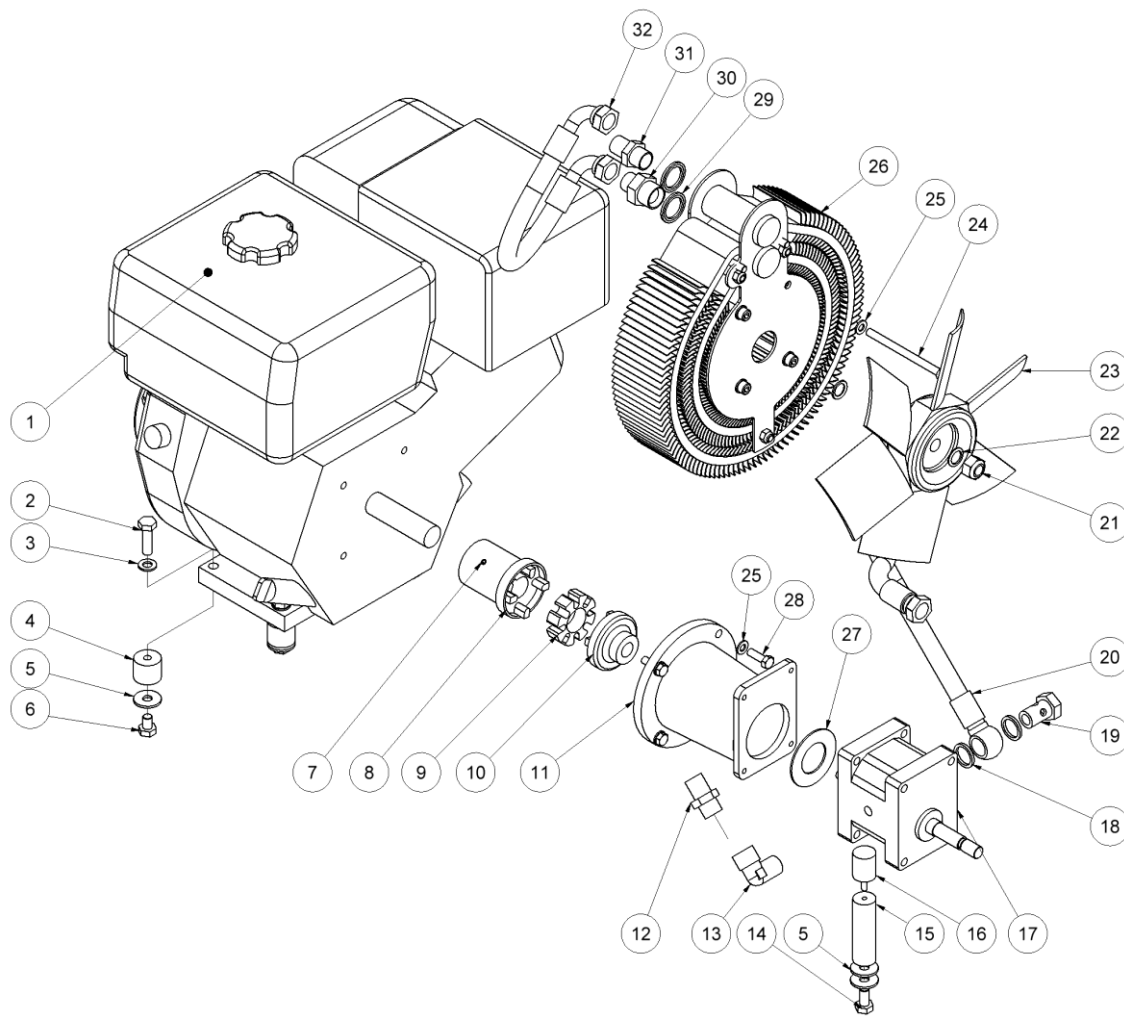


Pos.	Part No.	Description	Pcs.
1	8223316	Chassis complete HPP13/13 FLEX	1
2	7721125	Tube plug 25x25	2
3	7621098	Retaining ring 25x2	2
4	7621100	Shim ring 25/35/1 mm	2
5	7632539	Screw M8x16	2
6	8223321	Wheel lock	2
7	8722384	Flat-free rubber wheel	2
8	7621042	Screw M8x10	12
9	8223320	Side cover Right	1
10	7621044	Screw M8x16	2
11	8721095	Rubber foot	1
12	7621010	Lock nut M8	2
13	8223319	Side cover Left	1
14	9022429	Pull-out handle w/rubber grip	2
15	7721197	Bolt (Loctite 243)	2

HPP14V FLEX spare parts list

From serial No. 17415

Fig. 2

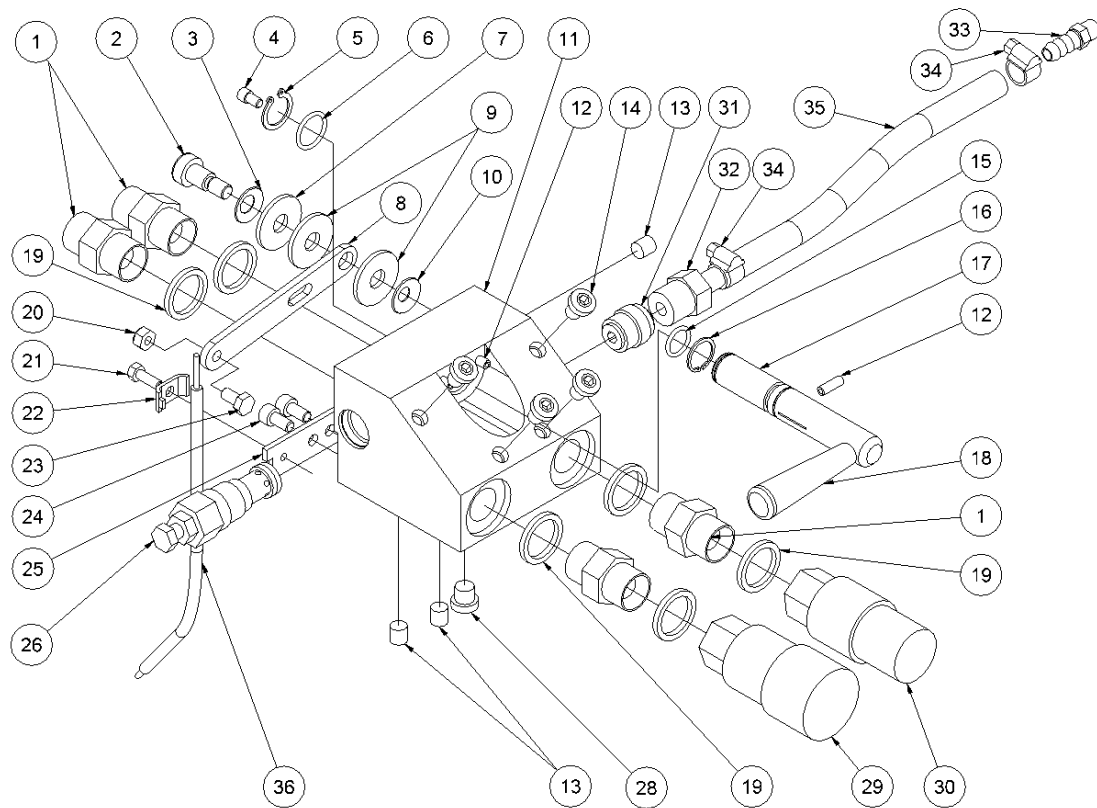


Pos.	Part No.	Description	Pcs.
-	9021667	Seal kit for hydraulic pump	1
1	7323505	Engine 14 HP Vanguard	1
2	7621163	Screw M10x35	4
3	7621172	Washer M10	4
4	8722356	Rubber damper ø30x25	4
5	7621034	Washer M10	6
6	7623324	Screw M10x14	4
7	7621032	Set screw M6x8 (Loctite 243 - 5 Nm)	1
8	7421066	Coupling engine part	1
9	7421083	Rubber coupling	1
10	7421067	Coupling pump (20 Nm)	1
11	7421068	Coupling housing	1
12	7421080	Hose fitting 3/4"x1/2" (Loctite 542)	1
13	7421060	Angle nipple 1/2" (Loctite 542)	1
14	7621334	Screw M10x20 (Loctite 243)	1
15	8221174	Supporting leg	1
16	8721166	Rubber damper M6x18 (Loctite 638)	1
17	7421077	Pump 8.3 ccm	1
18	7521072	Seal ring 1/2"	2
19	7421062	Banjo bolt 1/2" (80 Nm)	1
20	8721084	Feed line w/banjo	1
21	7621111	Nut M14x1.5 (40 Nm)	1
22	7621117	Spring washer M14	2
23	8321561	Fan ø280-6	1
24	7621043	Screw M8x110 (Loctite 243 - 15 Nm)	4
25	7621171	Washer M8	8
26	2121103	Cooler complete	1
27	9922133	Centering washer	1
28	7621038	Screw 5/16" UNFx25 (Loctite 243 - 20 Nm)	4
29	7521118	Seal ring 3/4"	2
30	7421582	Hose fitting 3/4"x1/2"	1
31	7421079	Hose fitting 3/4"x1/2"	1
32	8721630	Cooler pressure hose	1

HPP14V FLEX spare parts list

From serial No. 17415

Fig. 3

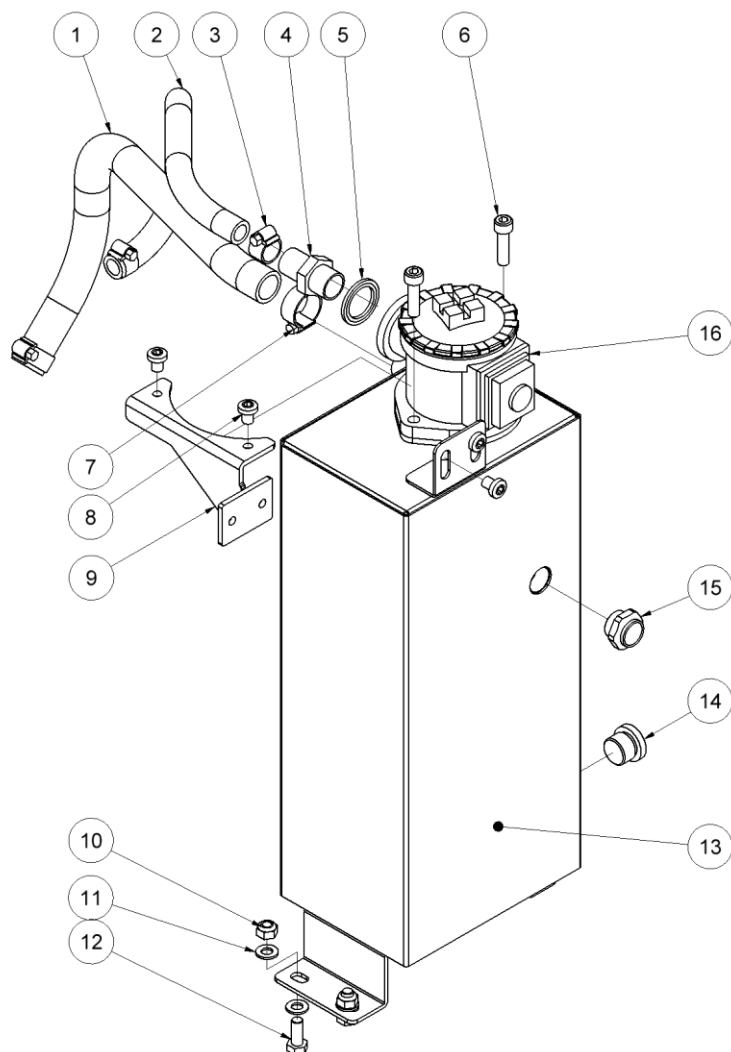


Pos.	Part No.	Description	Pcs.
-	2123508	Valve block complete HPP14 FLEX	1
1	7421063	Fitting 1/2"x1/2" BSP	4
2	7621647	Shoulder bolt $\varnothing 10/M8 \times 12$ (Loctite 638 - 20 Nm)	1
3	7621648	Disc spring $\varnothing 10.2/\varnothing 20 \times 0.8$	1
4	8621658	Screw M5x8 (Loctite 638)	1
5	7621606	Retaining ring A17	1
6	7521609	O-ring 17x2 mm	1
7	7621809	Washer 10x30x2	1
8	8221650	Eccentric plate (Grease with copper paste)	1
9	7621649	Nylon washer $\varnothing 10.5/30/2.5$	2
10	7621651	Disc spring $\varnothing 8.2/\varnothing 20 \times 1.0$	1
11	8221731	Valve block	1
12	7621050	Roll pin $\varnothing 5 \times 14$	3
13	7621037	Pipe plug 1/8" (Loctite 243)	3
14	7621044	Screw M8x16	4
15	7521608	O-ring 13x2 mm	1
16	7621607	Retaining ring AV17	1
17	8223498	Spool	1
18	7721094	Lever ON/OFF (Loctite 243)	1
19	7521072	Seal ring 1/2"	6
20	7621029	Nut M6	1
21	9921656	Screw M5	1
22	9921657	Cable clamp	1
23	8221652	Screw	1
24	7621653	Screw M6x12 (Loctite 243)	2
25	8221655	Cable plate	1
26	7421587	Pressure relief valve (40 Nm)	1
28	7621323	Threaded plug 1/8" w/seal	1
29	7401142	Q.R. coupling 1/2" BSP female	1
30	7401141	Q.R. coupling 1/2" BSP male	1
31	7421733	Check valve	1
32	7421735	Hose fitting 3/8"x1/2" (Loctite 542)	1
33	7421734	Hose fitting 3/8"x1/8"	1
34	7421740	Hose clip 3/8"	2
35	9021738	Hose 3/8"	1
36	9022064	Throttle cable complete	1

HPP14V FLEX spare parts list

From serial No. 17415

Fig. 4

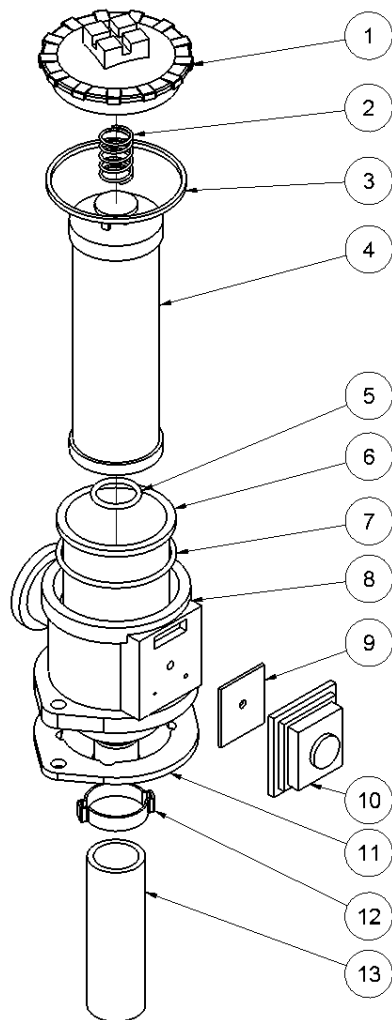


Pos.	Part No.	Description	Pcs.
1	8721071	3/4" hose	1
2	8721070	1/2" hose	1
3	7421081	Hose clip 1/2"	2
4	7421079	Hose fitting 1/2"x3/4"	1
5	7521118	Seal ring 3/4"	1
6	7621045	Screw M8x30 (Loctite 243)	2
7	7421082	Hose clip 3/4"	2
8	7621042	Screw M8x10	4
9	8223318	Tank Bracket	1
10	7621010	Lock nut M8	4
11	7621171	Washer M8	8
12	7632766	Screw M8x20	4
13	8223317	Hydraulic tank	1
14	7621075	Threaded plug 1/2" w/seal	1
15	7721099	Sight glass 1/2" w/seal	1
15	7621049	Screw M8x45	1
16	8421092	Filter complete (See fig.5)	1

HPP14V FLEX spare parts list

From serial No. 17415

Fig. 5



Pos.	Part No.	Description	Pcs.
1	9421189	Filter cover	1
2	9421193	Filter spring	1
	9421502	Seal f/filter cover (Also included in 9421188)	1
4	9421190	Filter element	1
5	-	O-ring ø3x22 (Included in 9421188)	1
6	-	Filter cup	1
7	-	O-ring ø3x60 (Included in 9421188)	1
8	-	Filter housing	1
9	9422041	Ventilation filter	1
10	9422042	Cover f/ventilation filter	1
11	-	Seal (Included in 9421188)	1
12	7621789	Hose clamp	1
13	9022043	Filter hose	1
-	9421188	Seal kit filter (Pos. 3, 5, 7 and 11)	1
-	8421092	Filter complete (Pos. 1-13)	1

HPP14V FLEX spare parts list

From serial No. 17415

Labels

Figure 1



Figure 2



Figure 3



Figure 4

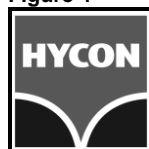


Figure 5



Figure 6

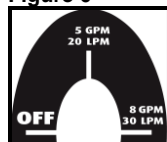


Fig. nr.	Part No.	Description	Pcs.
1	8921128	Petrol	1
2	8921052	Hycon name	1
3	8921053	Starting instructions petrol	1
4	8923117	Label "Hycon"	1
5	8923507	HPP14	1
6	8921793	Flow 20-30 lpm – 5-8 gpm	1