

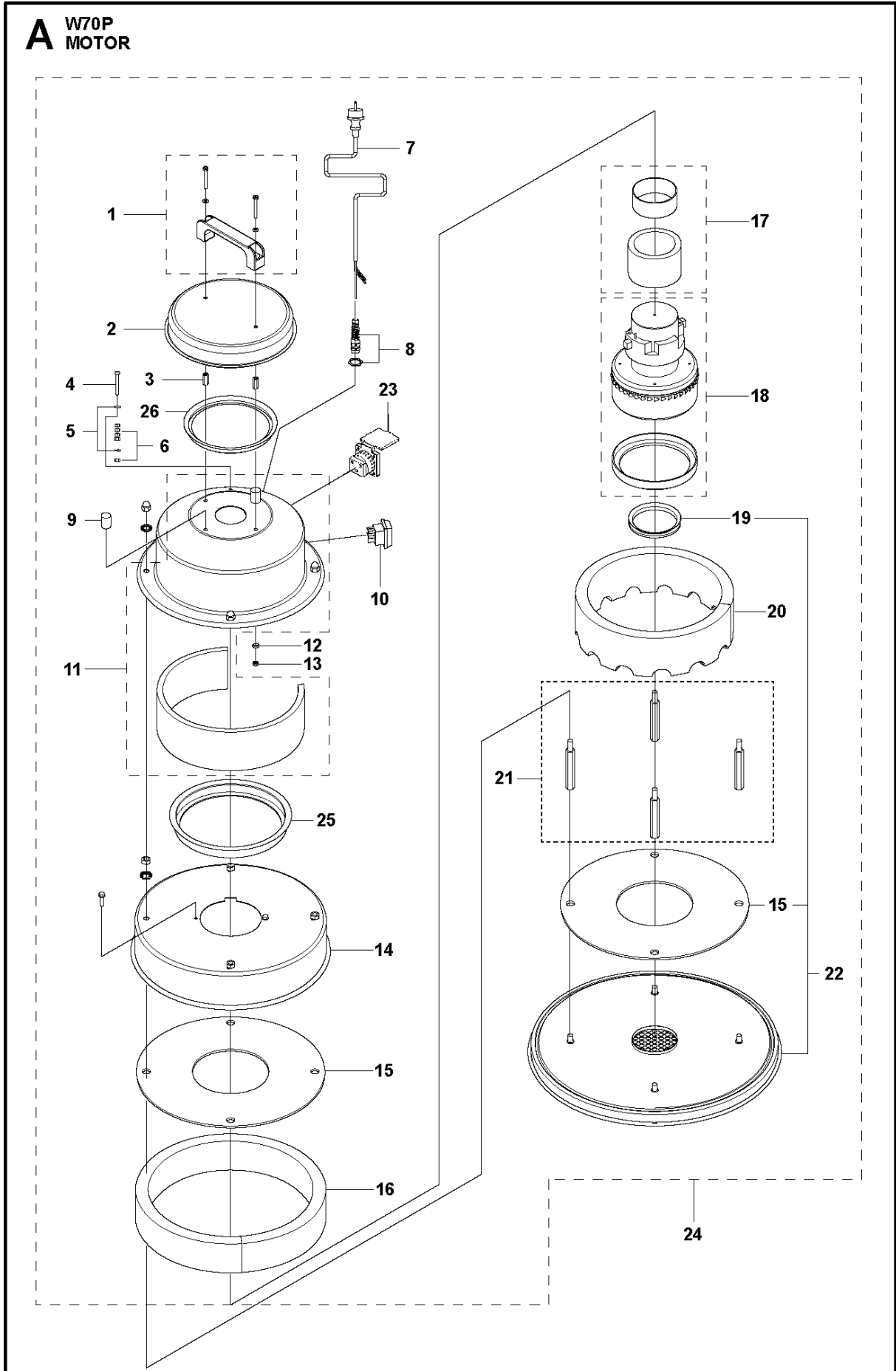


SPARE PARTS LIST

DUST AND SLURRY MANAGEMENT

W 70 P, 2019-11

A W70P
MOTOR

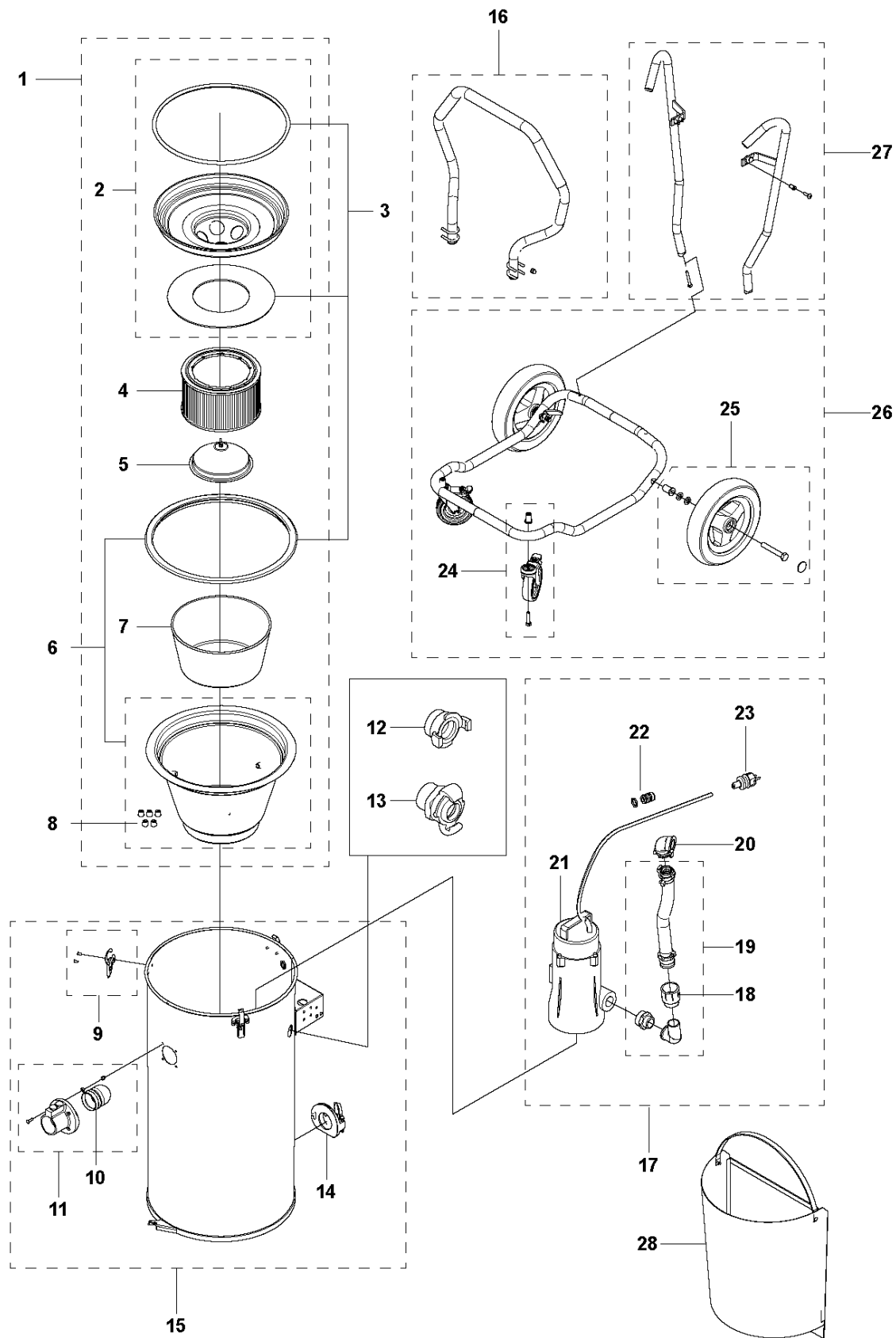


MOTOR

W 70 P, 2019-11

Ref	Part No	Description	Remark	QTY KIT
1	590 47 05-01	HANDLE KIT		1
2	590 47 06-01	CAP		1
3	591 76 51-01	NUT		2
4	591 76 18-01	SCREW		1
5	591 76 02-01	WASHER		2
6	591 75 97-01	NUT		7
7	593 71 74-03	POWER CORD	EU	1
7	593 71 74-06	POWER CORD	US	1
7	593 71 74-01	POWER CORD	AUS	1
7	593 71 74-10	POWER CORD	BR	1
7	593 71 74-04	POWER CORD	UK	1
8	590 39 95-01	CABLE GROMMET	UK / US	1
8	590 40 25-01	CABLE GROMMET	RoW	1
9	591 75 09-01	SPACER		2
10	591 53 72-01	BUTTON		2
11	590 49 87-02	HOUSING ASSY		1
12	735 11 46-01	SPRING WASHER		3
13	591 75 97-01	NUT		7
14	591 71 71-02	HOUSING		1
15	591 73 15-01	PACKING		2
16	591 73 14-01	INSULATION		1
17	590 47 04-01	SEAL KIT		1
18	590 47 19-01	MOTOR KIT	120V	1
18	591 90 65-01	ENGINE	230V	1
19	591 73 07-01	V-RING		1
20	590 46 98-01	INSULATION		1
21	590 47 03-01	SPACER		1
22	590 47 02-01	TANK CAP		1
23	590 39 63-01	ELECTRICAL SYSTEM		1
24	591 58 88-05	UNIT	US	1
24	591 58 88-06	UNIT	AUS	1
24	591 58 88-07	UNIT	BR	1
24	591 58 88-08	UNIT	EU	1
24	591 58 88-10	UNIT	UK	1
25	599 14 34-01	GASKET		1
26	599 14 33-01	GASKET		1

B W70P
TANK

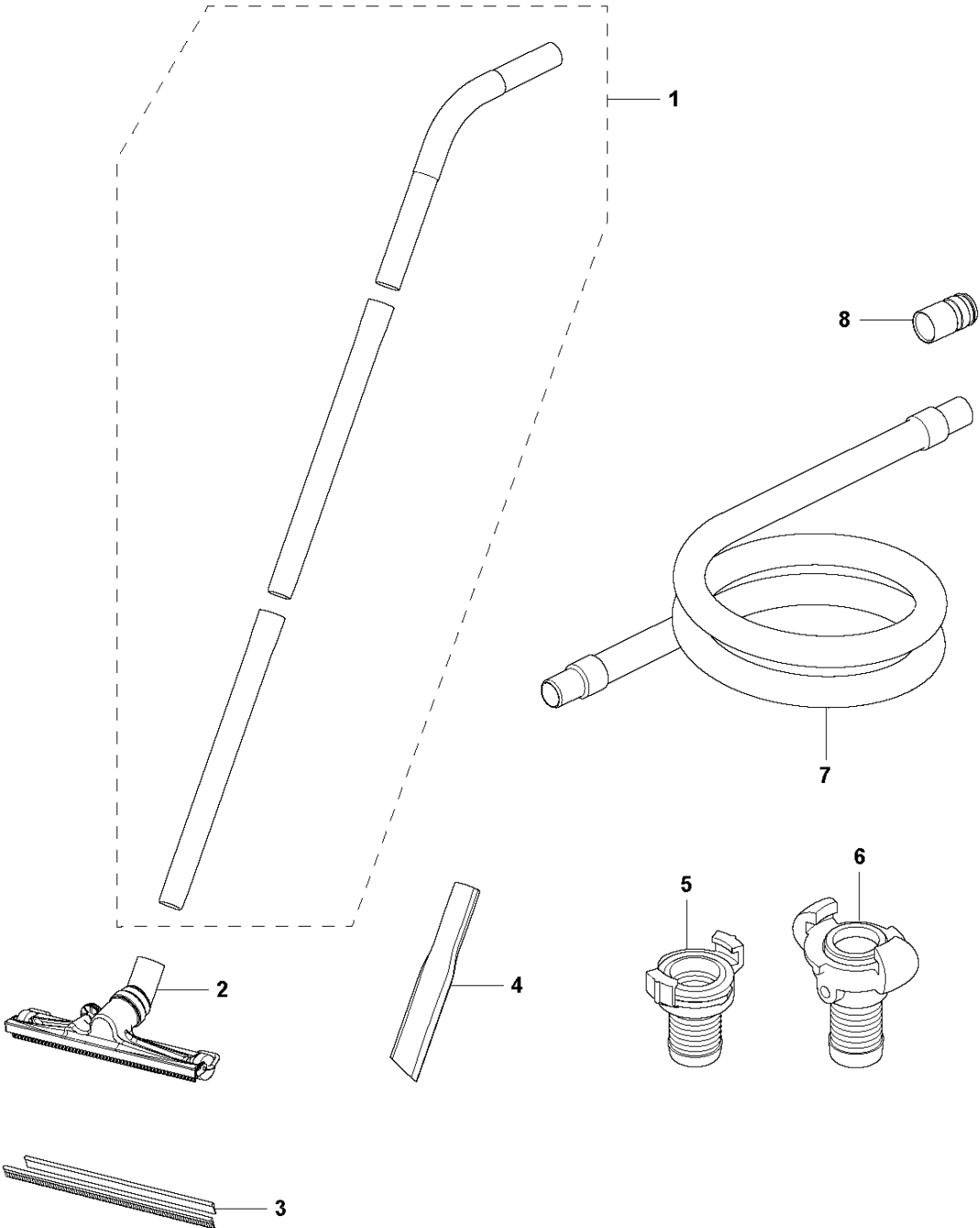


TANK

W 70 P, 2019-11

Ref	Part No	Description	Remark	QTY	KIT
1	590 46 93-01	FILTER		1	
2	590 47 09-01	FILTER		1	1
3	590 47 01-01	SEAL KIT		1	1
4	590 43 89-01	FILTER		1	1
4	598 40 01-01	FILTER	Hepa filter, optional	1	
5	590 47 10-01	CAP		1	1
6	590 47 00-01	TUBE		1	1
7	590 47 57-01	FLOAT		1	1
8	590 47 11-01	PLUG KIT		1	6
9	590 39 64-01	HOLDER KIT		3	15
10	590 46 96-01	SCOOP		1	11
11	590 46 95-01	INLET		1	15
12	591 70 98-01	HOSE COUPLING		1	15
13	591 71 25-01	HOSE COUPLING		1	15
14	590 47 13-02	COVER KIT		1	15
15	590 48 11-02	TANK		1	
16	590 47 08-01	HANDLE		1	
17	590 47 21-01	PUMP KIT		1	
18	590 47 15-01	VALVE KIT		1	19
19	590 47 16-01	HOSE KIT		1	17
20	590 47 18-01	HOSE COUPLING		1	17
21	590 46 97-01	PUMP	120V	1	17
21	590 43 51-01	PUMP	230V	1	17
22	590 47 17-01	CORD BRACKET		1	17
23	591 79 02-01	PLUG		1	17
24	590 39 72-01	WHEEL KIT		1	26
25	590 39 70-01	REAR WHEEL		1	26
26	590 47 12-02	FRAME		1	
27	590 47 07-01	PROTECTION		1	
28	590 47 14-01	STRAINER		1	

C W70P
ACCESSORIES

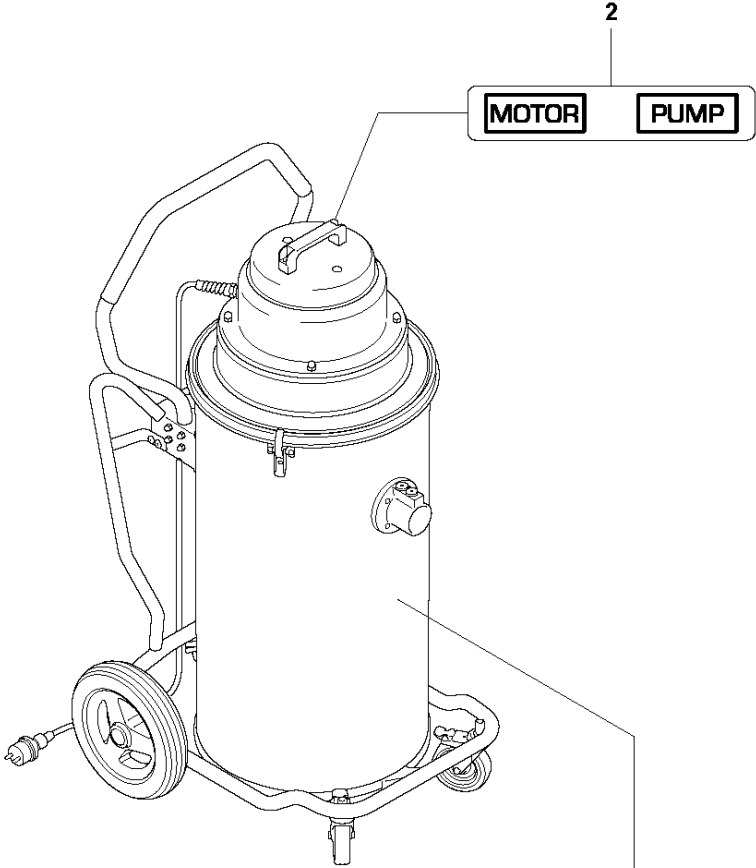


ACCESSORIES

W 70 P, 2019-11

Ref	Part No	Description	Remark	QTY KIT
1	590 42 86-01	TOOL		1
2	591 99 27-01	NOZZLE		1
3	590 42 85-01	TOOL		1
4	590 42 82-01	TOOL		1
5	591 70 96-01	COUPLING	GEKA	1
6	591 71 24-01	COUPLING	ATLAS	1
7	590 42 79-01	HOSE KIT		1
8	590 43 75-01	HOSE		1

D W70P
DECALS



DECALS

W 70 P, 2019-11

Ref	Part No	Description	Remark	QTY KIT
1	590 74 99-14	DECAL		1
2	592 00 20-01	DECAL		1