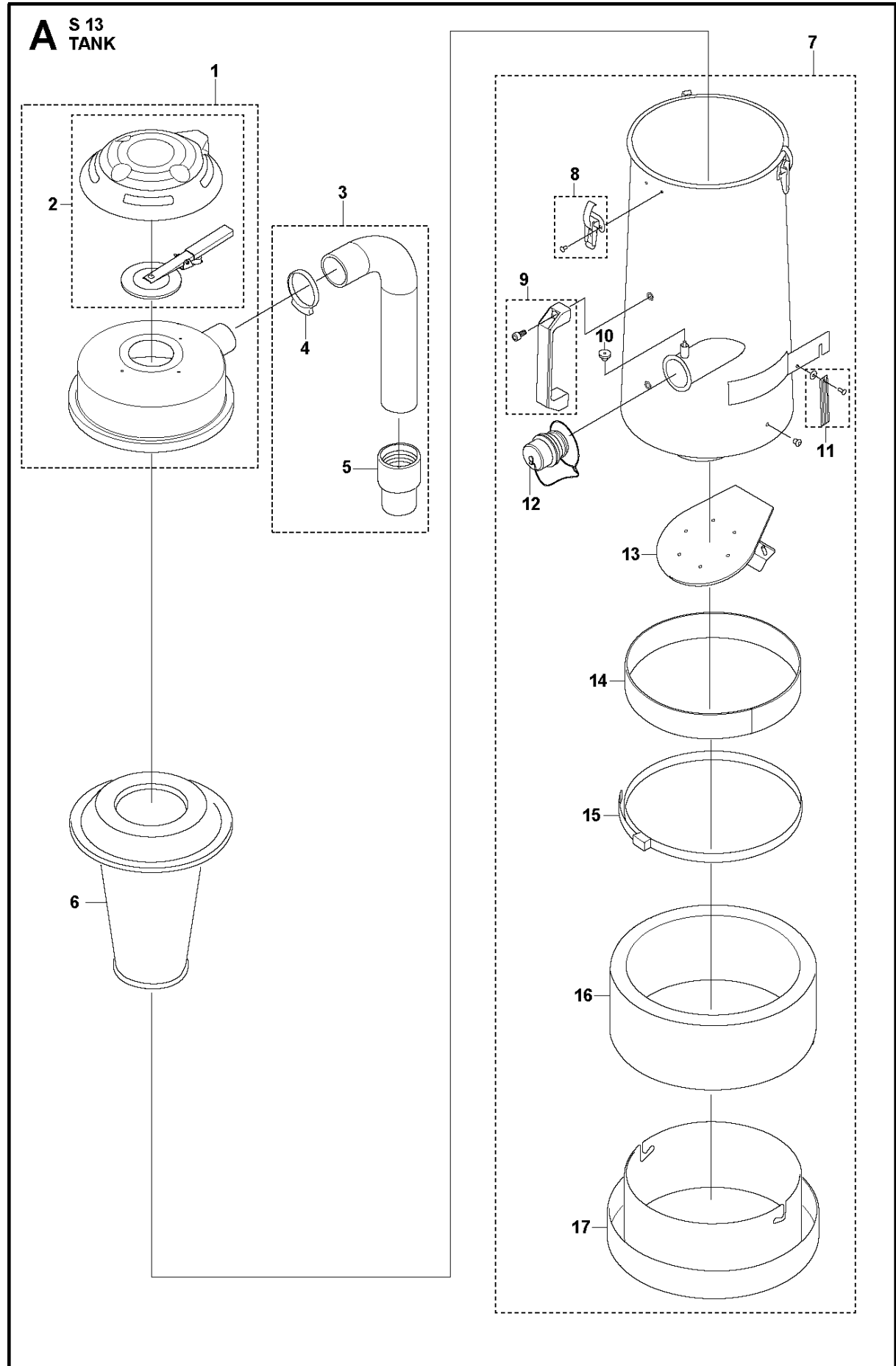




SPARE PARTS LIST

DUST AND SLURRY MANAGEMENT

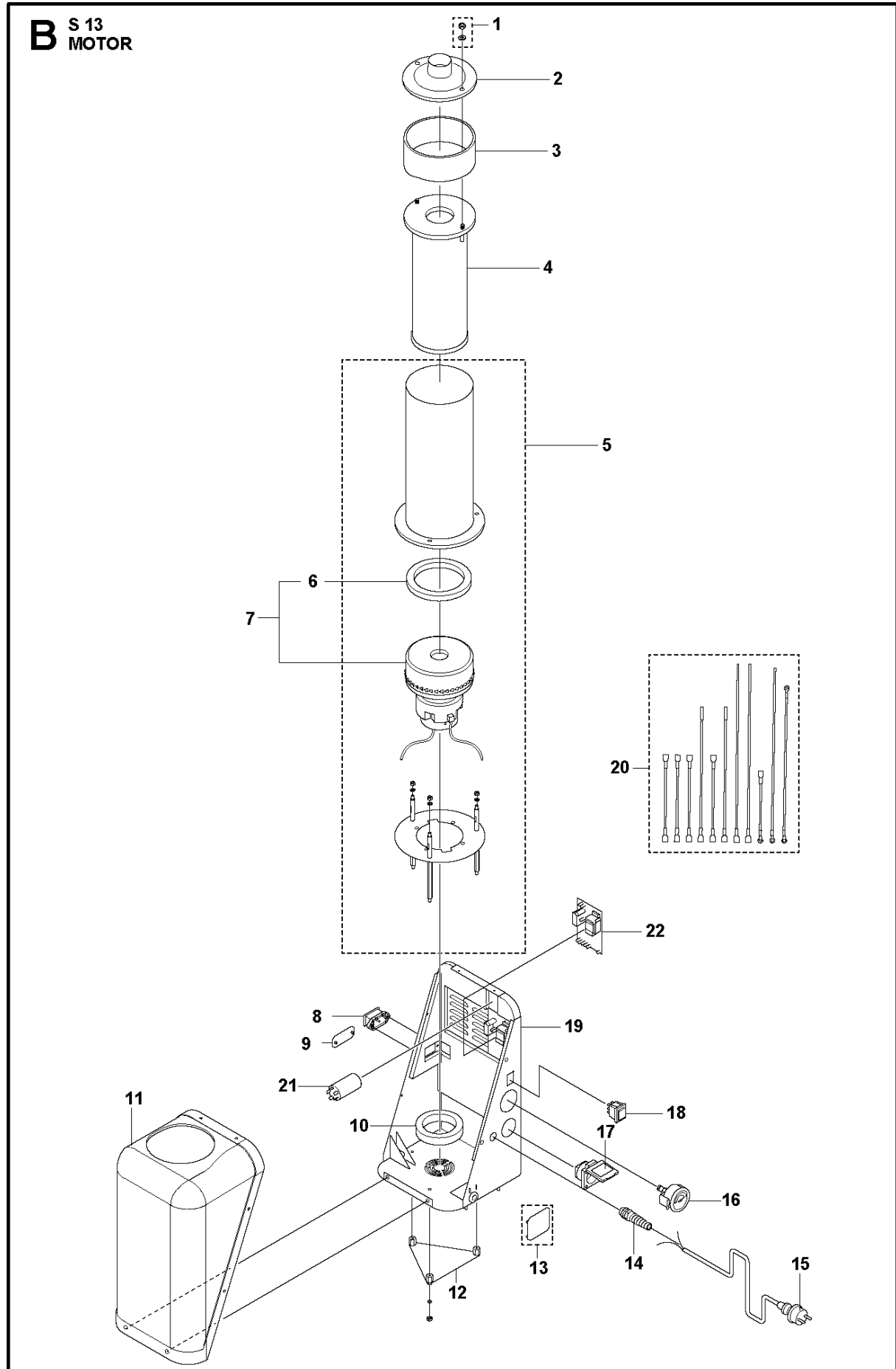
S13, 967664001, 967664002, 967664003,
967664004, 967664005, 967664006 ,
2019-06



TANK
, 2019-06

S13, 967664001, 967664002, 967664003, 967664004, 967664005, 967664006

Ref	Part No	Description	Remark	QTY	KIT
1	590 47 62-02	TANK CAP ASSY		1	
2	590 41 50-02	VALVE		1	1
3	590 39 90-01	HOSE KIT		2	
4	590 40 08-01	HOSE CLAMP		1	3
5	590 43 81-01	HOSE		1	3
6	590 39 74-01	FILTER		1	
7	590 47 63-02	TANK		1	
8	590 39 64-01	HOLDER KIT		3	7
9	590 39 88-01	HANDLE KIT		1	7
10	590 40 16-01	LOCKING PIN		1	7
11	590 40 27-01	HOLDER KIT		1	7
12	590 41 51-01	LID		1	7
13	590 39 86-01	FLAP		1	7
14	590 40 23-01	SEAL		1	7
15	590 40 18-01	STRAP		1	7
16	590 42 92-01	DUST BAG		1	7
17	590 42 69-01	HOLDER		1	7

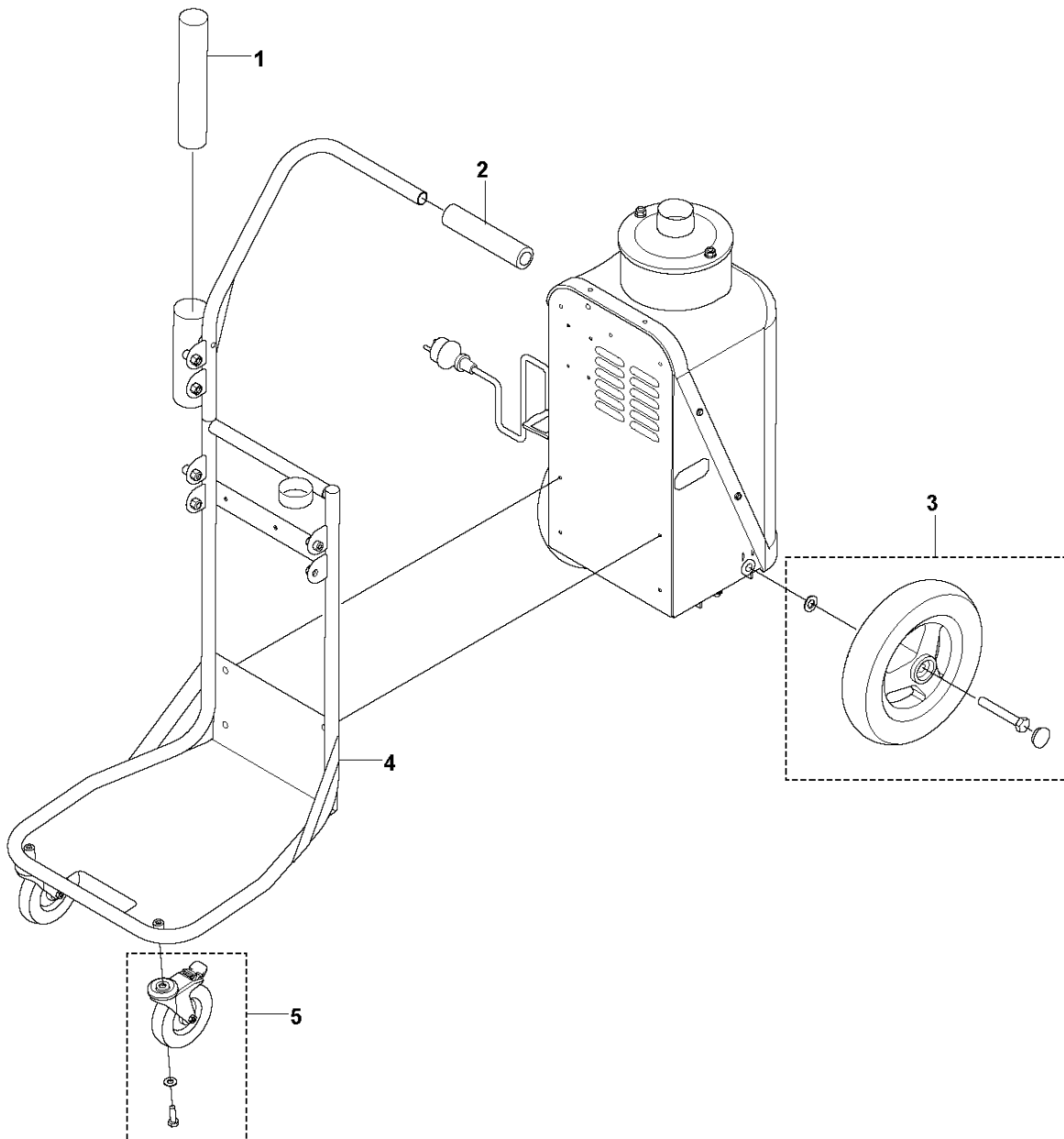


MOTOR
, 2019-06

S13, 967664001, 967664002, 967664003, 967664004, 967664005, 967664006

Ref	Part No	Description	Remark	QTY	KIT
1	590 40 07-01	NUT		2	
2	590 39 89-01	FILTER COVER		2	
3	590 40 04-01	SEALING COLLAR		1	
4	590 42 98-01	FILTER		1	
5	590 41 55-01	MOTOR	230 V, Incl nipple	1	
5	590 42 70-01	MOTOR	230 V	1	
5	590 41 57-01	MOTOR	120 V, Incl nipple	1	
5	590 42 71-01	MOTOR	120 V	1	
6	591 90 09-01	PACKING		1	5
7	590 39 69-01	MOTOR KIT	230 V	1	5
7	591 92 18-01	MOTOR	120 V	1	5
8	590 41 53-01	HOUR METER		1	
9	590 41 56-01	COVER		1	
10	591 85 86-01	PACKING		1	
11	591 85 96-01	HOOD		1	
12	590 47 68-01	COVER LID		1	
13	590 47 72-01	COVER LID		1	
14	590 40 25-01	CABLE GROMMET	230 V	1	
14	590 39 95-01	CABLE GROMMET	120 V	1	
15	593 71 74-03	POWER CORD	EU	1	
15	593 71 74-02	POWER CORD	AUS	1	
15	593 71 74-08	POWER CORD	US	1	
15	593 71 74-04	POWER CORD	UK	1	
15	593 71 74-10	POWER CORD	BR	1	
15	593 71 74-15	POWER CORD	JP	1	
16	590 39 67-01	MANOMETER		1	
17	590 39 63-01	ELECTRICAL SYSTEM		1	
17	597 15 17-01	SOCKET		1	
18	590 40 30-01	SWITCH		1	
19	590 47 70-01	CHASSIS		1	
20	596 95 69-01	DIAGRAM	EU/AUS	1	
20	596 95 69-03	DIAGRAM	US, JP	1	
20	596 95 69-02	DIAGRAM	UK, BR	1	
21	591 79 43-01	FILTER		1	
22	590 39 98-01	CIRCUIT BOARD ASSY		1	

C S 13
FRAME



FRAME
, 2019-06

S13, 967664001, 967664002, 967664003, 967664004, 967664005, 967664006

Ref	Part No	Description	Remark	QTY KIT
1	590 42 60-01	CLIP		1
2	590 40 13-02	HANDLE GRIP		1
3	590 39 70-01	REAR WHEEL		2
4	590 39 92-01	FRAME		1
5	590 39 72-01	WHEEL KIT		2

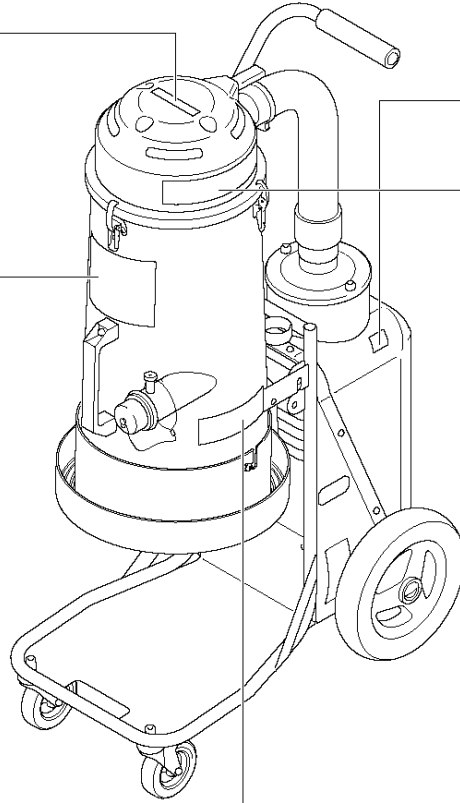
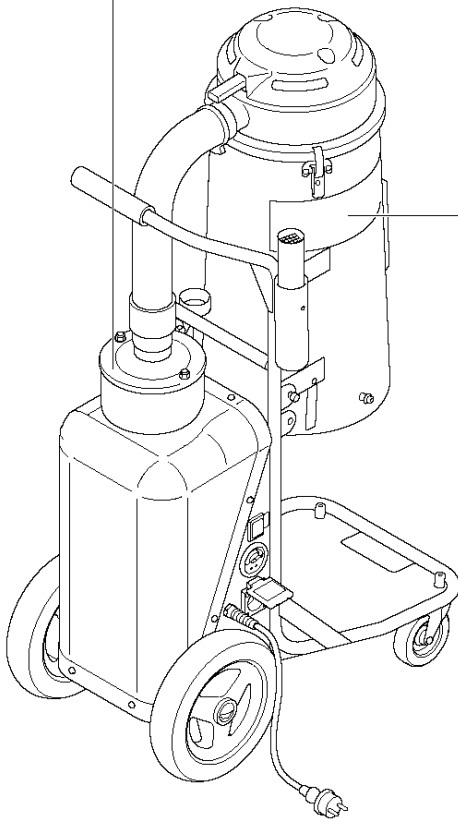
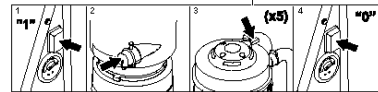
D S 13
DECALS

1

REMOVE FOR CLEANING

Husqvarna
S 13

HEPA FILTER INSIDE

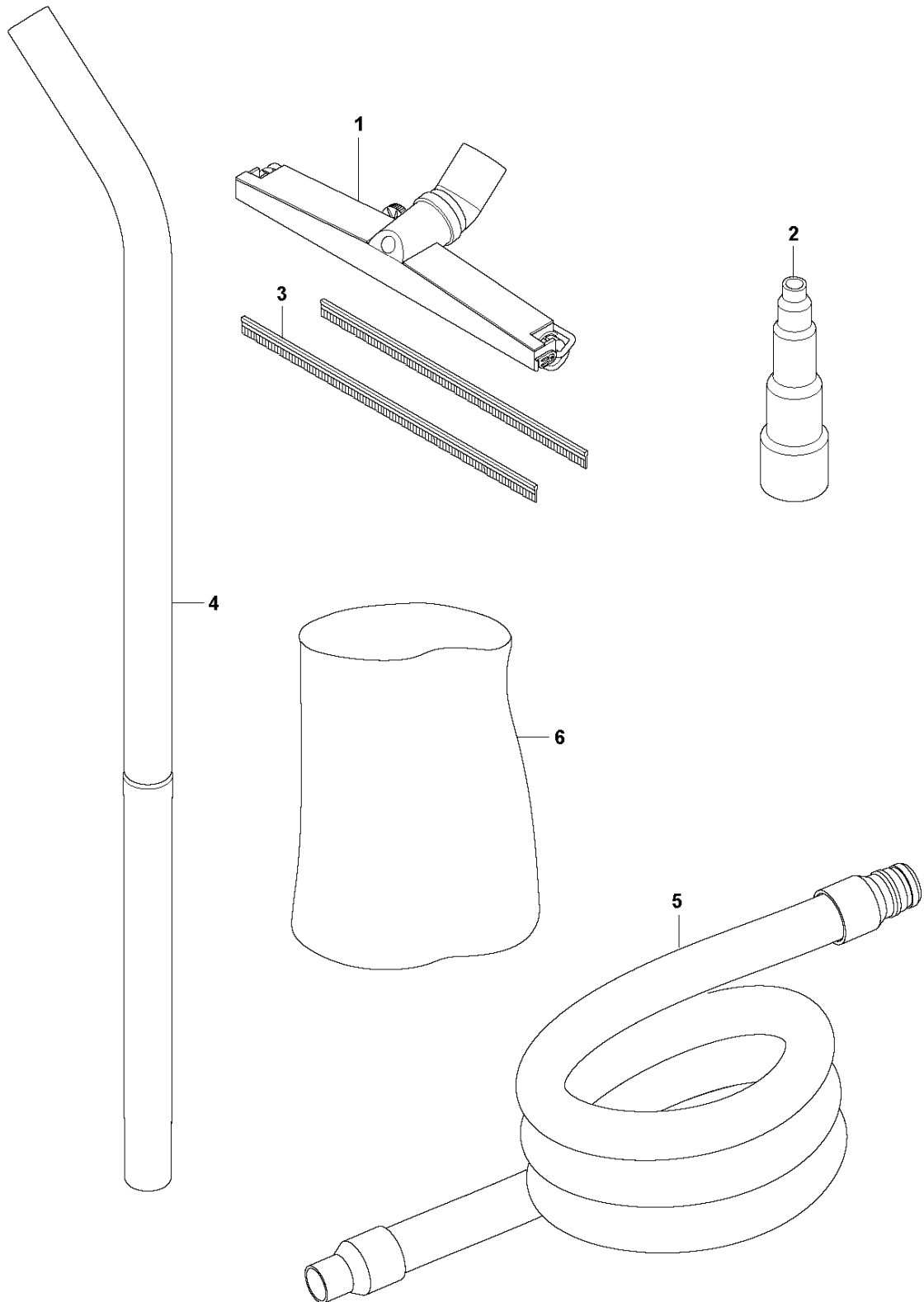


DECALS
, 2019-06

S13, 967664001, 967664002, 967664003, 967664004, 967664005, 967664006

Ref	Part No	Description	Remark	QTY	KIT
1	597 74 12-01	DECAL KIT			

E S 13
ACCESSORIES



ACCESSORIES S13, 967664001, 967664002, 967664003, 967664004, 967664005, 967664006
, 2019-06

Ref	Part No	Description	Remark	QTY KIT
1	591 99 27-01	NOZZLE		1
2	594 95 69-01	ADAPTER		1
3	591 68 76-01	STRIP		1
4	590 42 86-01	TOOL		1
5	590 43 72-01	HOSE		1
6	591 82 35-01	BAG		1