

DS 150

Reservdelar

Spare parts

Ersatzteile

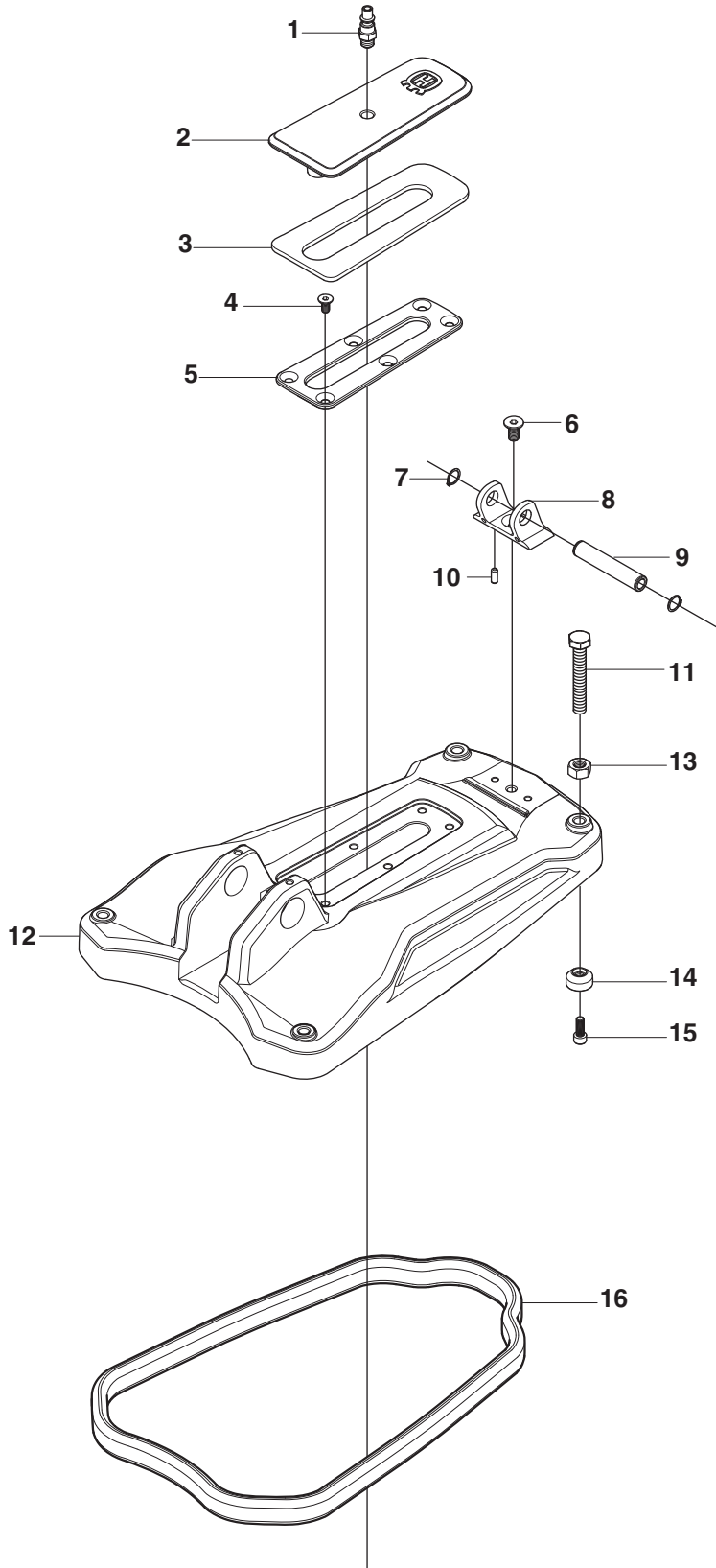
Pieces de rechange

Piezas de repuesto

Ricambi

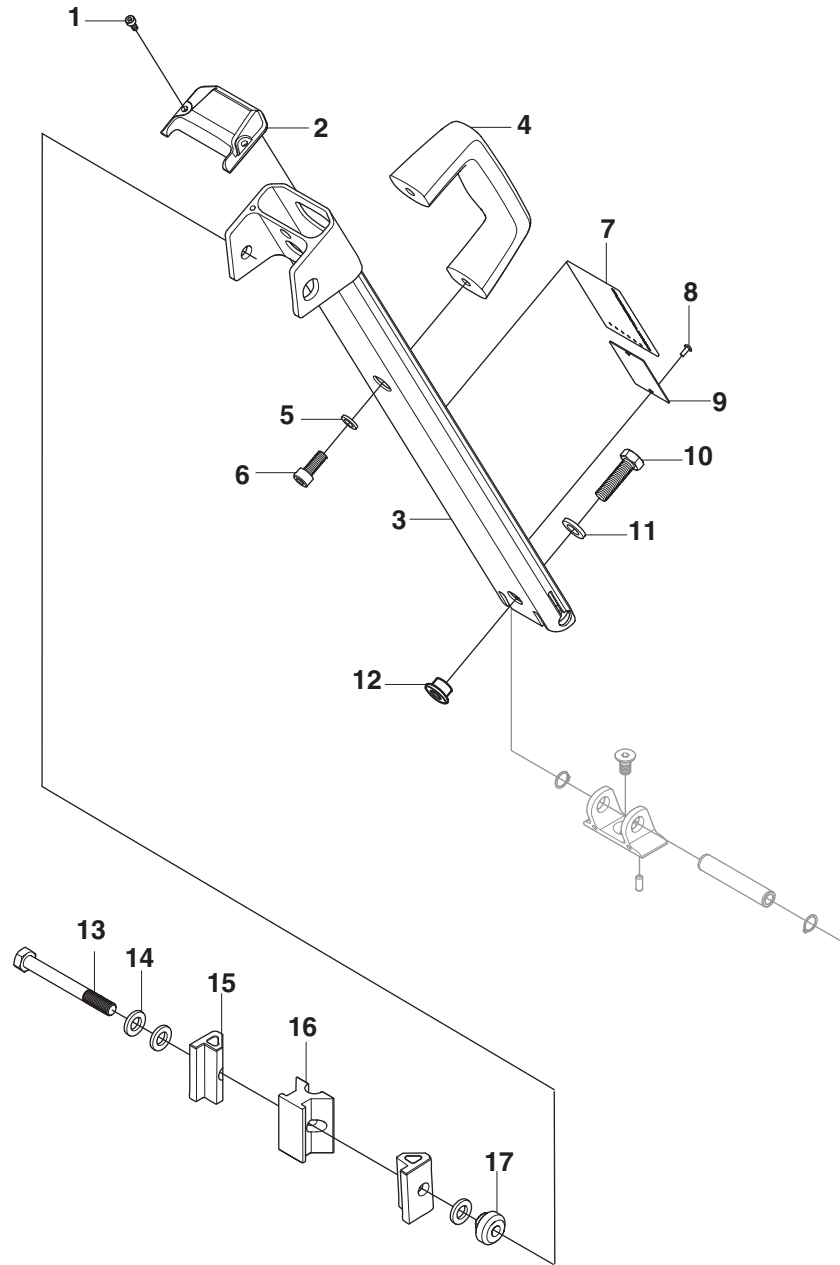
Peças sobresselente

A



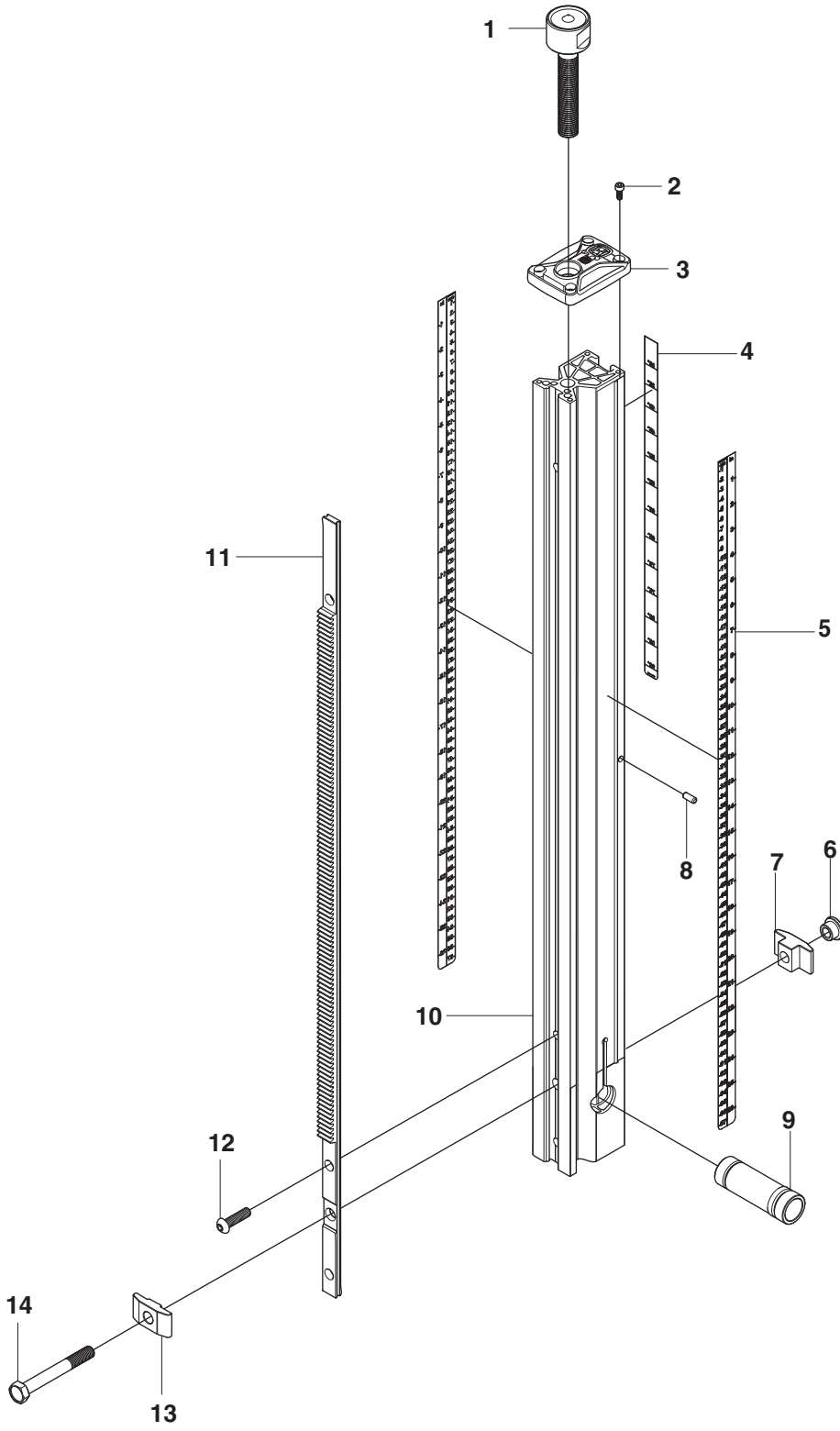
Pos.	Compl No.	Part No.	Quantity	Notes
1		541 40 40-71	1	
2		541 40 49-04	1	
3		541 40 49-03	1	
4		725 63 66-01	6	
5		541 40 48-92	1	
6		725 64 49-01	1	
7		735 31 15-00	2	
8		541 40 48-87	1	
9		541 40 49-00	1	
10		720 13 06-50	2	
11		541 40 40-80	4	
12		541 40 48-61	1	
13		731 23 20-01	4	
14		541 40 40-84	4	
15		725 53 68-01	4	
16		541 40 48-91	1	

B



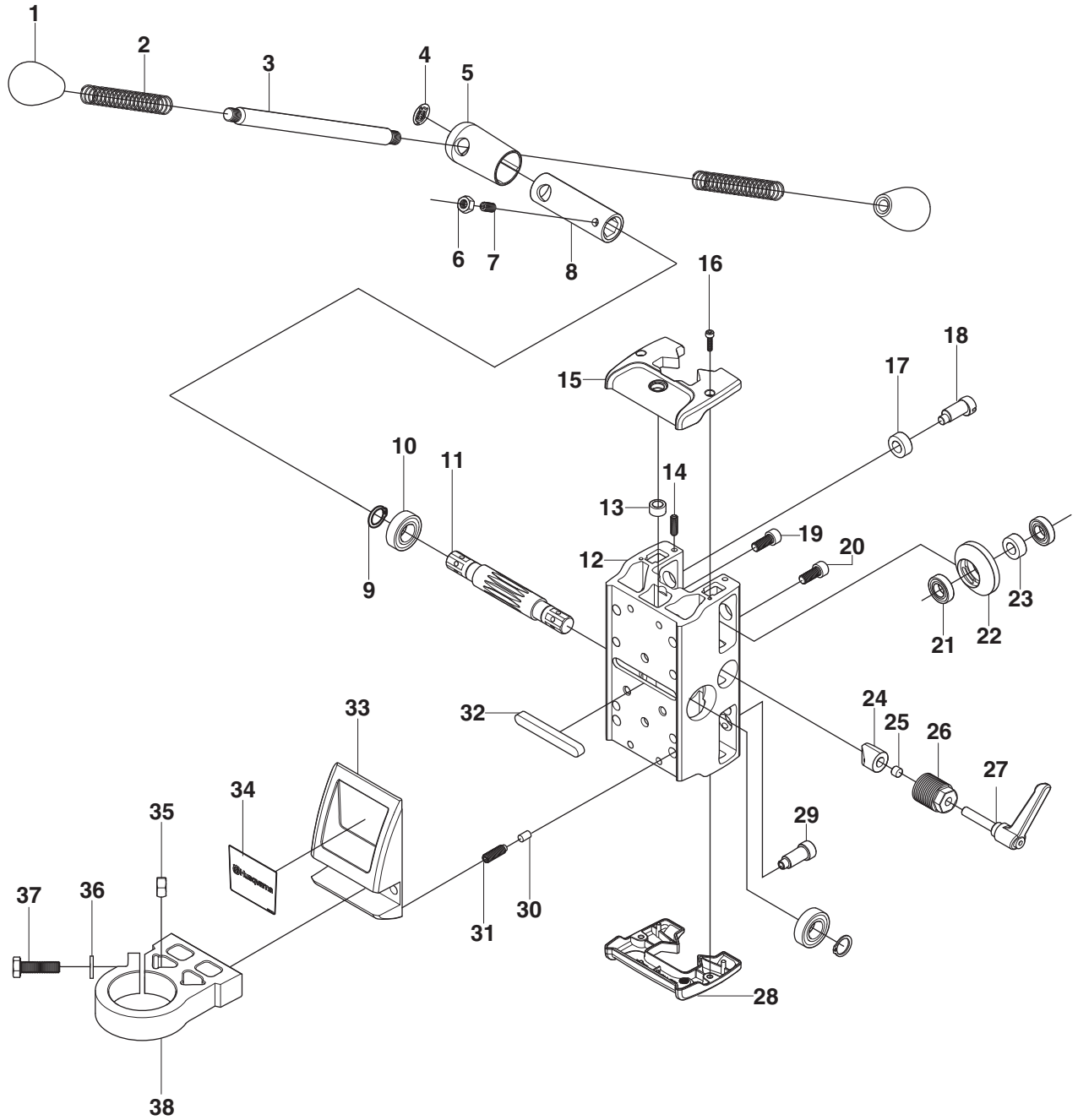
Pos.	Compl No.	Part No.	Quantity	Notes
1		725 52 89-01	2	
2		541 40 48-99	1	
3		541 40 48-84	1	
4		541 40 49-09	1	
5		734 11 63-01	2	
6		725 54 51-01	2	
7		541 40 40-98	1	
8		722 78 25-03	2	
9		541 40 50-96	1	
10		725 24 97-71	1	
11		734 11 72-01	1	
12		541 40 50-67	1	
13		725 25 09-51	1	
14		734 11 72-01	3	
15		541 40 48-24	2	
16		541 40 48-22	1	
17		541 40 48-27	1	

C



Pos.	Compl No.	Part No.	Quantity	Notes
1		541 40 48-09	1	
2		725 52 89-01	4	
3		541 40 48-68	1	
4		541 40 48-20	1	
5		541 40 40-54	2	
6		541 40 50-67	1	
7		541 40 48-70	1	
8		720 13 06-50	2	
9		541 40 48-81	1	
10		541 40 48-17	1	
11		541 40 48-18	1	
12		541 40 48-15	3	
13		541 40 48-69	1	
14		725 25 07-51	1	

D



Page D
DS150

Pos.	Compl No.	Part No.	Quantity	Notes
1		531 14 06-72	2	
2		541 40 51-61	2	
3		541 40 49-05	1	
4		541 40 50-47	1	
5		541 40 51-37	1	
6		732 21 18-01	1	
7		541 40 41-33	1	
8		541 40 40-44	1	
9		735 31 19-00	2	
10		738 21 03-04	2	
11		541 40 48-06	1	
12		541 40 47-98	1	
13		541 40 50-36	1	
14		728 73 70-01	4	
15		541 40 48-00	1	
16		725 52 93-01	4	
17		541 40 48-03	4	
18		541 40 48-05	2	
19		725 54 51-01	2	
20		725 54 53-01	3	
21		541 40 40-34	8	
22		541 40 48-95	4	
23		541 40 40-36	4	
24		541 40 48-66	1	
25		541 40 48-65	1	
26		541 40 48-64	1	
27		541 40 51-62	1	
28		541 40 48-62	1	
29		541 40 48-04	2	
30		541 40 40-32	4	
31		728 64 53-01	4	
32		541 40 40-31	1	
33		541 40 48-01	1	
34		541 40 51-36	1	
35		731 23 20-01	1	
36		734 11 72-01	3	
37		725 24 97-71	1	
38		541 40 48-02	1	