

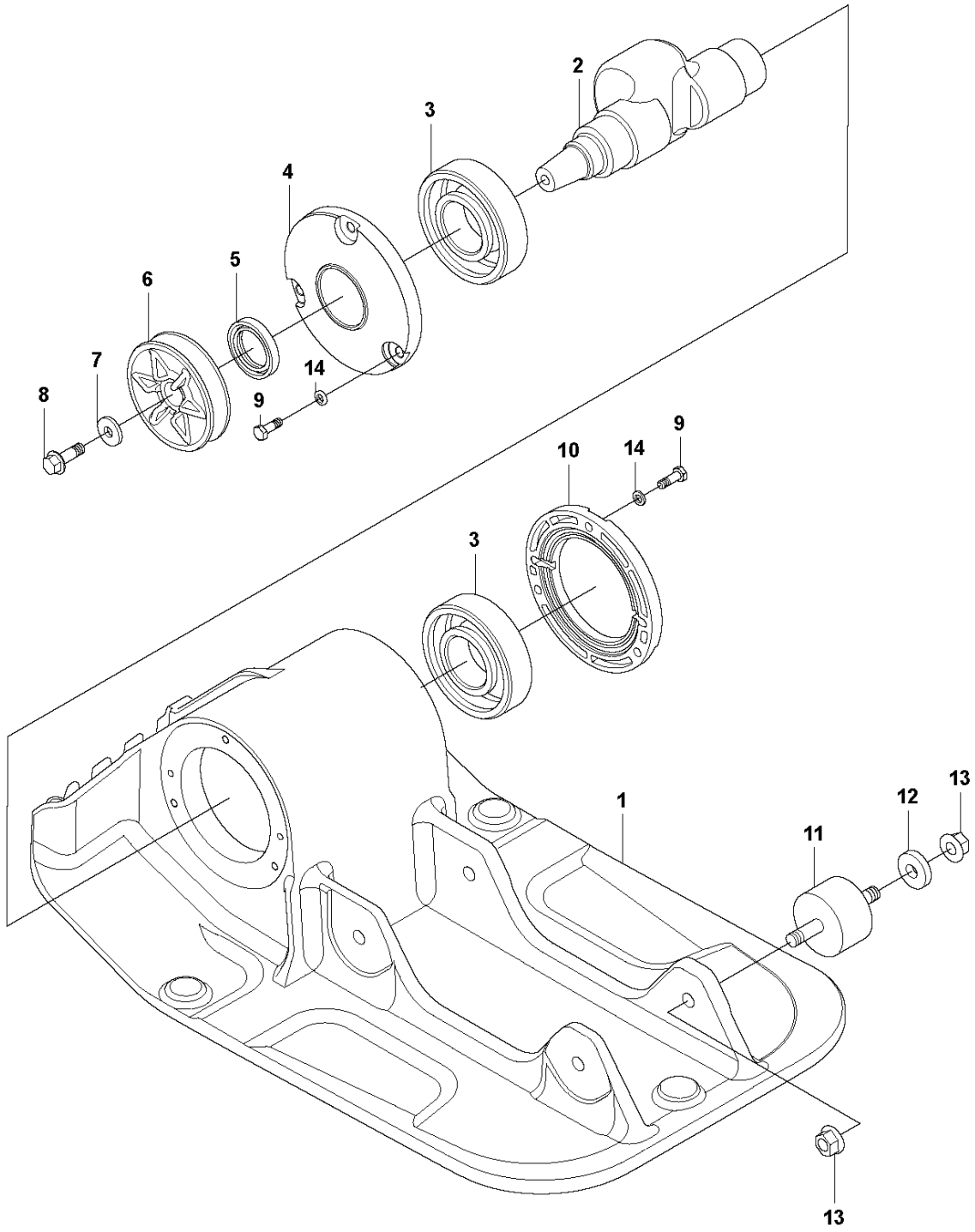


# SPARE PARTS LIST

LIGHT COMPACTION

LF 60, 967854801, 967897501 , 2019-06

**A** LF 60  
GROUND PLATE INSTALLATION

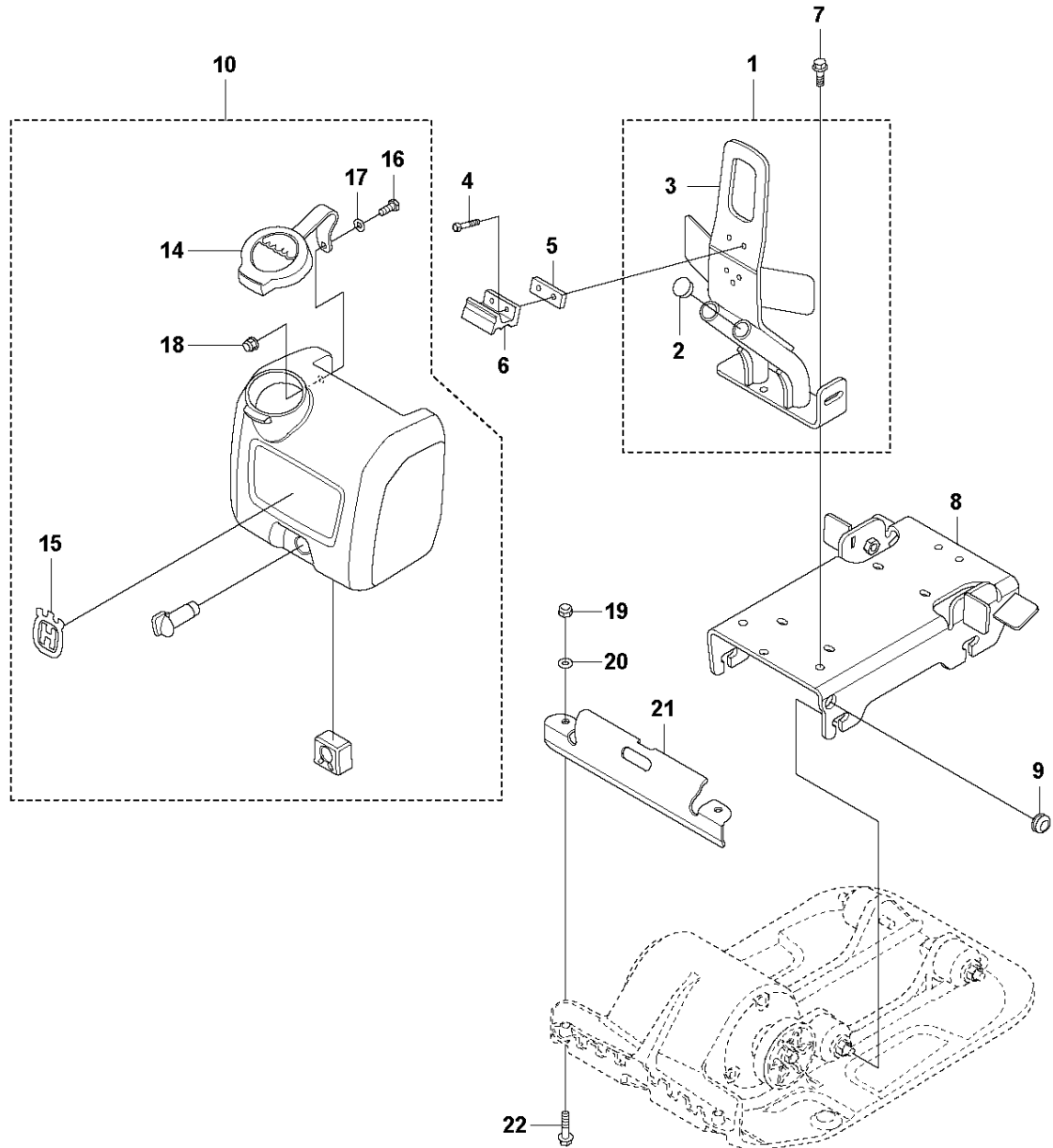


## GROUND PLATE INSTALLATION

LF 60, 967854801, 967897501 , 2019-06

Ref	Part No	Description	Remark	QTY KIT
1	594 18 33-01	GROUND PLATE		1
2	594 48 08-01	SHAFT		1
3	594 52 60-01	BALL BEARING		2
4	594 49 01-01	COVER		1
5	594 12 83-01	SEAL	Lip-type	1
6	594 48 67-01	PULLEY	V-belt	1
7	594 12 34-01	WASHER	8.4 x 16 x 1.5 mm, 0.33 x 0.63 x 0.06 in. 300 HV	1
8	594 12 00-01	SCREW	M8 x 25 mm 8.8 A2K	1
9	595 34 58-01	SCREW	M6 x 16 mm 8.8 A2K	6
10	594 49 02-01	COVER		1
11	594 52 59-01	ABSORBER		4
12	595 06 76-01	WASHER	10.5 x 28 x 6 mm, 0.41 x 1.10 x 0.24 in.	4
13	595 18 12-01	NUT	M10 x 1.5 mm GEOMET®	8
14	594 12 46-01	WASHER	Nordlock NL6 M6 DIA 13.5	6

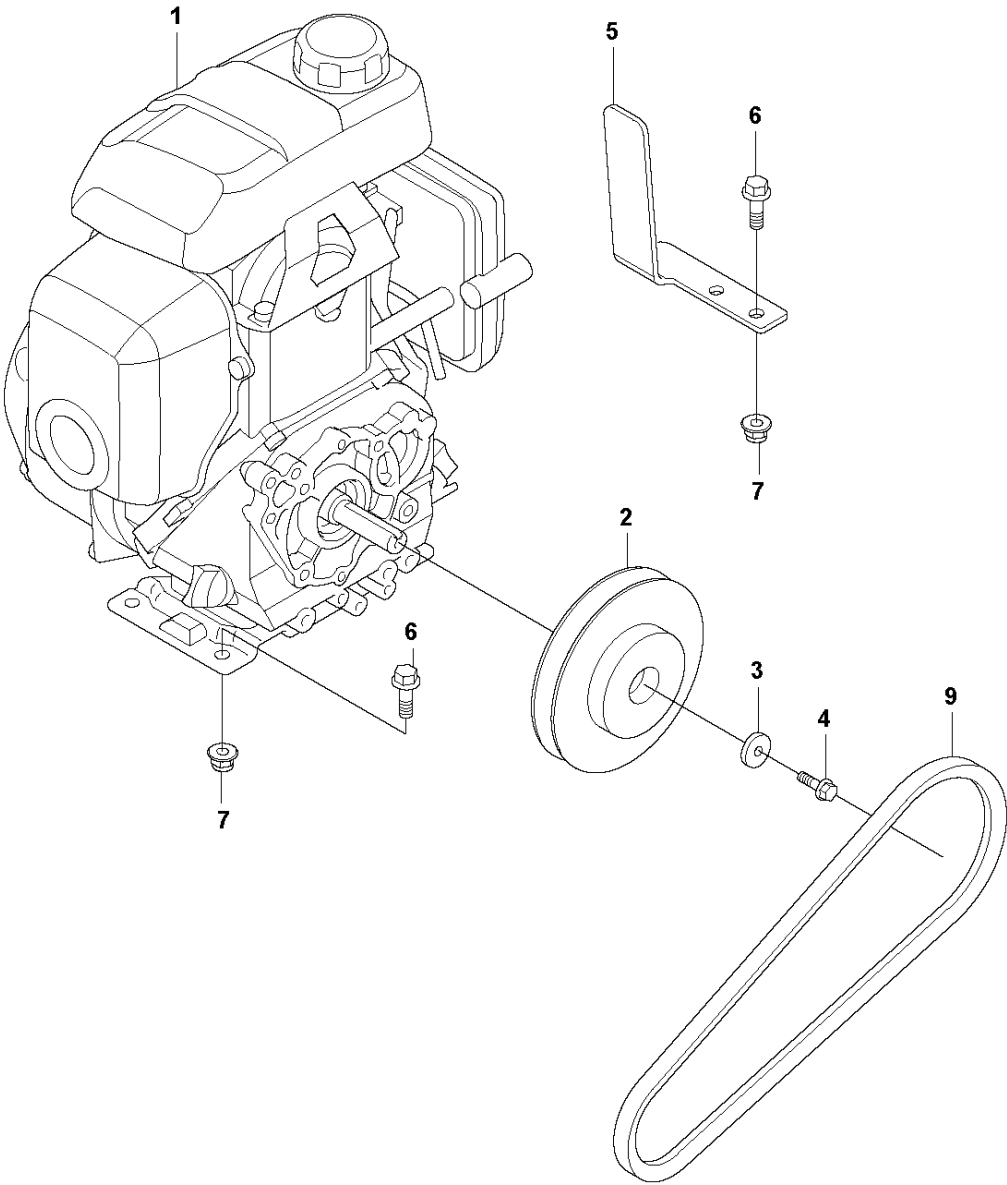
**B** LF 60  
LIFTING EYE, ENGINE PLATE & SPRINKER SYSTEM



## LIFTING EYE, ENGINE PLATE &amp; SPRINKER SYSTEM LF 60, 967854801, 967897501 , 2019-06

Ref	Part No	Description	Remark	QTY KIT	
1	594 21 25-01	HANDLE		1	
2	594 75 76-01	PLUG		1	1
3	594 18 41-01	HANDLE		1	1
4	595 35 06-01	SCREW		2	
5	594 18 53-01	PLATE		1	
6	594 43 38-01	CLIP		1	
7	595 18 57-01	SCREW		3	
8	595 11 97-01	ENGINE PLATE		1	
9	595 11 96-01	GROMMET		1	
10	594 21 26-01	TANK		1	
14	594 75 75-01	CAP		1	10
15	594 14 38-01	LABEL		1	10
16	595 03 34-01	SCREW		1	10
17	595 06 10-01	WASHER		1	10
18	594 12 30-01	LOCK NUT	Flanged	1	10
19	595 11 25-01	NUT	lock nut	1	
20	595 03 66-01	WASHER		1	
21	594 17 85-01	PROTECTION		1	
22	594 12 01-01	SCREW		2	

**C** LF 60  
ENGINE INSTALLATION

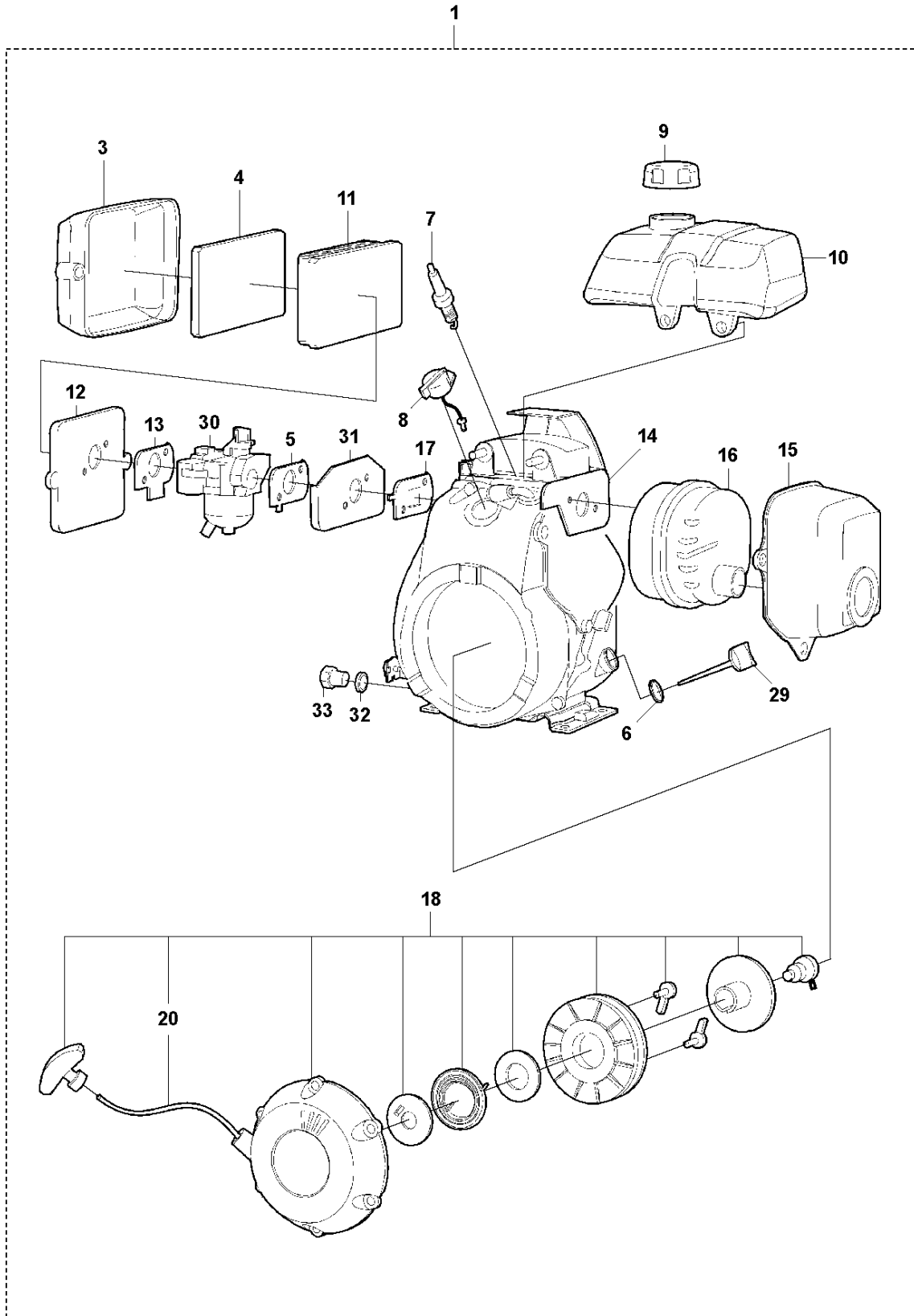


## ENGINE INSTALLATION

LF 60, 967854801, 967897501 , 2019-06

Ref	Part No	Description	Remark	QTY KIT
1	594 47 30-01	ENGINE	complete Honda GX 100 UT SE3 SD	1
2	594 48 10-01	CENTRIFUGAL CLUTCH	Centrifugal clutch, cpl	1
3	595 35 29-01	WASHER	6.4 x 22 x 4 mm, 0.25 x 0.87 x 0.16 in.	1
4	594 11 96-01	SCREW	M6 x 20 mm 8.8 A2K	1
5	595 17 75-01	PLATE		1
6	594 12 00-01	SCREW	M8 x 25 mm 8.8 A2K	6
7	594 12 30-01	LOCK NUT	M8 x 1.25 mm A2K	2
9	594 18 69-01	V-BELT		1

**D** LF 60  
ENGINE, HONDA GX 100 SE3 SE



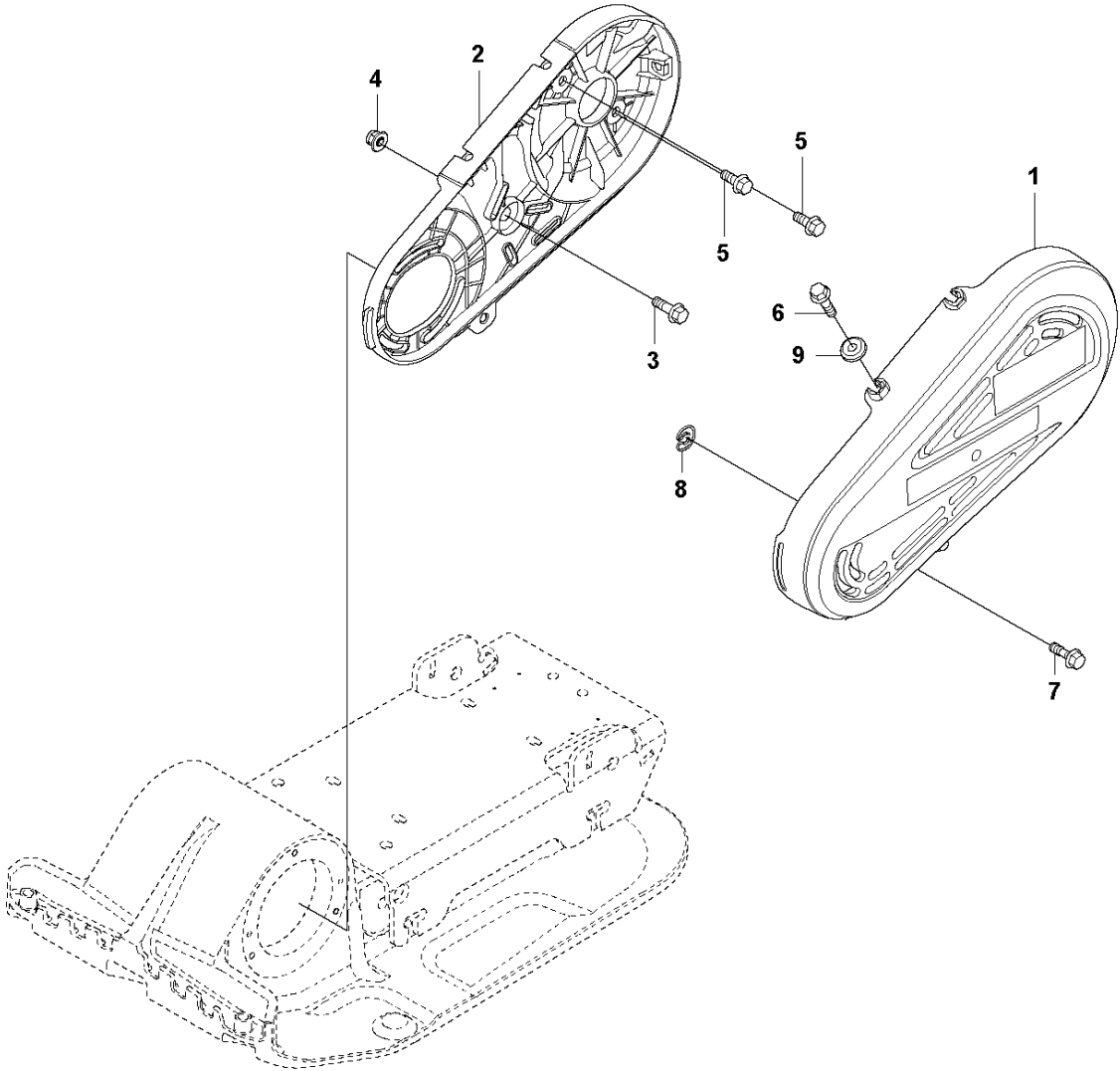


## ENGINE

LF 60, 967854801, 967897501 , 2019-06

Ref	Part No	Description	Remark	QTY	KIT
1	594 47 30-01	ENGINE	complete Honda GX 100 UT SE3 SD	1	
3	594 58 59-01	COVER		1	1
4	594 58 50-01	AIR FILTER		1	1
5	594 58 28-01	GASKET		1	1
6	594 58 33-01	GASKET		1	1
7	594 58 51-01	SPARK PLUG		1	1
8	594 60 08-01	SWITCH		1	1
9	594 59 64-01	FUEL CAP		1	1
10	594 59 63-01	FUEL TANK		1	1
11	594 58 49-01	AIR FILTER		1	1
12	594 59 97-01	CASE		1	1
13	594 60 37-01	GASKET		1	1
14	595 47 16-01	GASKET		1	1
15	594 20 21-01	COVER		1	1
16	594 84 93-01	MUFFLER		1	1
17	594 60 68-01	GASKET		1	1
18	594 20 22-01	STARTER	Recoil starterr, Complete	1	1
20	594 59 65-01	ROPE		1	1,18
29	594 58 61-01	OIL		1	1
30	594 59 62-01	CARBURETTOR		1	1
31	594 59 94-01	SPACER		1	1
32	595 04 89-01	GASKET		1	1
33	594 30 39-01	SPRING		1	1

**E** LF 60  
BELT GUARD

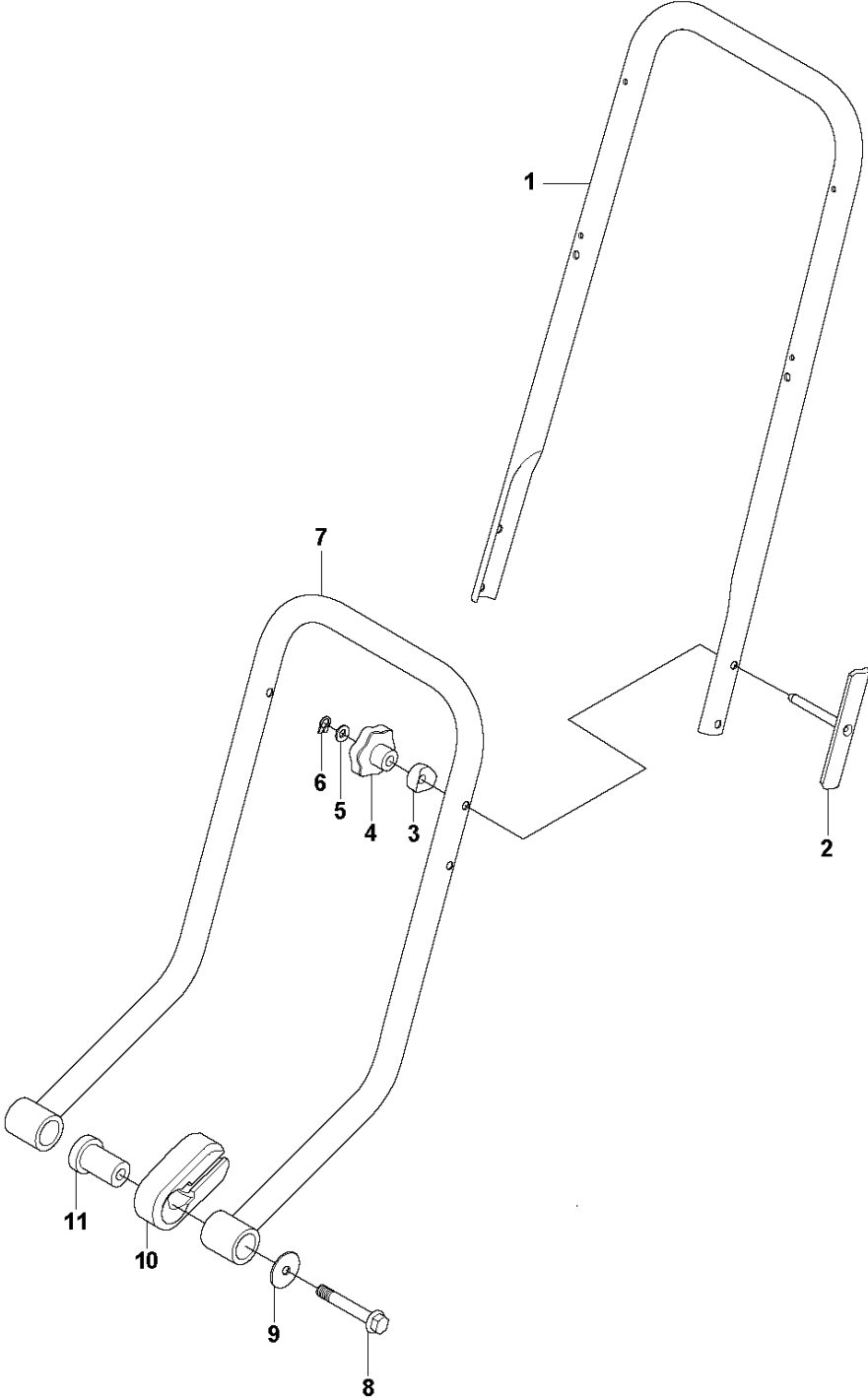


## BELT GUARD

LF 60, 967854801, 967897501 , 2019-06

Ref	Part No	Description	Remark	QTY KIT
1	594 96 06-01	BELT GUARD	Outer	1
2	594 48 43-01	BELT GUARD	Inner	1
3	594 12 00-01	SCREW	M8 x 25 mm 8.8	1
4	594 12 30-01	LOCK NUT	M8 x 1.25 mm	1
5	594 74 67-01	SCREW	M8 x 20 mm	2
6	594 11 98-01	SCREW	M8 x 30 mm	3
7	594 64 80-01	SCREW	M8 x 25 mm 8.8 A2K	1
8	594 65 02-01	LOCKING SPRING		1
9	594 64 78-01	WASHER		3

**F** LF 60  
HANDLE

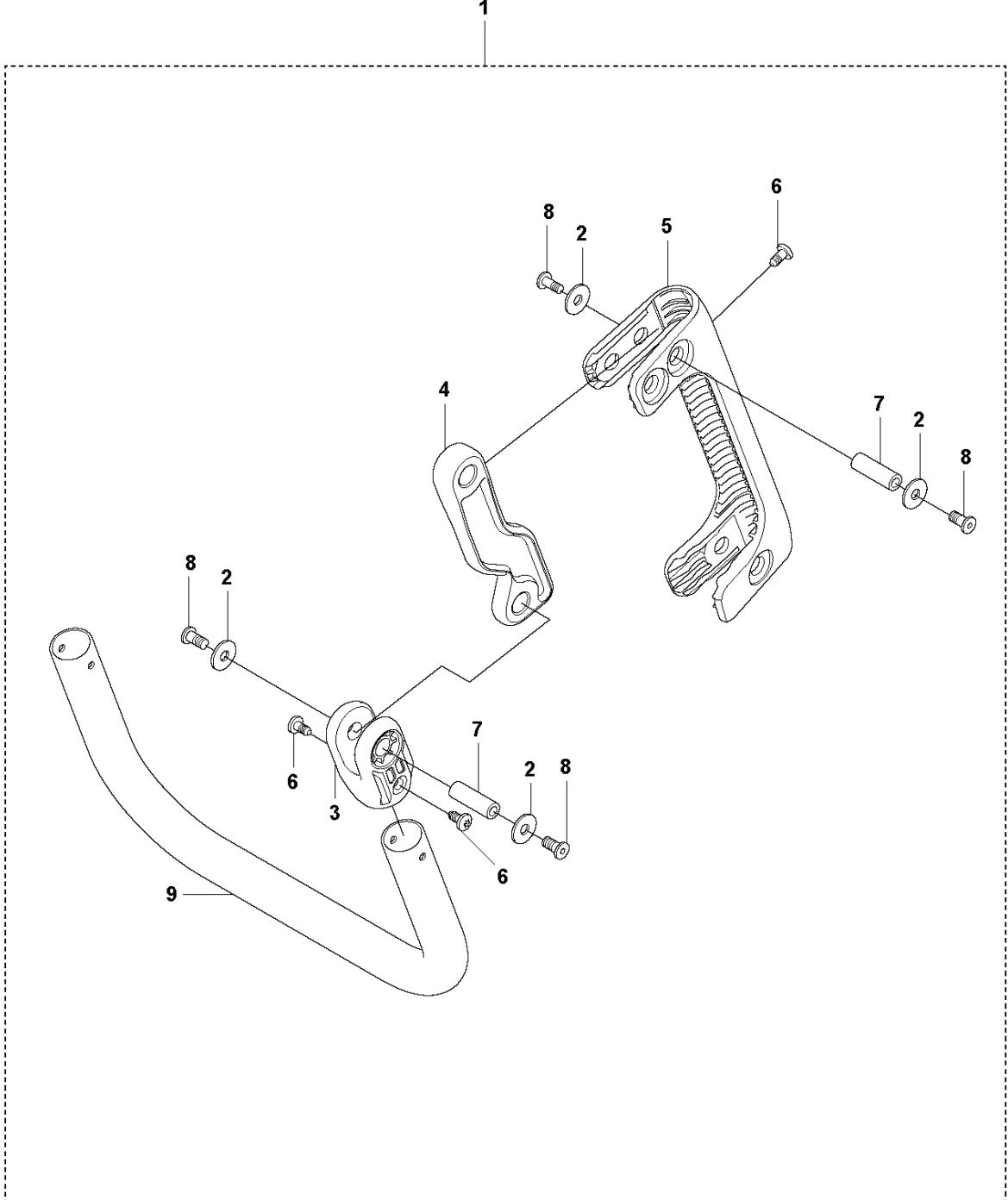


## HANDLE

LF 60, 967854801, 967897501 , 2019-06

Ref	Part No	Description	Remark	QTY KIT
1	594 16 88-01	HANDLE		1
2	594 65 44-01	BRACKET		2
3	594 65 42-01	SLEEVE		2
4	594 65 43-01	KNOB		2
5	595 06 71-01	WASHER	5.3 x 10 x 1,	2
6	594 26 55-01	RING	4.8 x 7 x 0.6 mm,	2
7	594 16 89-01	HANDLE		1
8	594 52 48-01	SCREW	M10 x 70 mm 8.8	2
9	595 06 19-01	WASHER	35 x 11 x 2 mm	2
10	594 48 04-01	RADIATOR		2
11	594 48 12-01	BEARING SLEEVE	Sleeve	2

**G** LF 60  
VIBRATION DAMPED HANDLE

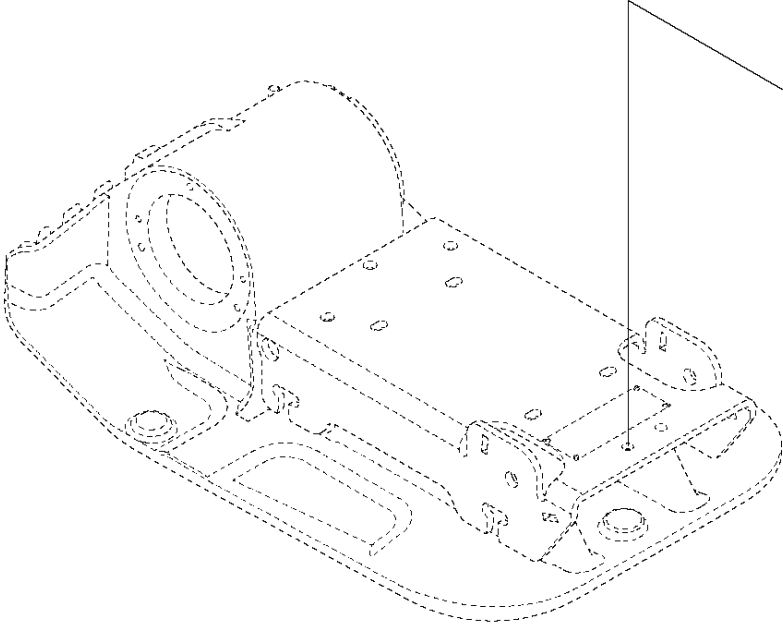
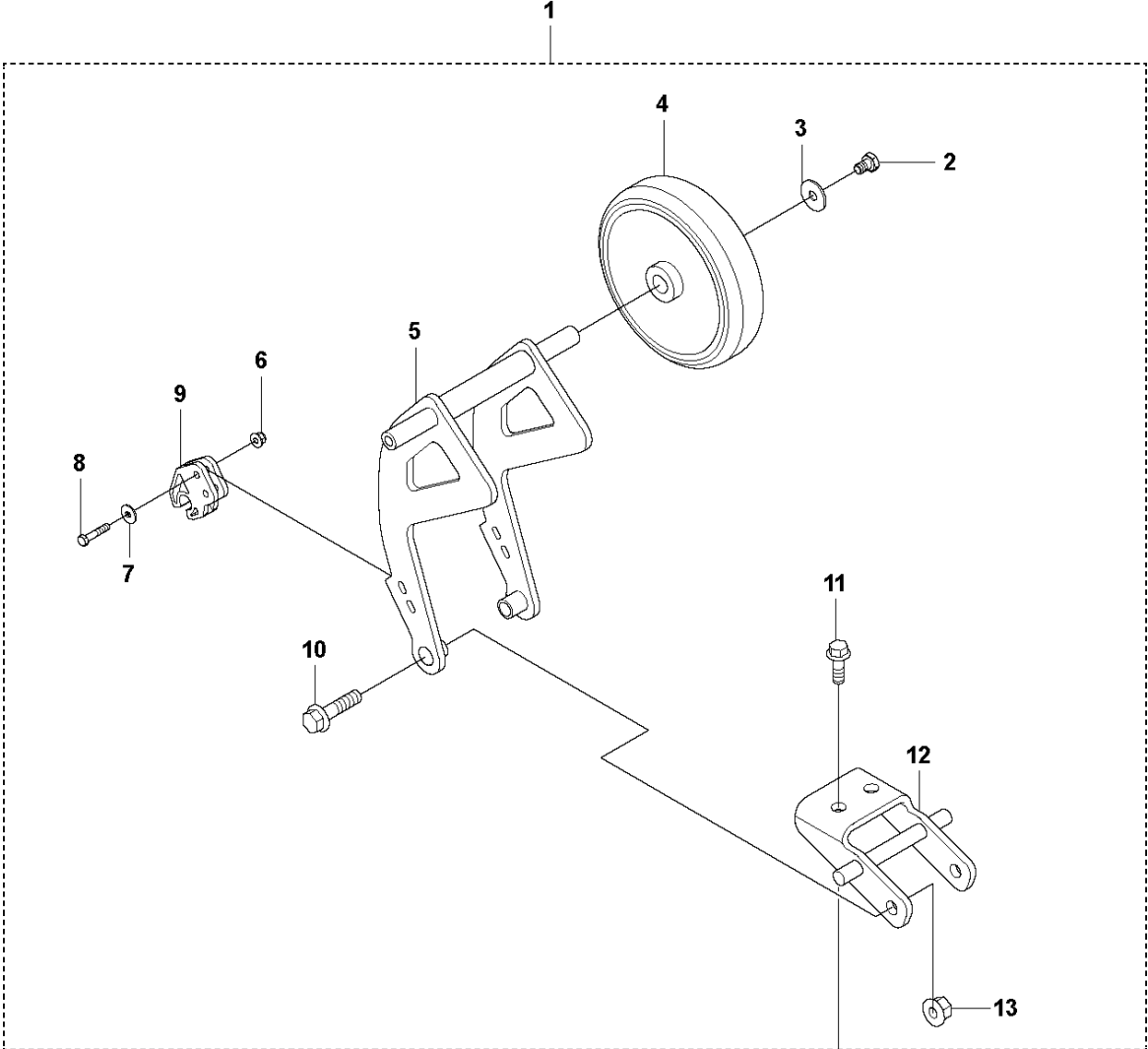


## VIBRATION DAMPED HANDLE

LF 60, 967854801, 967897501 , 2019-06

Ref	Part No	Description	Remark	QTY KIT	
1	594 20 51-01	HANDLE	Vibration Damped Handle	1	
2	594 52 79-01	WASHER	6.4 x 18 x 1.6 mm A2T, 0.25 x 0.71 x 0.06	16	1
3	594 48 22-01	BRACKET		2	1
4	594 48 05-01	ABSORBER		2	1
5	594 48 21-01	BRACKET		2	1
6	594 52 50-01	SCREW	M5 x 10 mm	8	1
7	594 52 47-01	NUT	M6 x 30 mm 8.8	8	1
8	594 52 67-01	SCREW	M6 x 12 mm 10.9	16	1
9	595 36 39-01	HANDLE		1	1

**H** LF 60  
TRANSPORT DEVICE



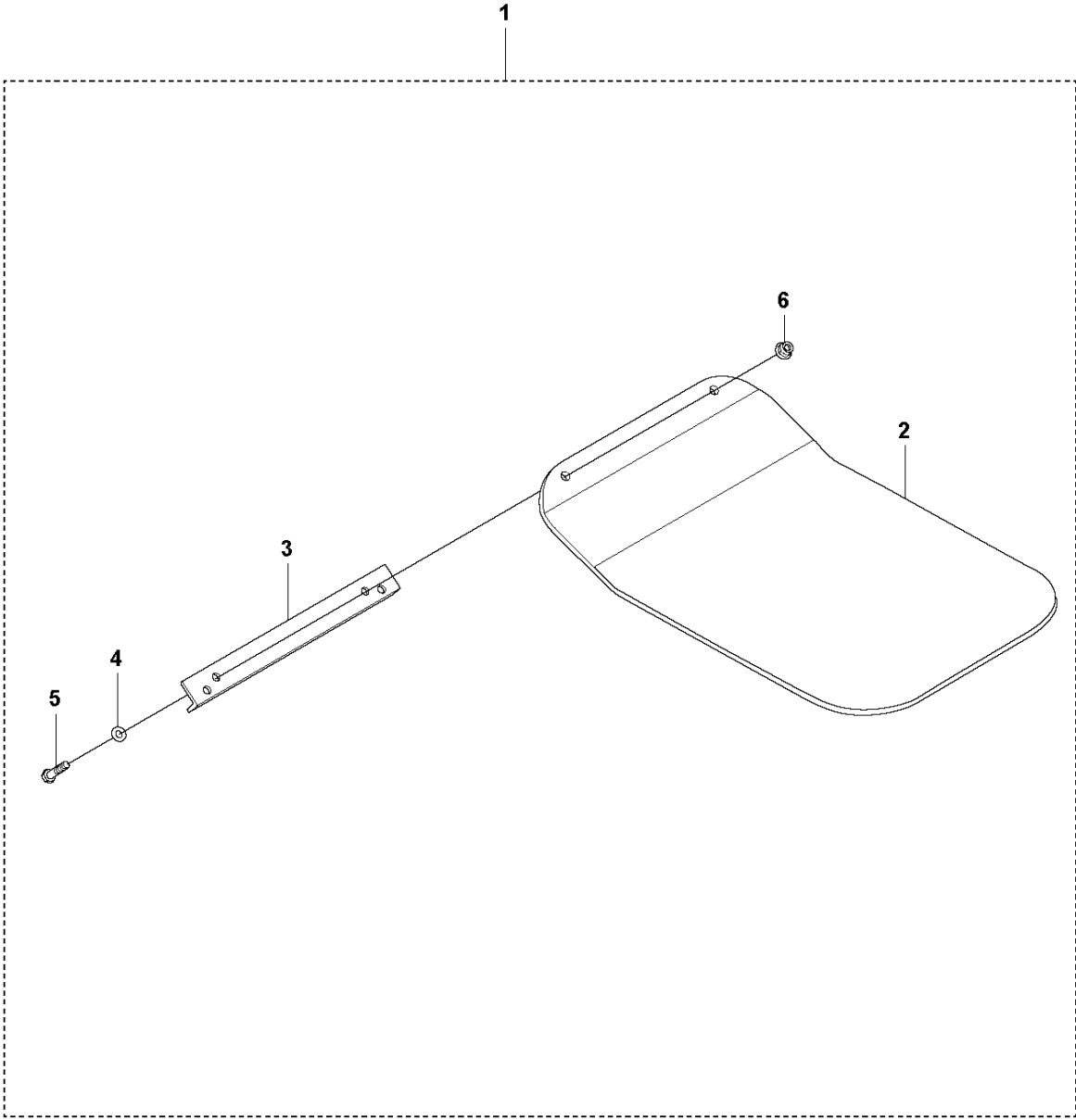


## TRANSPORT DEVICE

LF 60, 967854801, 967897501 , 2019-06

Ref	Part No	Description	Remark	QTY KIT	
1	595 12 07-01	TRANSPORT GUARD	Transport device		
2	596 88 97-07	SCREW	M8 x 12 mm 8.8 A2K	2	1
3	595 06 10-01	WASHER	8.4 x 25 x 2 mm, 0.33 x 0.98 x 0.08 in.	2	1
4	594 45 55-01	WHEEL		2	1
5	595 12 10-01	BRACKET		1	1
6	595 35 24-01	NUT	M5	4	1
7	595 99 29-01	WASHER		4	1
8	595 88 74-01	SCREW	M5 x 25 mm 8.8 A2K	4	1
9	594 45 57-01	HOOD		2	1
10	597 86 74-01	SCREW	With flange, M10 x 40 mm 8.8 A3K	2	1
11	594 12 00-01	SCREW	M8 x 25 mm 8.8 A2K	2	1
12	595 12 09-01	BRACKET		1	1
13	595 06 47-01	LOCK NUT	M10 x 1.5 mm A3K	2	1

**J** LF 60  
BLOCK PAVING PLATE

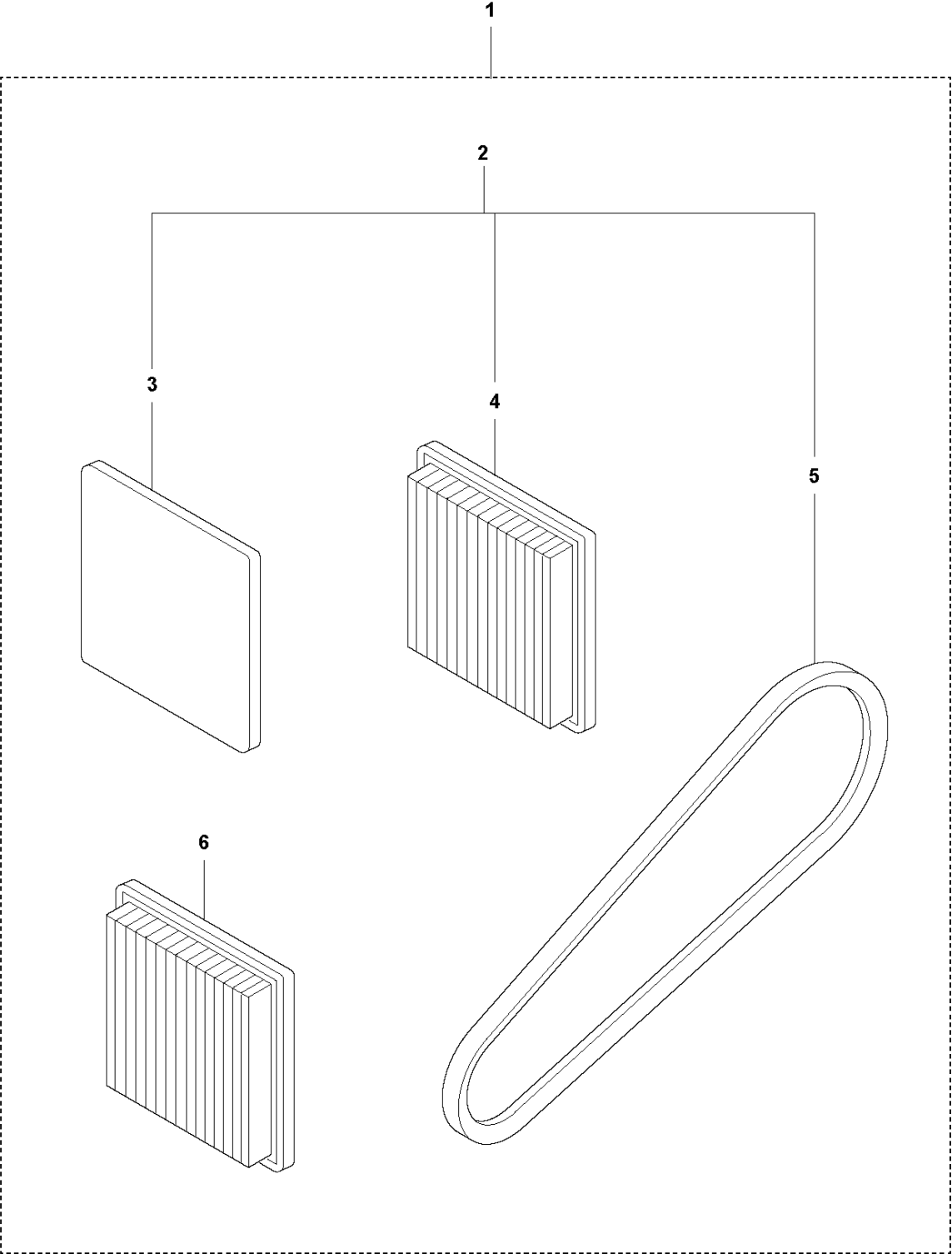


BLOCK PAVING PLATE

LF 60, 967854801, 967897501 , 2019-06

Ref	Part No	Description	Remark	QTY KIT	
1	595 36 75-01	BLOCK	Block paving kit	1	
2	595 12 75-01	PLATE	Polyurethane	1	1
3	594 18 18-01	BRACKET		1	1
4	595 03 66-01	WASHER	DIN125	2	1
5	595 34 45-01	SCREW		2	1
6	594 12 30-01	LOCK NUT	Flange lock nut	2	1

**K** LF 60  
START UP KIT

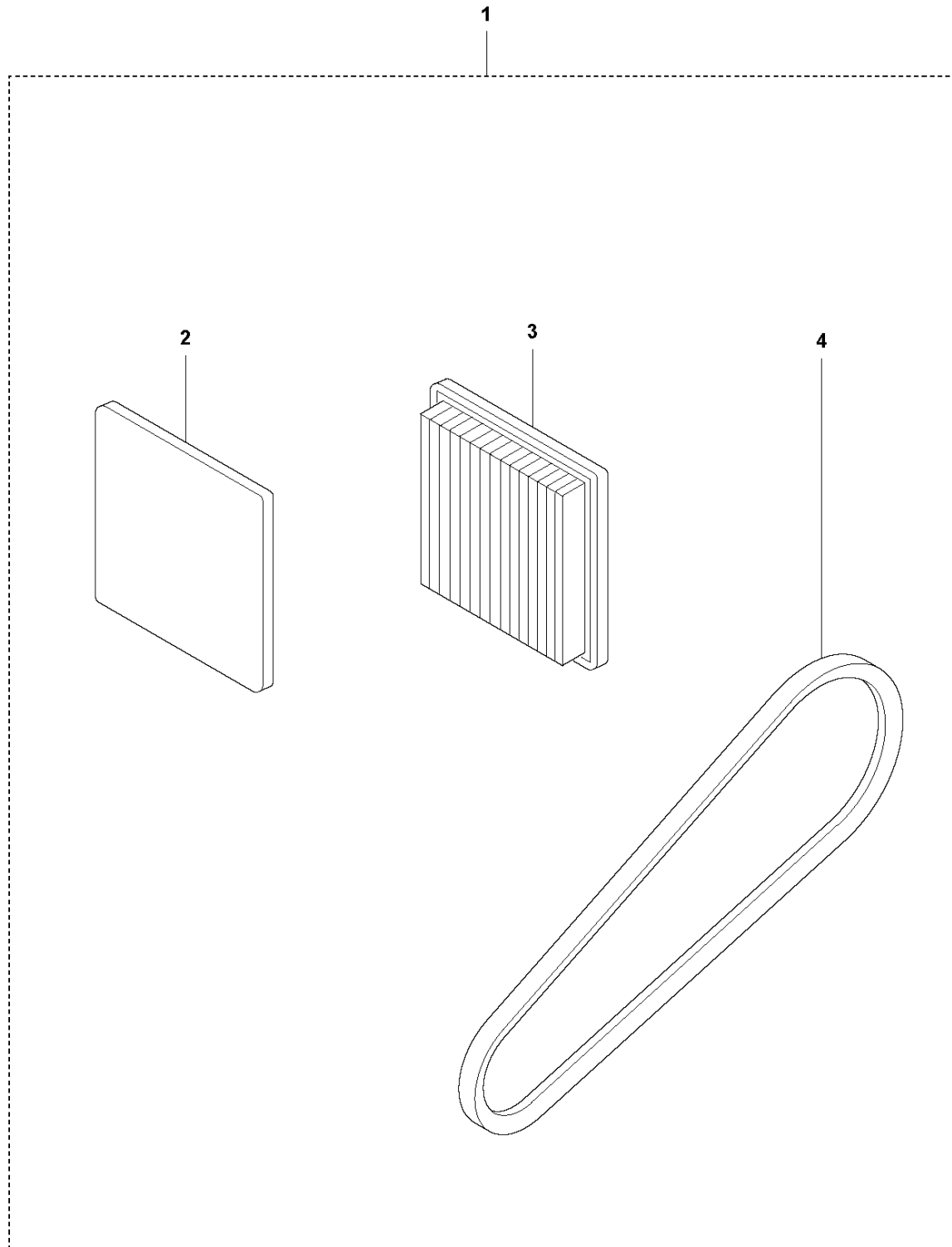


START UP KIT

LF 60, 967854801, 967897501 , 2019-06

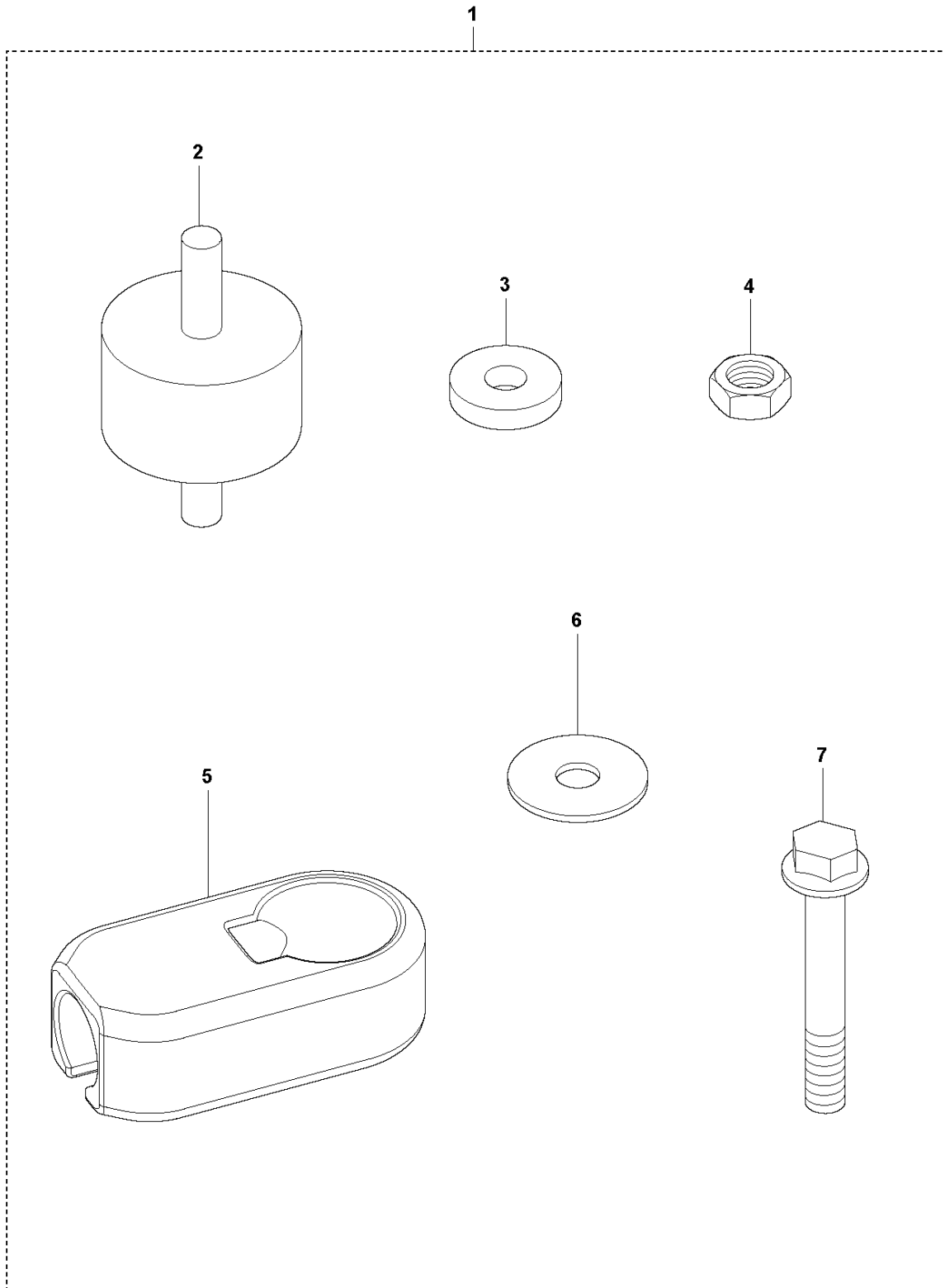
Ref	Part No	Description	Remark	QTY KIT	
1	594 21 42-01	SERVICE KIT	Start up kit	1	
2	594 21 57-01	SERVICE KIT	One year service kit	1	1
3	594 58 50-01	AIR FILTER	Outer	1	1,2
4	594 58 49-01	AIR FILTER	Element	1	1,2
5	594 18 69-01	V-BELT		1	1,2
6	594 58 49-01	AIR FILTER		1	1

**L** LF 60  
12 MONTHS / 200 HOURS SERVICE KIT



Ref	Part No	Description	Remark	QTY KIT	
1	594 21 57-01	SERVICE KIT	One year service kit	1	
2	594 58 50-01	AIR FILTER	Outer	1	1
3	594 58 49-01	AIR FILTER	Element	1	1
4	594 18 69-01	V-BELT		1	1

**M** LF 60  
SHOCK ABSORBER REPAIR KIT



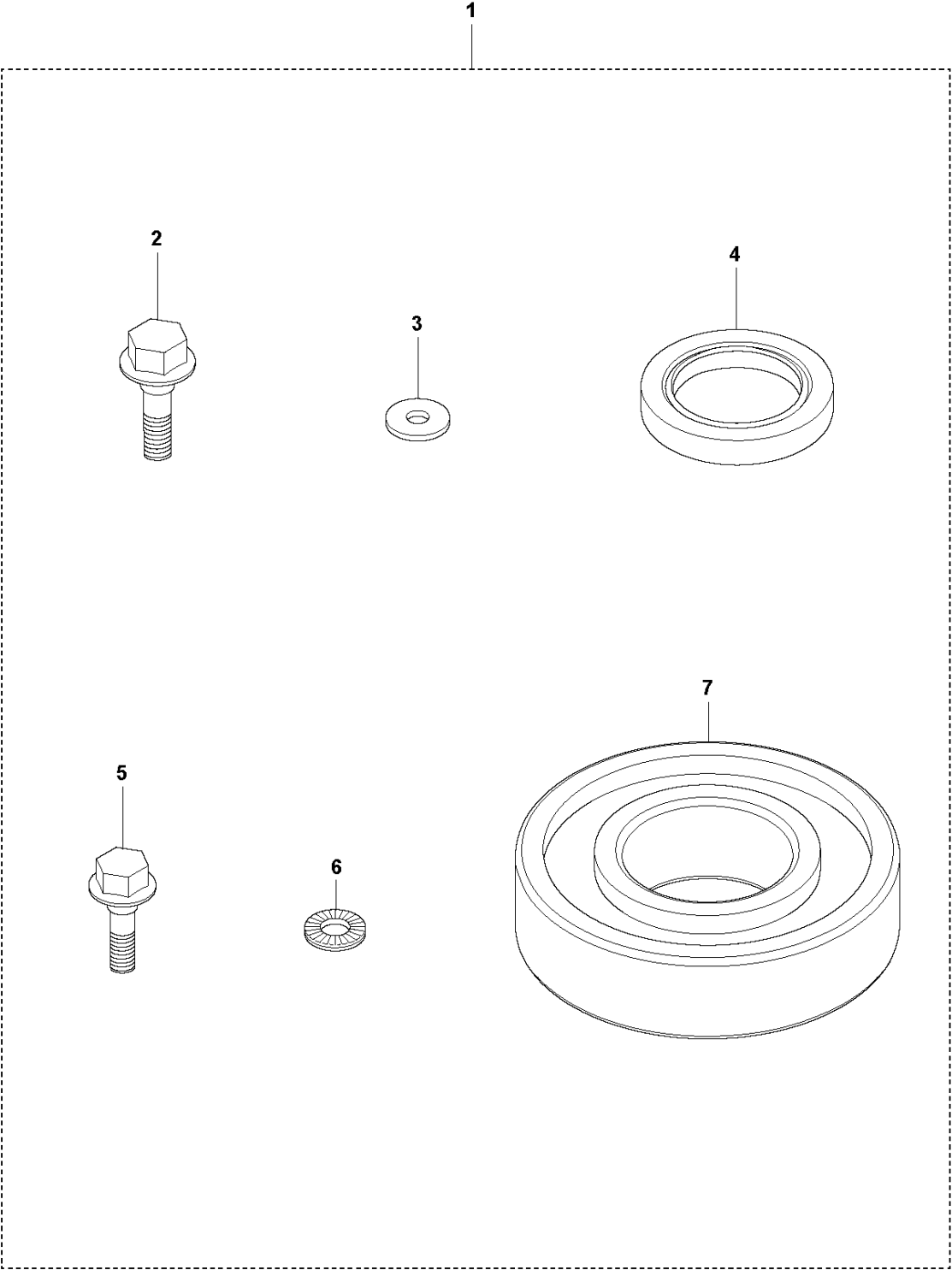


## SHOCK ABSORBER REPAIR KIT

LF 60, 967854801, 967897501 , 2019-06

Ref	Part No	Description	Remark	QTY KIT	
1	594 19 45-01	REPAIR KIT		1	
2	594 52 59-01	ABSORBER		4	1
3	595 06 76-01	WASHER	10.5 x 28 x 6 mm 300 HV	4	1
4	595 18 48-01	HEXAGON NUT	M10 A3K	8	1
5	594 48 04-01	RADIATOR		2	1
6	595 06 19-01	WASHER	11 x 35 x 2 mm	2	1
7	594 52 48-01	SCREW	M10 x 70 mm 8.8 A3K	2	1

**N** LF 60  
ECCENTRIC ELEMENT REPAIR KIT



ECCENTRIC ELEMENT REPAIR KIT

LF 60, 967854801, 967897501 , 2019-06

Ref	Part No	Description	Remark	QTY KIT	
1	594 19 43-01	REPAIR KIT	Eccentric element repair kit	1	1
2	594 12 00-01	SCREW	M8 x 25 mm 8.8 A2K	1	1
3	594 12 34-01	WASHER	8.4x22x3 HV300	1	1
4	594 12 83-01	SEAL	Lip type	1	1
5	595 03 32-01	SCREW	M6 x 16 mm 8.8 A2K	6	1
7	594 52 60-01	BALL BEARING		2	1
6	594 12 46-01	WASHER	Nordlock NL6 M6 DIA 13.5	6	1

**P** LF 60  
GOLD KIT - LF 60 LAT

1

1	595387801	<b>Gold Kit LF 60 LAT</b>	
<b>Ground Plate and Eccentric System</b>			
2	Eccentric System	Eccentric Element Repair Kit	1
3		V-Belt Pulley	1
4		Screw	6
5		Lock Washer	6
6		Shock absorber repair kit	1
<b>Cosmetic Kit</b>			
7	Covers	Belt guard, outer	1
8		Screw	3
9		Washer	3
10		Screw	1
11		Lock Spring	1
12		bolt	1
13		bolt	2
14		Nut	1
15	Handle System	Handle Kit	1
16	sprinkler	water tank, complete	1
17	Labeling	Product Label Kit	1
<b>Engine</b>			
18	Service Kit	Yearly service kit	1

Ref	Part No	Description	Remark	QTY KIT
1	595 38 78-01	SERVICE KIT		1

**Q** LF 60  
SILVER KIT - LF 60 LAT

1

1	595387501	<b>Silver Kit LF 60 LAT</b>	
		<b>Ground Plate and Eccentric System</b>	
2	Eccentric System	Eccentric Element Repair Kit	1
3		V-Belt Pulley	1
4		Screw	6
5		Lock Washer	6
6		Shock absorber repair kit	1
		-	<b>Engine</b>
7	Service Kit	Yearly service kit	1

SILVER KIT

LF 60, 967854801, 967897501 , 2019-06

Ref	Part No	Description	Remark	QTY KIT
1	595 38 75-01	SERVICE KIT		1

**R** LF 60  
COSMETIC KIT - LF 60 LAT

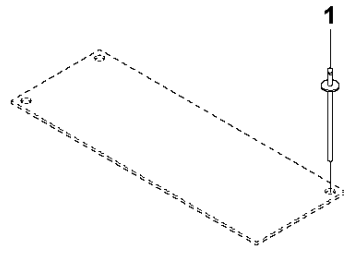
1

1	5953861.01	<b>Cosmetic Kit</b>	1
2	Covers	Belt guard, outer	1
3		Screw	3
4		Washer	3
5		Screw	1
6		Lock spring	1
7		Screw	1
8		Screw,	2
9		Nut,	1
10		Handle System	Handle kit
11	sprinkler	water tank, complete	<b>1</b>
12	Labeling	Product Label Kit	1

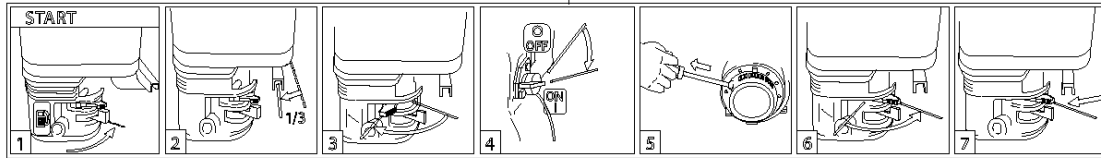


Ref	Part No	Description	Remark	QTY KIT
1	595 38 61-01	SERVICE KIT		1

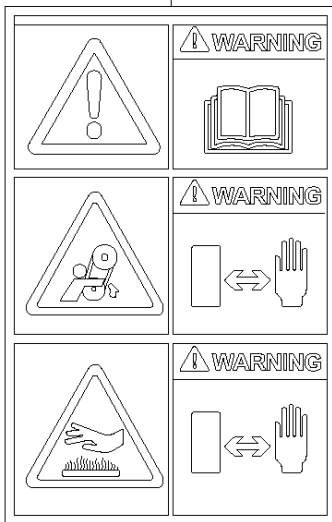
**S** LF 60  
DECALS



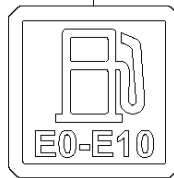
2



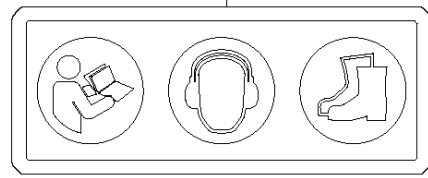
3



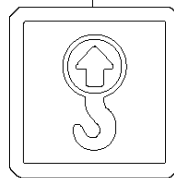
4



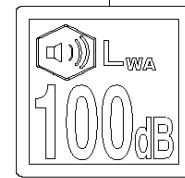
5



6



7



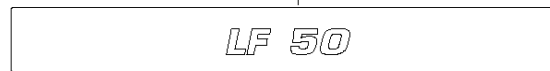
8



9



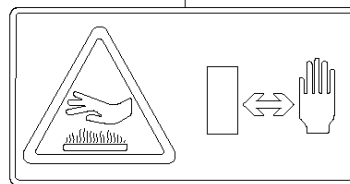
10



11



12



## DECALS

LF 60, 967854801, 967897501 , 2019-06

Ref	Part No	Description	Remark	QTY KIT
1	595 18 02-01	SCREW		4
2	594 48 62-01	DECAL	Start instruction	1
3	594 48 63-01	DECAL	Instruction	1
4	594 66 02-01	LABEL	Fuel, Gasoline	1
5	594 65 96-01	LABEL	Protection	1
6	594 66 09-01	LABEL	lifting point	1
7	594 51 54-01	DECAL	Sound power	1
8	574 38 21-01	DECAL	Husqvarna crown	1
9	596 28 77-01	DECAL	Husqvarna logo	1
10	595 09 43-01	DECAL	Model	1
11	596 28 02-01	DECAL	Compliance	1
12	595 18 61-01	DECAL	Hot surface	1