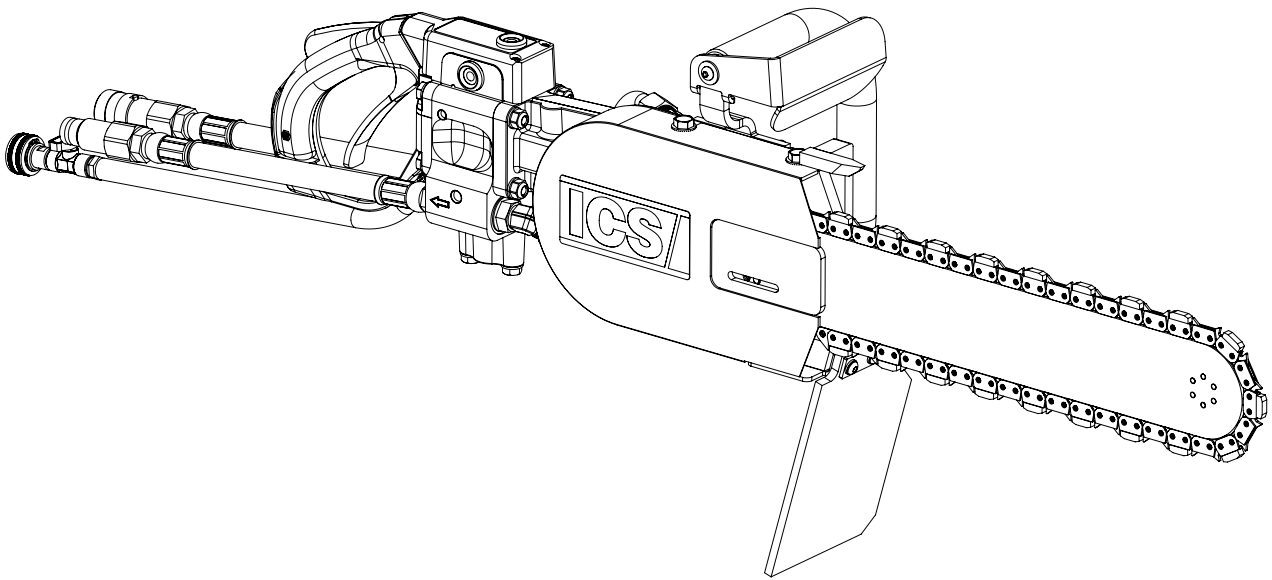




Diamond Tools and Equipment
for Construction and Infrastructure

Replacement Parts & Accessories Price List



880/890 FLUSH Series Hydraulic Concrete Saw

Effective January 1, 2019

TABLE OF CONTENTS

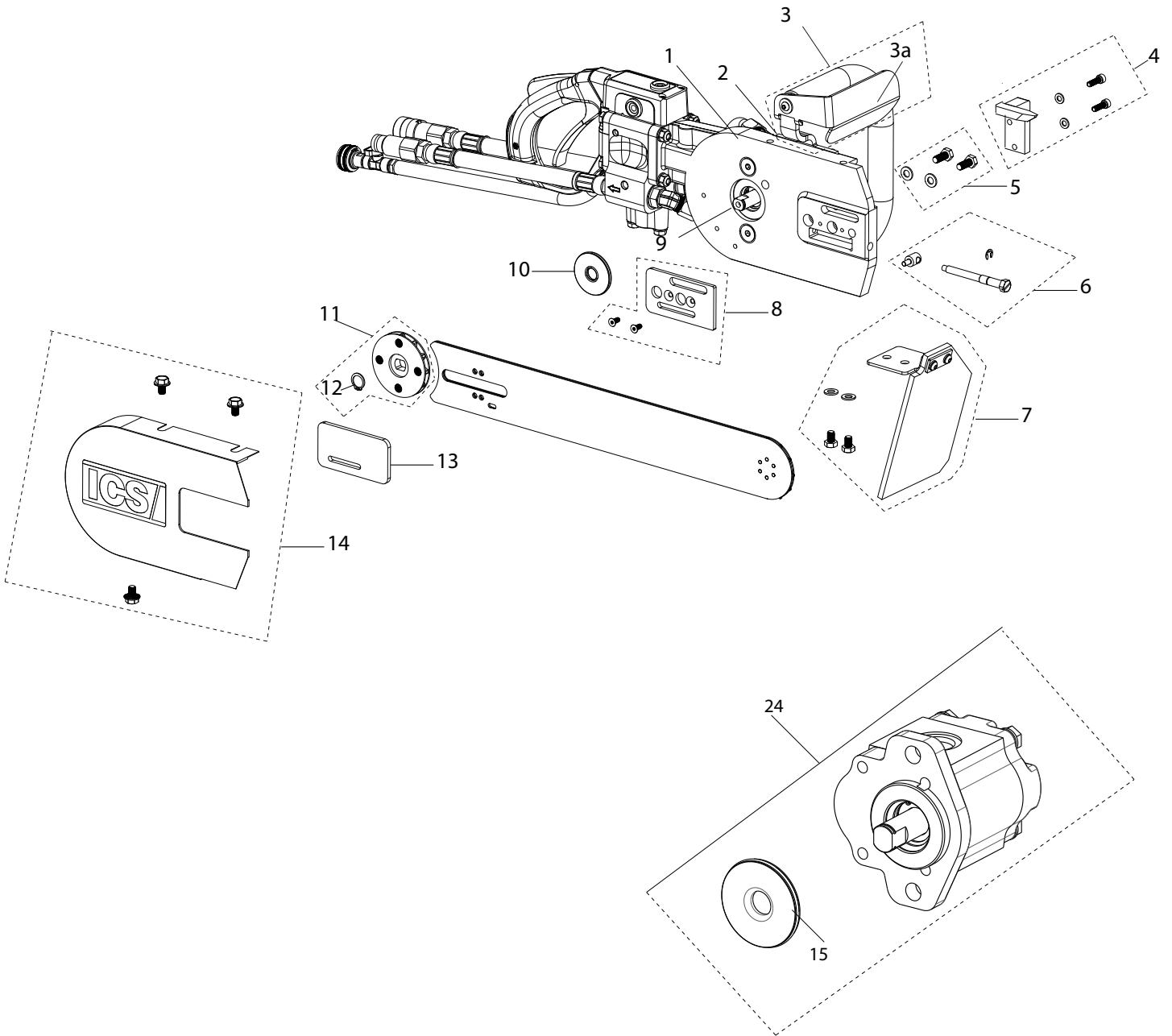
880/890 FLUSH Series Hydraulic Concrete Saw

ITEM DESCRIPTION	KEY	PAGE
880/890 FLUSH Series Hydraulic Saw Service Parts & Kits	n/a	2
880/890 FLUSH Series Hydraulic Saw Assembly	B	3-4

SERVICE PARTS & KITS

880/890 FLUSH Series Hydraulic Concrete Saw

Part No.	Description	
70619	880/890 FLUSH Series Tensioning Screws, Hydraulic Saws	13.65 €
71526	880/890 FLUSH Series Hydraulic Valve Spool Kit	91.40 €
72296	880/890 FLUSH Series Hydraulic Valve Seal Kit	29.40 €
72347	880/890 FLUSH Series Hydraulic Trigger Lock-Out Spring & Pin Kit	25.20 €
506026	880/890 FLUSH Series Hydraulic Trigger & Lock-Out Kit	40.95 €
507407	880/890 FLUSH Series Hydraulic Front Handle Fastener Kit	13.65 €
518869	880/890 FLUSH Series Hydraulic Water Valve Kit, includes clip, plunger, spring, ball & water bridge spindle	110.30 €
528594	880/890 FLUSH Series Motor Seal Kit	178.60 €
72342	880/890 FLUSH Series Hydraulic Motor Bolt Kit	24.15 €
565317	880/890 FLUSH Series Valve Cover with levels	112.40 €
72344	880/890 FLUSH Series Valve Bolt Kit	26.25 €
530046	880/890 FLUSH Series FORCE4™ Bar Nose Sprocket Repair Kit	44.00 €
566059	880/890 FLUSH Series Water Shut-off Valve Kit	62.00 €
564984	880/890 FLUSH Series Motor Conversion Kit with sprocket 8 gpm	700.75 €
564985	880/890 FLUSH Series Motor Conversion Kit with sprocket 12 gpm	700.75 €



Key #	Part No.	Description	
1	532512	880/890 FLUSH Series Mainframe Replacement Kit	365.60 €
2	564962	880/890 FLUSH Series Replacement Motor Kit 30 lpm	616.70 €
2	564983	880/890 FLUSH Series Replacement Motor Kit 45 lpm	616.70 €
3	523947	880/890 FLUSH Series Front Handle Kit (includes 3a) 30 lpm	208.00 €
3a	74586	880/890 FLUSH Series Front Handguard Kit 30 lpm	38.85 €
3	567102	880/890 FLUSH Series Front Handle Kit (includes 3a) 45 lpm	208.00 €
3a	517874	880/890 FLUSH Series Front Handguard Kit 45 lpm	38.85 €
4	524673	880/890 FLUSH Series WallWalker Spike Kit	245.85 €
5	524658	880/890 FLUSH Series Bar Clamp Bolt Kit	17.85 €
6	523946	880/890 FLUSH Series Tensioner Kit	56.75 €
7	576682	880/890 FLUSH Series Guard Flap Assembly Kit	62.00 €
8	523945	880/890 FLUSH Series Spacer Plate Kit	325.70 €
9	564923	880/890 FLUSH Series Shaft Conversion Kit w/Motor Seals 30 lpm	364.55 €
9	564924	880/890 FLUSH Series Shaft Conversion Kit w/ Motor Seals 45 lpm	364.55 €
10	528563	880/890 FLUSH External Shaft Seal	60.95 €
11	565066	890 FLUSH Series Drive Sprocket Kit (includes Snap ring) 30 lpm/45 lpm 890 ONLY	236.90 €
11	549761	880 FLUSH Series Drive Sprocket Kit (includes Snap ring) 30 lpm/45 lpm	241.65 €
12	549796	880/890 FLUSH Series Snap ring Kit	5.25 €
13	524657	880/890 FLUSH Series Bar Clamp Plate Kit	120.80 €
14	532515	880/890 FLUSH Series Side Cover Kit	335.15 €
		* All other replacement parts are the same as 890 Series	
		**Replacement parts for Trigger are listed on page 2	

890 FLUSH Series Replacement Parts & Accessories Price List

**ICS, Blount Europe, SA
Rue Emile Francqui, 5
1435 Mont-Saint-Guibert, Belgium
Tel +32 10 301 251 Fax +32 10 301 259
icsdiamondtools.com**