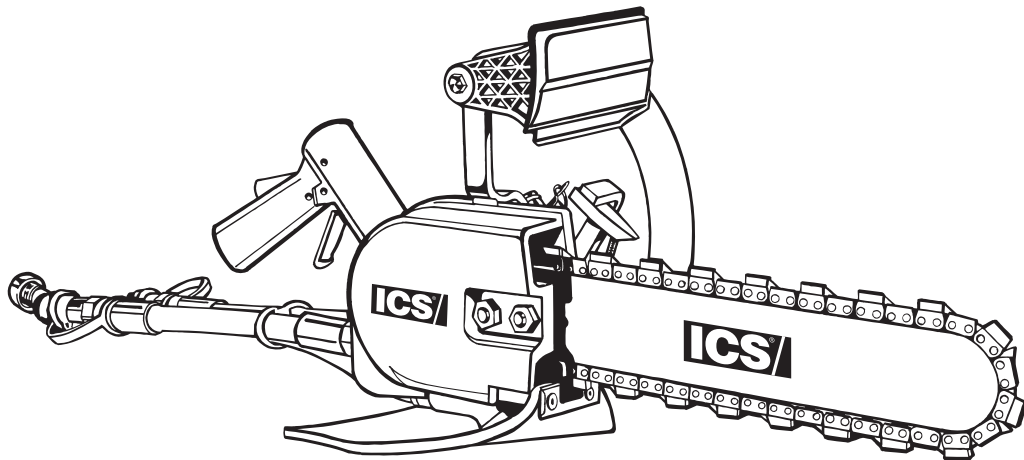




# Replacement Parts & Accessories Price List



## 814PRO Hydraulic Concrete Saw

Effective January 1, 2017

© 2017 ICS, Blount International Inc. Supersedes all previous pricing. Specifications and pricing are subject to change without notice.

# TABLE OF CONTENTS

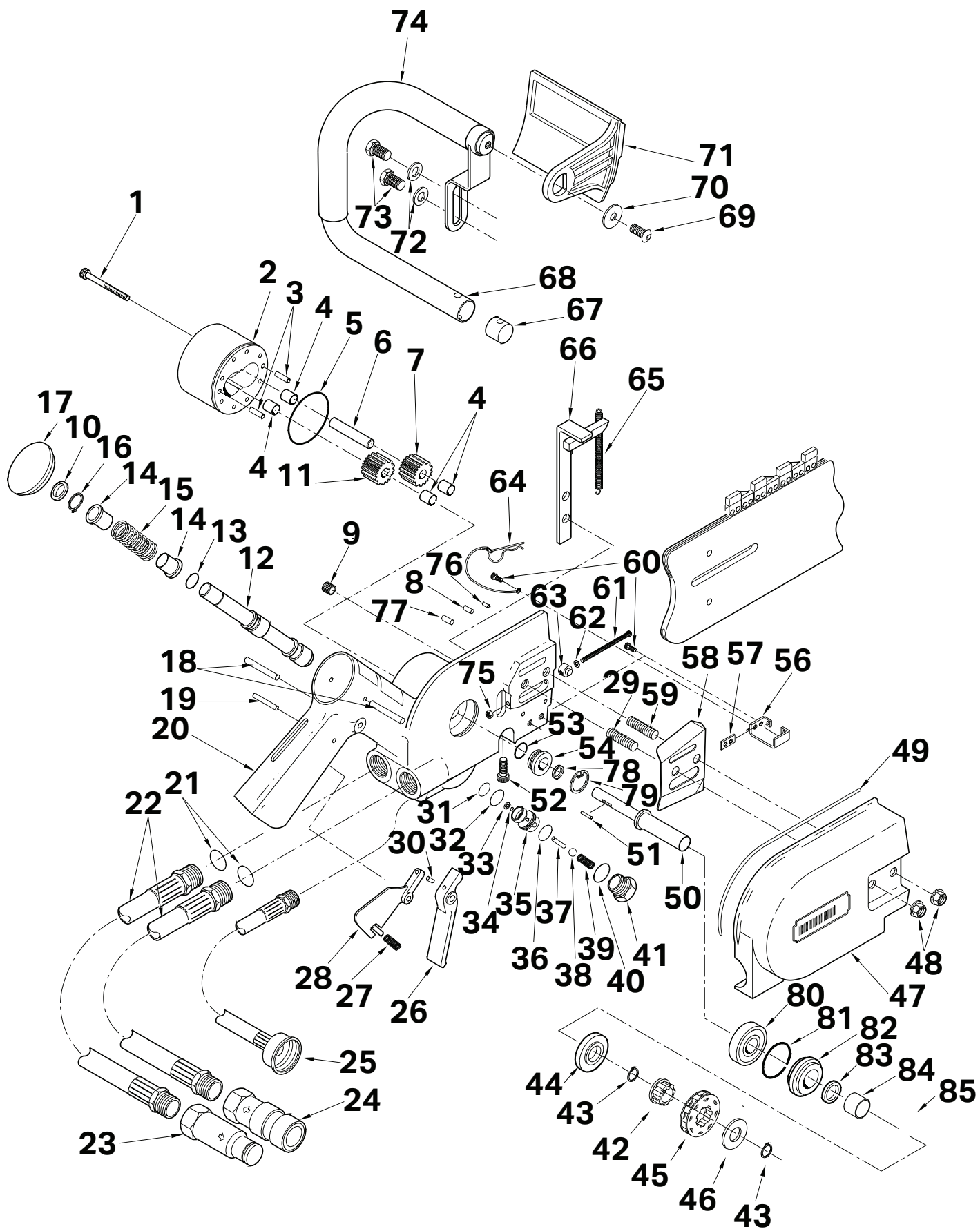
## 814PRO Hydraulic Concrete Saw

ITEM DESCRIPTION	KEY	PAGE
814PRO Hydraulic Saw Service Parts & Kits	n/a	iii
814PRO Hydraulic Saw Assembly (Parts 1-49)	A	1-2
814PRO Hydraulic Saw Assembly (Parts 49-98)	A	3-4

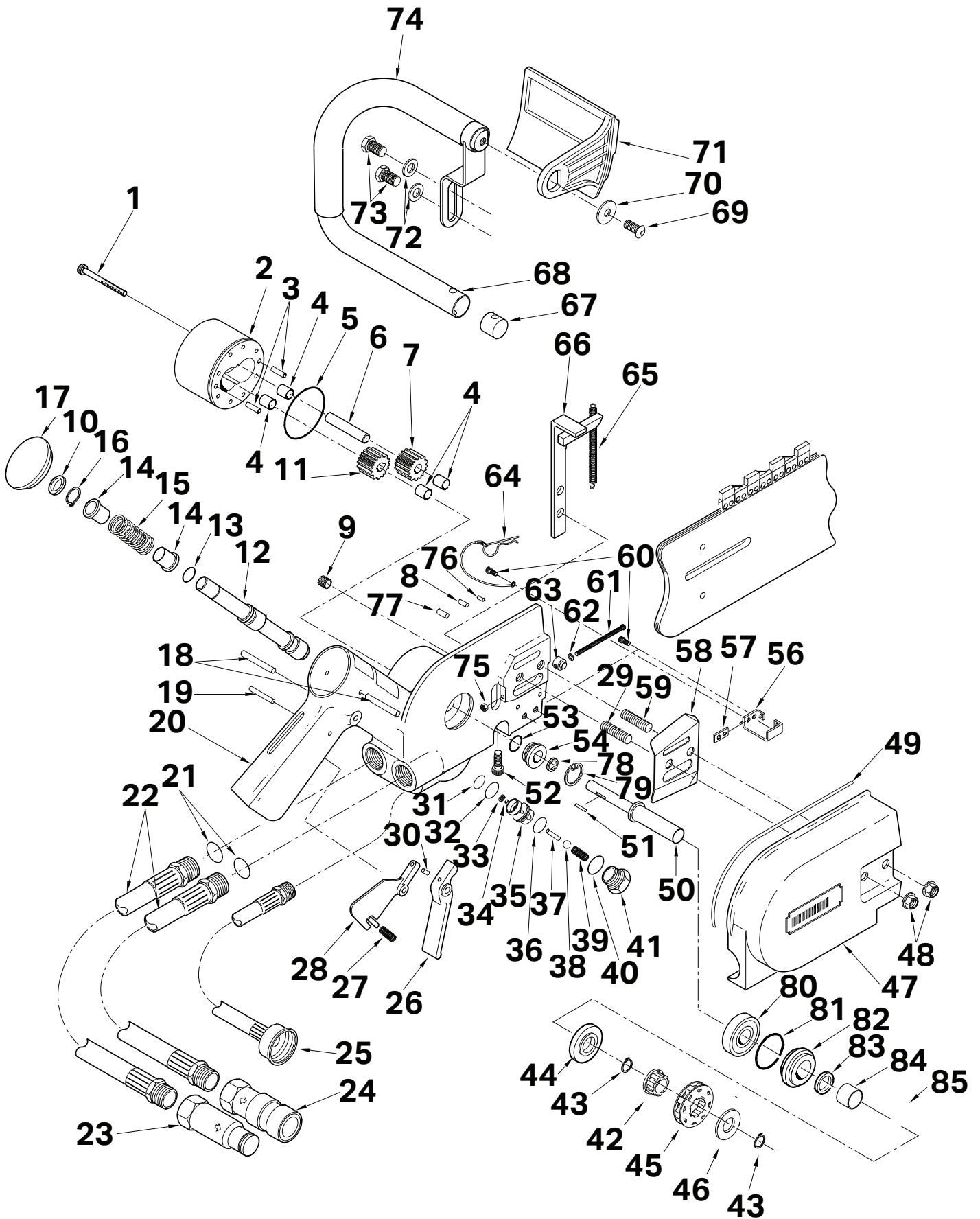
# SERVICE PARTS & KITS

## 814PRO Hydraulic Concrete Saw

<b>Part No.</b>	<b>Description</b>
71152	Tensioning Srench, Hydraulic Saws
71944	Water Valve Seal Kit, includes: 34, 35, 37, 39, & 43
71945	Motor Shaft Seal Kit, includes 7, 56, 90, 91, 93, & 95
74061	Chain Tensioning Assembly, includes 68, 69, 70, & 85



Key #	Part No.	Description
1	74514	HSH Cap Screw 10-24 x 1 1/4
2	74515	Rear Gear Housing Assembly
3	74516	Dowl Pin
4	74517	Bushing (4)
5	74518	O-Ring
6	74519	Idler Shaft
7	74520	Idler Gear
8	74021	WallWalker Pivot Pin
9	74597	1/8 NPT Plug
10	74596	Wiper Seal
11	74522	Drive Gear, with Keyway
12	74523	On-Off Valve
13	74524	Hydraulic Valve Seal
14	74525	Spring Washer
15	74526	Spring
16	74527	Retaining Ring, 1/2 External
17	74528	Plug Button
18	74529	Roll Pin
19	74530	Roll Pin
20	74531	Valve Handle Assembly includes 74540 & 74569
21	74532	O-Ring
22	74533	Pigtail Hose Assembly
23	74534	1/2 in (1.3 cm) Flush Face Coupler (M)
24	74535	1/2 in (1.3 cm) Flush Face Coupler (F)
25	74536	Water Hose Assembly
26	74537	Trigger
27	74538	Spring
28	74539	Safety Catch, Trigger Lock-Out
29	74540	Rear Stud
30	74542	Roll Pin
31	74543	O-Ring
32	74544	O-Ring
33	74545	Self Locking Retaining Ring
34	74546	O-Ring
35	74547	Water Valve Sleeve
36	74548	O-Ring
37	74549	Pin
38	74550	Steel Ball
39	74551	Spring
40	74552	O-Ring
41	74553	Seal Cap
42	71386	Splined Sprocket Adaptor
43	71384	External Shaft Retaining Ring
44	74497	Seal Spacer
45	71385	Rim Sprocket
46	71388	Tabbed Washer



Key #	Part No.	Description
47	71940	Side Cover Replacement Kit
48	74558	Flange Nut, M10
49	74559	Sprocket Side Cover Seal
50	71383	814PRO Motor Shaft Replacement
51	74561	Needle Roller
52	74562	HSH Cap Screw 5/15-18 x 3/4
53	74563	Shaft Seal
54	74564	Seal Back Up Washer
55	74591	Guard Flap Assembly (Not shown)
56	74566	Guard Flap Mount
57	74567	Spacer
58	74568	Bar Mount Cover Plate
59	74569	Front Stud
60	74570	HSH Cap Screw 1/4-20 x 5/8
61	74571	Machine Screw
62	74572	Stat-O-Seal
63	74573	Bar Adjustment Nut
64	74019	Lanyard Assembly
65	74582	WallWalker Spring
66	74583	WallWalker Arm, with Spring
67	74574	Handle Bar Retainer
68	74575	Handle Bar
69	74584	Guard Mounting Bolt
70	74585	Guard Mounting Washer
71	74586	Front Handguard
72	74576	Washer
73	74577	HH Cap Screw 5/16-18 x 5/8, Zinc
74	74588	Handlebar Grip
75	74579	Nut 1/4-20 HHD LT SST
76	74580	Spiral Pin
77	74581	Spiral Pin
78	74493	Quad-Ring
79	74565	Retaining Ring
80	74554	Shaft Bearing Race
81	74498	O-Ring
82	74495	Seal Washer
83	74494	V-Ring
84	74496	Seal Ring
85	74555	Retaining Ring

**814PRO Replacement Parts & Accessories Price List**

**ICS, Blount Europe, SA  
Rue Emile Francqui, 5  
1435 Mont-Saint-Guibert, Belgium  
Tel +32 10 301 251 Fax +32 10 301 259  
[icsdiamondtools.com](http://icsdiamondtools.com)**