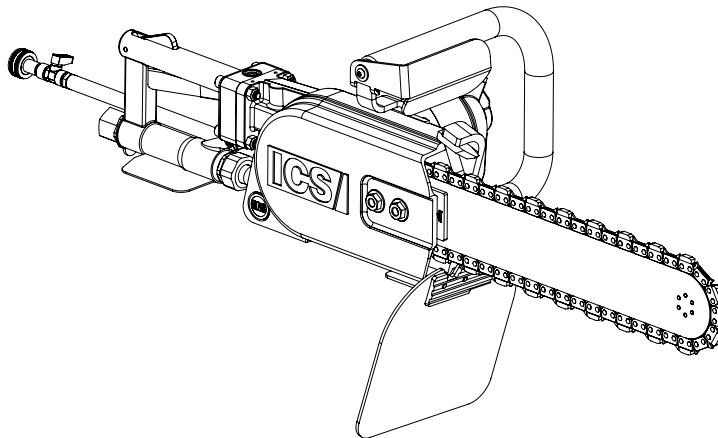


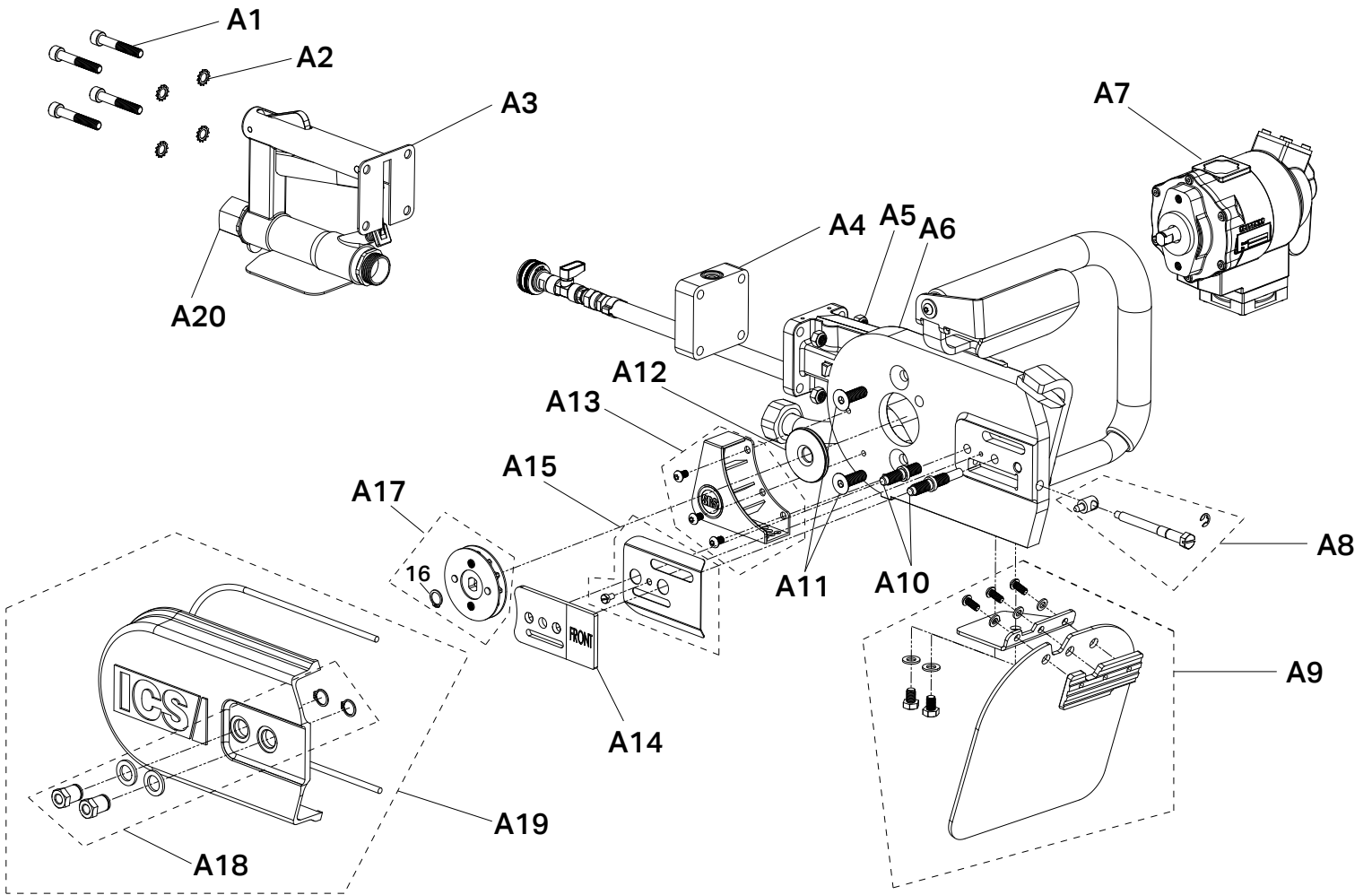


**Diamond Tools and Equipment
for Construction and Infrastructure**

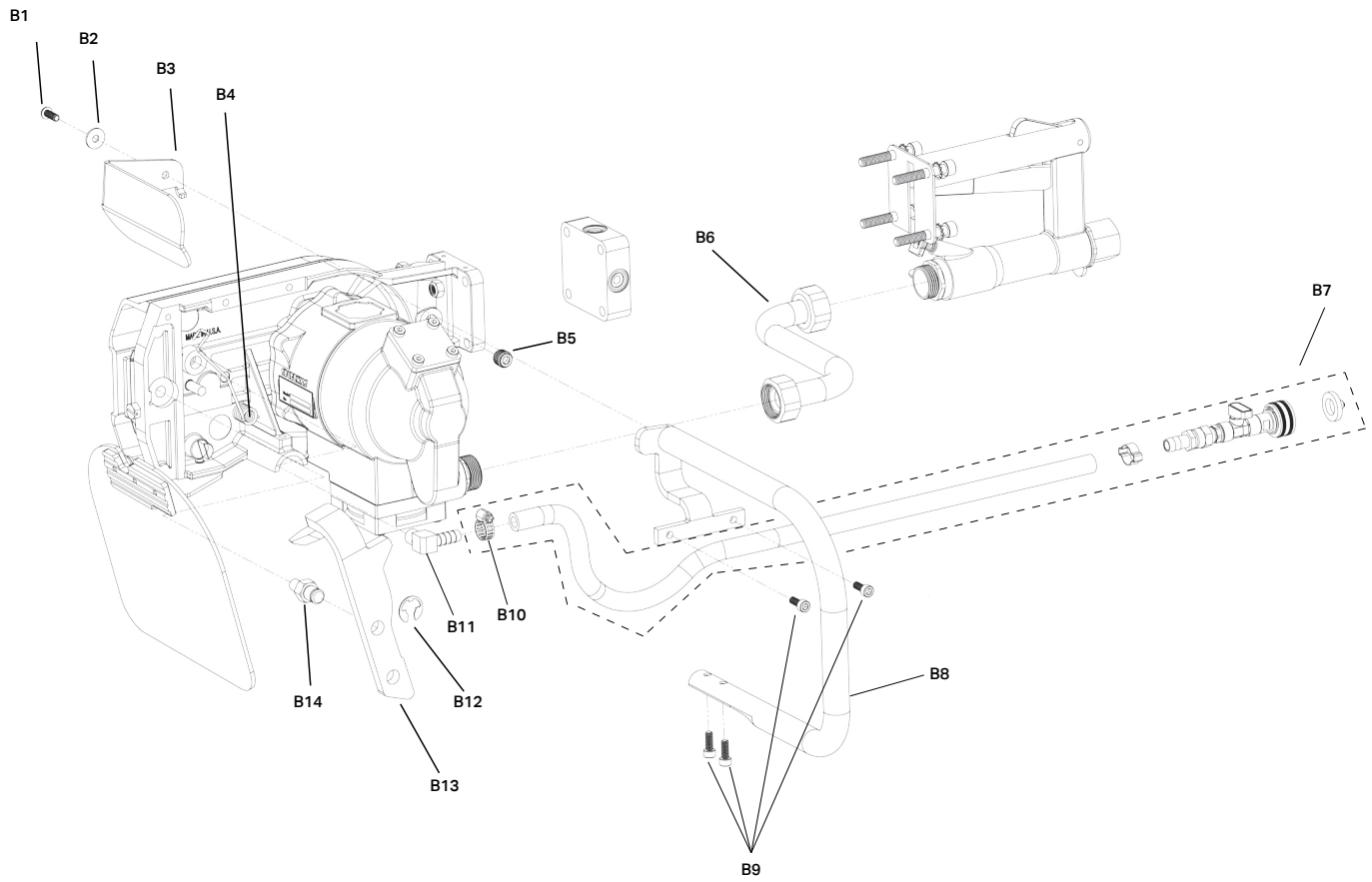
AIR POWERED CONCRETE CUTTING CHAINSAW



Model # 701-A REPLACEMENT PARTS PRICE LIST



Key #	Part No.	Description
A1	576557	Rear Handle Screw
A2	576558	Rear Handle Washer
A3	576467	Rear Handle
A4	576559	Level Block
A5	70135	Rear Handle Nylock Nut
A6	574206	Mainframe
A7	576468	Motor
A8	70636	Tensioner Kit
A9	576336	Mud Flap Assembly
A10	72349	Bar Mounting Studs
A11	576573	Bolt, Motor Mount
A12	528563	External Shaft Seal Kit
A13	512592	Baffle Drain Replacement Kit
A14	70628	Bar Retainer Plate
A15	70627	Bar Mount Cover Plate
A16	549796	Snap Ring
A17	565065	Drive Sprocket (includes snap ring)
A18	70639	Retaining Nut Kit (set of 2)
A19	528564	Side Cover Replacement Kit
A20	576613	NPT Fitting 3/4 x 14"



Key #	Part No.	Description
B1	71005	Screw M6 x 16 BSHCS Plated
B2	71004	Washer M6 Plated
B3	576326	Front Handle Guard
B4	70640	Torsion Spring, WallWalker®
B5	504766	1/4" NPT Hex Plug, S.S.
B6	576466	Connection Tube (fitting included)
B7	576527	Water Shut-Off Sub Assy, 2 ft.
B8	576325	Front Handle Assembly
B9	71097	Screw M6 x 16 SHCS plated
B10	71133	Screw Hose Clamp
B11	71065	90 degree water fitting
B12	71896	WallWalker® Stud C-Clip
B13	70873	Lever Arm
B14	70874	Pro Pivot Stud

NOT SHOWN

Part No.	Description
70619	Tensioning Scrench
540291	Side Cover Gasket
530046	701A Series FORCE4™ Bar Nose Sprocket Repair Kit
575014	701-A Tune-up Kit ¹
575015	701-A Repair Kit - includes tune up kit ²
575013	Airpac, pneumatic saw oiler
575107	PROLUBE - Atl 1 gal. bottle
575108	PROLUBE - Atl 4 gal case
575109	PROLUBE ATL/AF 1 gal. bottle
575110	PROLUBE, ATL/AF 4 gal case
575105	PROLUBE-ATL/AF 1 quart bottle
575111	PROLUBE, ATL/AF 12 quarts
575096	Rotor with drive shaft
575097	Vane, 701-A motor
575098	End Plate, 701-A Motor Rear
575099	End Plate, 701-A Motor Front
575130	OILER, w/hose whip, 3/4 X 6 ft
576349	Grooved Ball Bearing 701-A Motor
576350	Grooved Ball Bearing 701-A Motor
576355	Ball
576567	Trigger Lock Out Bolt
576566	Valve Lifter
576565	Roll Pin, Trigger Rear
576564	Roll Pin, Trigger Rear
576354	Belleville Spring, 701-A Motor
576353	Spring, 701-A Valve
576562	Lock Out Spring
576561	Spring 701-A Plunger
567560	O-ring 701-A Valve
576357	O-ring 701-A Motor
576352	Sealing Ring, 701-A Valve
576728	Coupler, 3/4 Universal Air Intake Saw End
576739	Coupler, 3/4 Universal Hose Barb End

¹Tune-up kit includes: Grooved ball bearing (2), Vane (7), O ring (4), gasket (1), pressure spring (2)

² Repair-up kit includes: Cylinder bushing, end plate (2), spacer ring (2), bras (2), rotor (1), tuning-up kit

This page intentionally left blank

701A SERIES REPLACEMENT PARTS LIST

**ICS, Blount Inc.
Rue Emile Francqui 5
1435 Mont-Saint-Guibert, Belgium
Tel +49 (0)7071 970450 Fax +32 10 301 259
icsdiamondtools.com**