

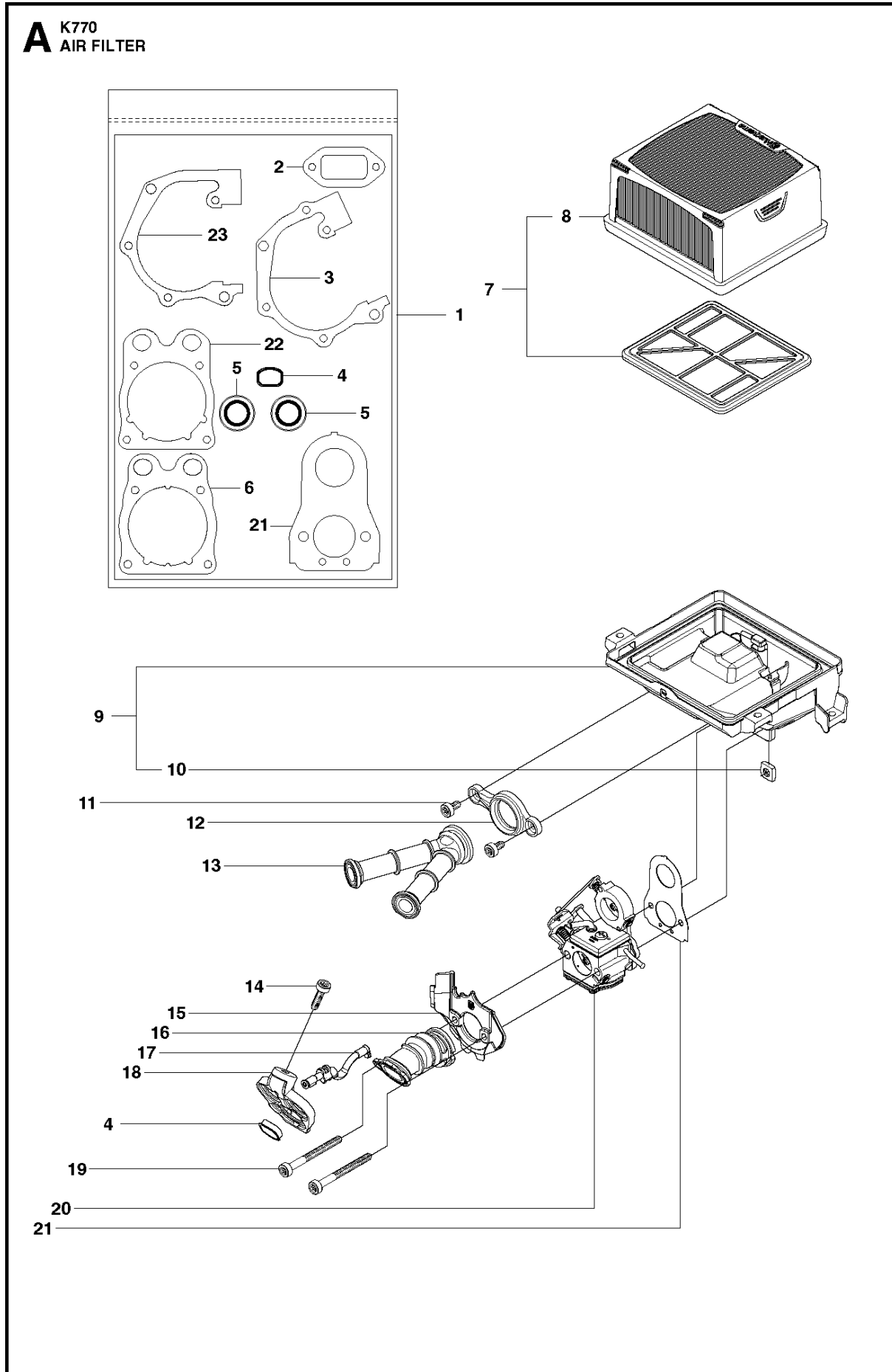


SPARE PARTS LIST

POWER CUTTERS

K 770, 2017-11

A K770
AIR FILTER

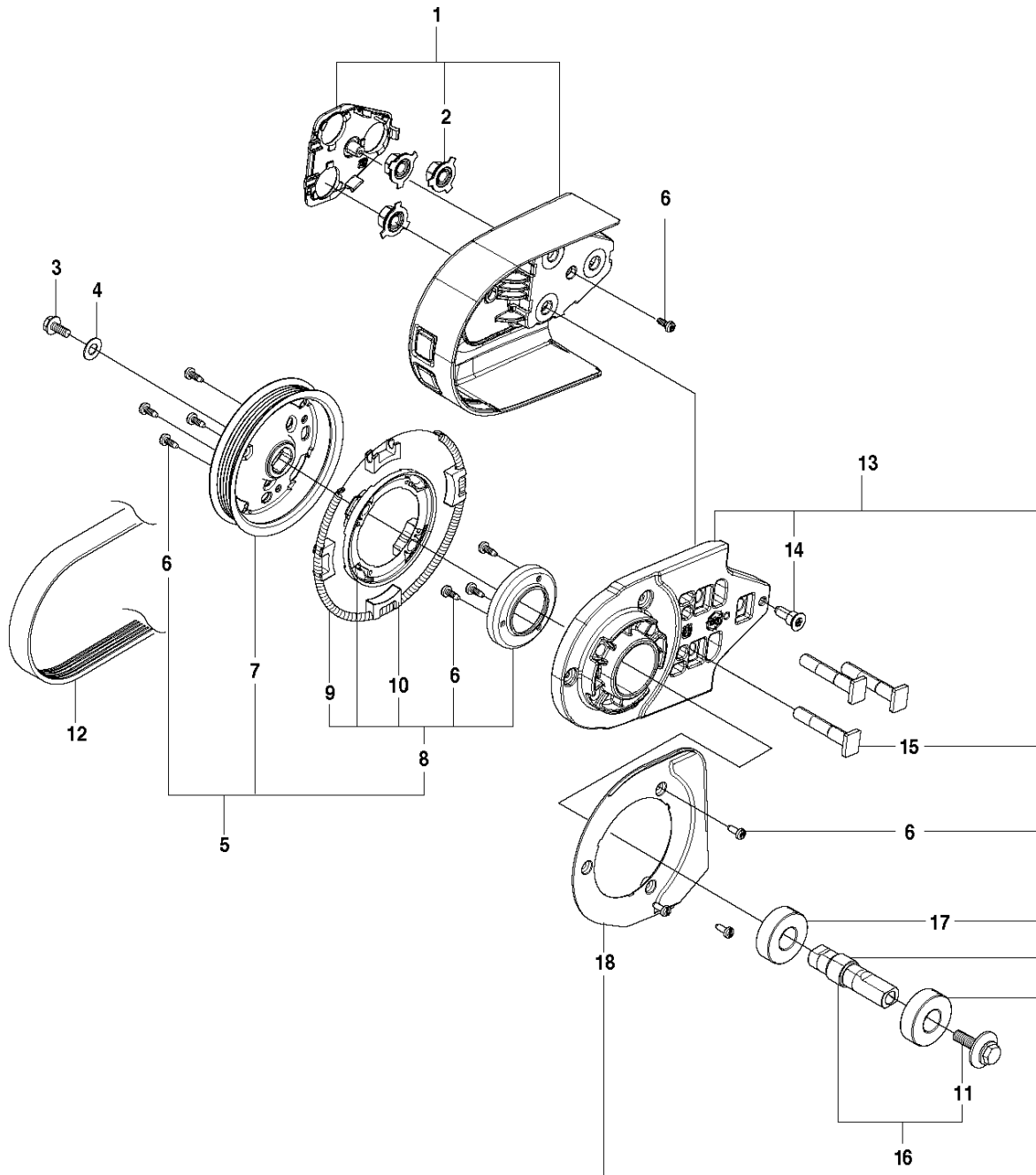


AIR FILTER

K 770, 2017-11

| Ref | Part No | Description | Remark | QTY KIT | |
|-----|--------------|---------------------|----------------------|---------|---------------------------------|
| 1 | 581 35 74-02 | GASKET KIT | incl. 2 - 6, 21 - 23 | 1 | 2, 23, 3, 22, 5, 4, 6, 21 |
| 2 | 588 93 25-01 | GASKET | | 1 | 1 |
| 3 | 506 37 70-03 | GASKET | | 1 | 1 |
| 4 | 544 21 93-02 | INSERT | | 1 | 1 |
| 5 | 503 26 02-04 | SEALING RING | Blue | 2 | 1 |
| 6 | 581 28 53-01 | GASKET | | 1 | 1 |
| 7 | 574 36 23-02 | AIR FILTER ASSY | Incl. 8 | 1 | 8 |
| 8 | 525 47 06-02 | AIR FILTER ASSY | | 1 | 7 |
| 9 | 575 35 40-01 | CARBURETTOR BRACKET | Incl. 10 | 1 | 10 |
| 10 | 503 22 65-04 | SQUARE NUT | | 4 | 9 |
| 11 | 503 21 53-10 | SCREW ITXSCM | | 2 | |
| 12 | 506 37 06-01 | FLANGE INLET PIPE | | 1 | |
| 13 | 525 73 32-01 | INLET PIPE | | 1 | |
| 14 | 503 21 53-20 | SCREW ITXSCM | | 1 | |
| 15 | 576 89 01-01 | HEAT SHIELD | | 1 | |
| 16 | 525 73 31-01 | INLET PIPE | | 1 | |
| 17 | 586 22 77-01 | IMPULSE HOSE | | 1 | |
| 18 | 574 23 18-02 | PLATE | | 1 | |
| 19 | 503 21 53-56 | SCREW ITXSCM | | 2 | |
| 20 | 578 24 34-01 | CARBURETTOR | Zama C3-EL53 | 1 | |
| 21 | 506 37 67-01 | CYLINDER | | 1 | 1 |
| 22 | 506 37 67-01 | CYLINDER | | 1 | 1 |
| 23 | 506 37 70-02 | GASKET | | 1 | 1 |

C K770
BELT GUARD & PULLEY

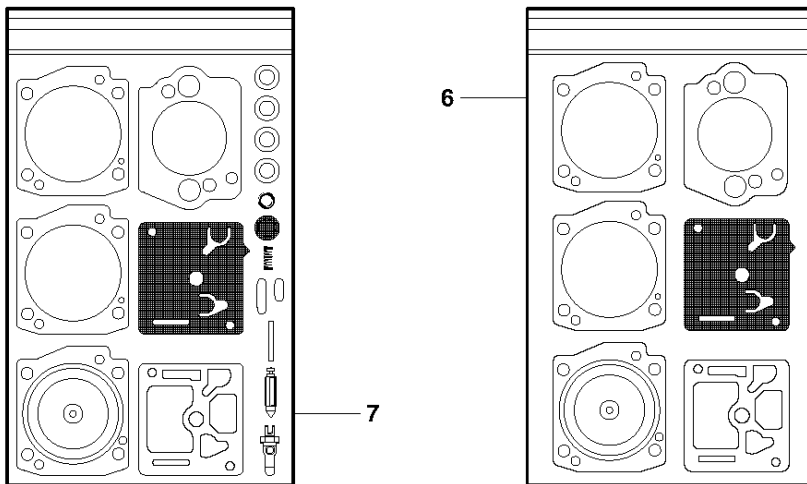
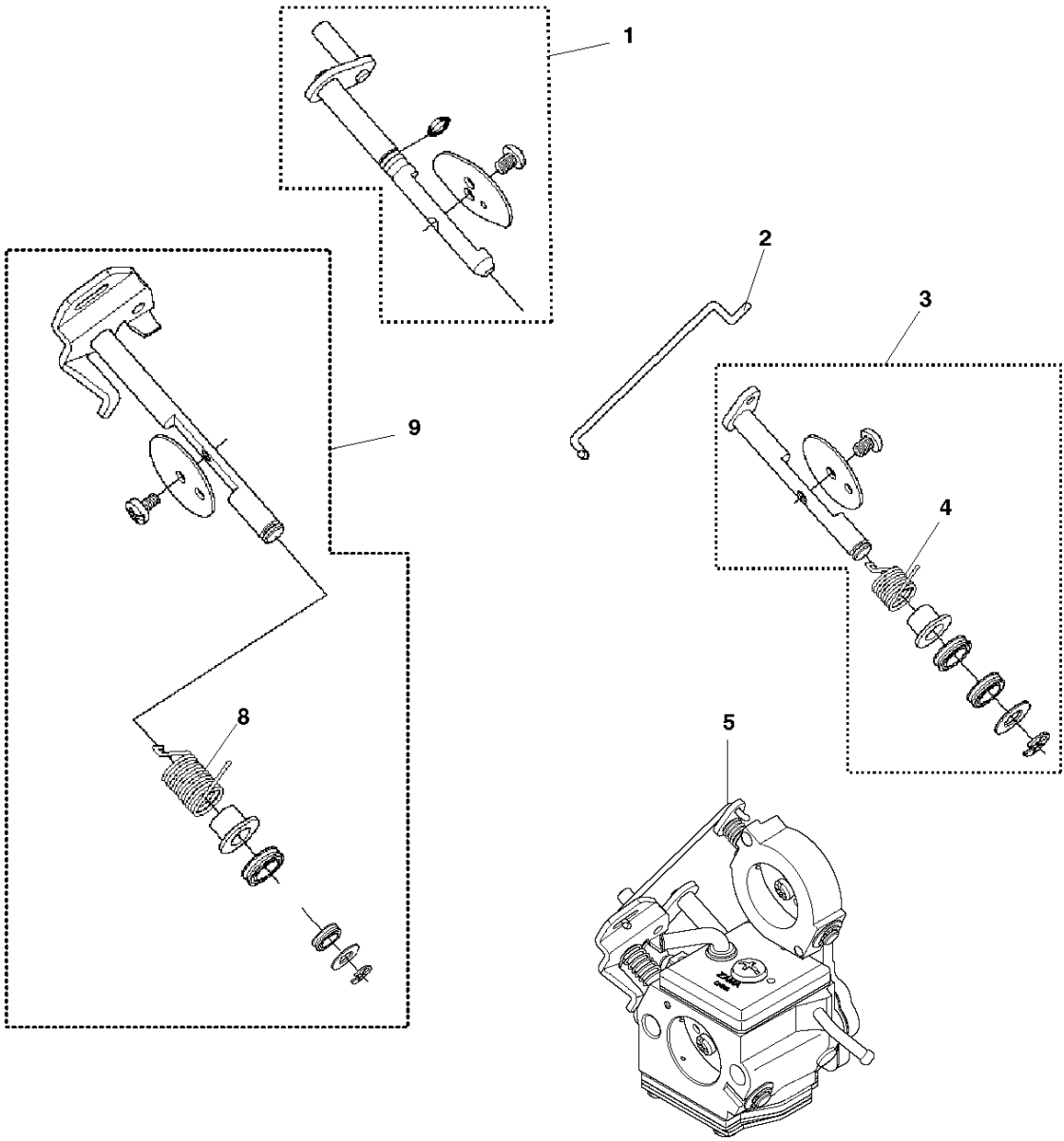


BELT GUARD & PULLEY

K 770, 2017-11

| Ref | Part No | Description | Remark | QTY | KIT |
|-----|--------------|----------------------|--------|-----|--|
| 1 | 501 05 71-03 | BELT GUARD | | 1 | 2 |
| 2 | 586 74 37-01 | NUT WASHER | | 3 | 1 |
| 3 | 503 20 00-45 | SCREW EHHFM | | 1 | |
| 4 | 503 23 01-16 | WASHER | | 1 | |
| 5 | 588470403 | TBD | | 1 | 6, 7, 8 |
| 6 | 525 88 74-02 | SCREW CITXPANT | | 11 | |
| 7 | 590 89 58-01 | PULLEY | | 1 | |
| 8 | 505 44 54-05 | CASSETTE | | 1 | |
| 9 | 544 44 10-01 | DRAW SPRING | | 1 | |
| 10 | 544 44 04-02 | BRAKE SHOE | | 4 | |
| 11 | 590 50 38-01 | SCREW | | 1 | |
| 12 | 544 90 84-06 | BELT | | 1 | |
| 13 | 588 99 20-01 | BEARING HOUSING ASSY | | 1 | 6, 11, 13, 14, 15, 16, 17, 18 |
| 14 | 584 99 43-01 | SCREW | | 1 | |
| 15 | 503 87 54-02 | BAR BOLT | | 3 | |
| 16 | 588 99 24-03 | SHAFT | | 1 | |
| 17 | 583 95 33-01 | BALL BEARING | | 2 | |
| 18 | 586 80 10-02 | SLIP RING HOLDER | | 1 | |

D K770
CARBURETTOR

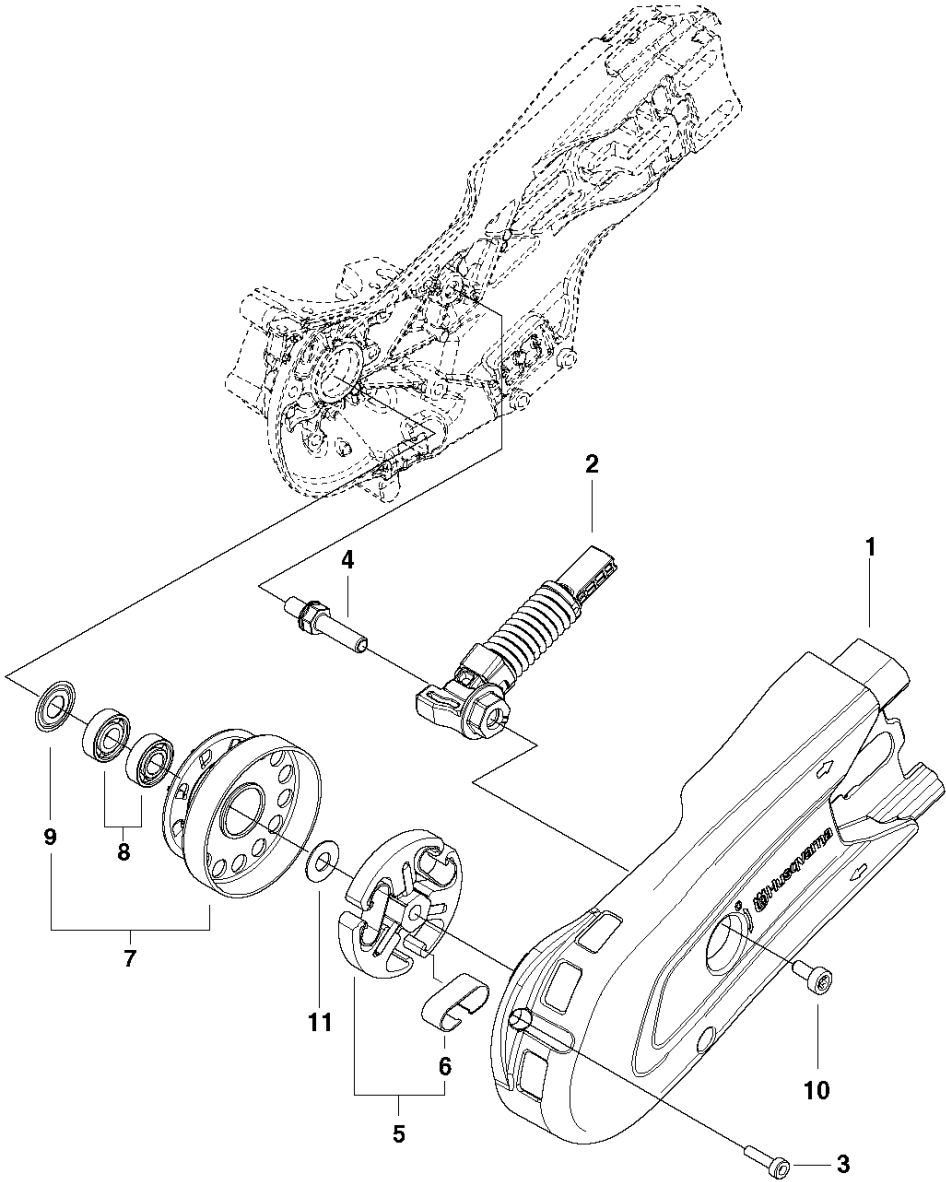


CARBURETOR

K 770, 2017-11

| Ref | Part No | Description | Remark | QTY KIT |
|-----|--------------|----------------|--------------|---------|
| 1 | 593 31 00-01 | CHOKE SHAFT | | 1 |
| 2 | 506 39 65-01 | ROD | | 1 |
| 3 | 593 33 29-01 | VALVE KIT | | 1 |
| 4 | 506 39 75-01 | SPRING | | 1 |
| 5 | 578 24 34-01 | CARBURETTOR | Zama C3-EL53 | 1 |
| 6 | 506 40 99-02 | GASKET KIT | | 1 |
| 7 | 506 41 00-04 | GASKET KIT | | 1 |
| 8 | 544 83 65-01 | SPRING | | 1 |
| 9 | 593 30 99-01 | THROTTLE SHAFT | | 1 |

G K770
CLUTCH

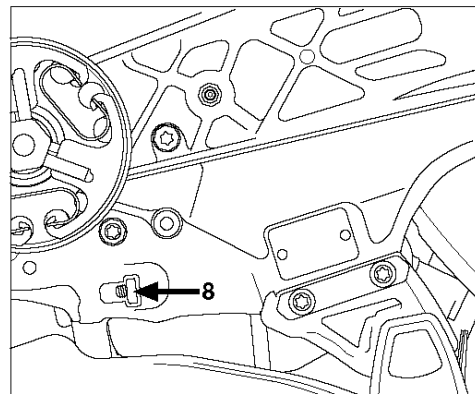
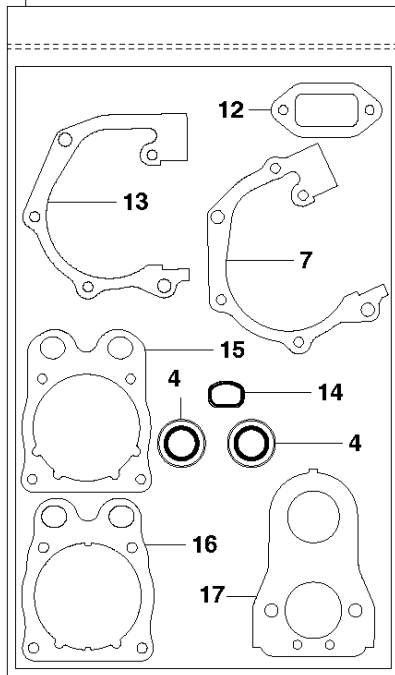
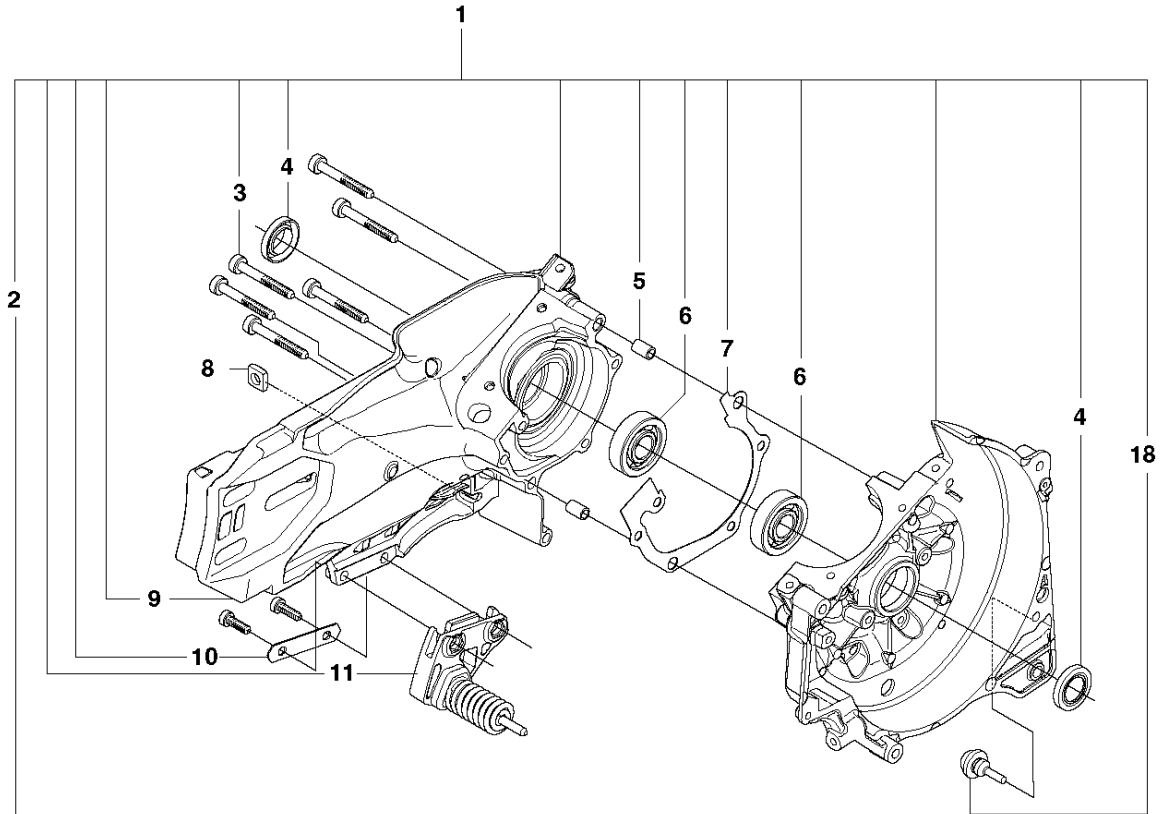


CLUTCH

K 770, 2017-11

| Ref | Part No | Description | Remark | QTY KIT |
|-----|--------------|---------------------|--------|---------|
| 1 | 586 09 92-01 | BELT GUARD | | 1 |
| 2 | 583 84 22-01 | BELT TENSIONER ASSY | | 1 |
| 3 | 501 98 10-20 | SCREW ITXSCM | | 2 |
| 4 | 583 85 16-01 | PIVOT PIN | | 1 |
| 5 | 503 74 44-06 | CLUTCH ASSY | | 1 |
| 6 | 503 74 43-01 | CLUTCH SPRING | | 3 |
| 7 | 590 80 59-01 | DRIVING PULLEY | | 1 |
| 8 | 525 83 18-01 | BALL BEARING | | 2 |
| 9 | 506 31 69-01 | DUST COVER | | 1 |
| 10 | 501 98 10-01 | SCREW ITXSCM | | 1 |
| 11 | 503 23 00-70 | WASHER | | 1 |

E K770
CRANKCASE

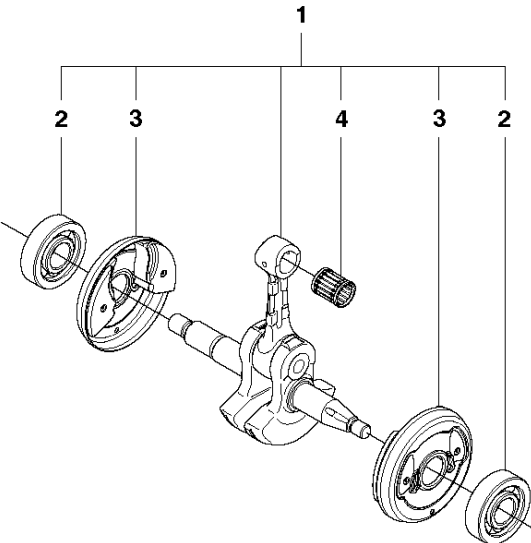


CRANKCASE

K 770, 2017-11

| Ref | Part No | Description | Remark | QTY KIT |
|-----|--------------|-----------------|---------------------|---------|
| 1 | 593 28 25-01 | CRANKCASE KIT | Incl. 2-7, 9-11, 18 | 1 |
| 2 | 581 35 74-02 | GASKET KIT | 4, 7, 12-17 | 1 |
| 3 | 503 21 53-41 | SCREW ITXSCM | | 6 |
| 4 | 503 26 02-04 | SEALING RING | | 2 |
| 5 | 501 27 08-01 | GUIDE BUSHING | | 2 |
| 6 | 738 22 02-25 | BALL BEARING | | 2 |
| 7 | 506 37 70-03 | GASKET | Six hole | 1 |
| 8 | 503 22 65-04 | SQUARE NUT | | 1 |
| 9 | 503 21 53-16 | SCREW ITXSCM | | 2 |
| 10 | 522 47 48-01 | PLATE | | 1 |
| 11 | 522 47 57-02 | SPRING RETAINER | | 1 |
| 12 | 588 91 51-01 | HEAT DEFLECTOR | | 1 |
| 13 | 506 37 70-02 | GASKET | Five hole | 1 |
| 14 | 506 37 67-01 | CYLINDER | | 1 |
| 15 | 544 21 93-02 | INSERT | | 1 |
| 16 | 581 28 53-01 | GASKET | | 1 |
| 17 | 506 37 68-04 | GASKET | | 1 |
| 18 | 503 84 61-01 | BUFFER | | 1 |

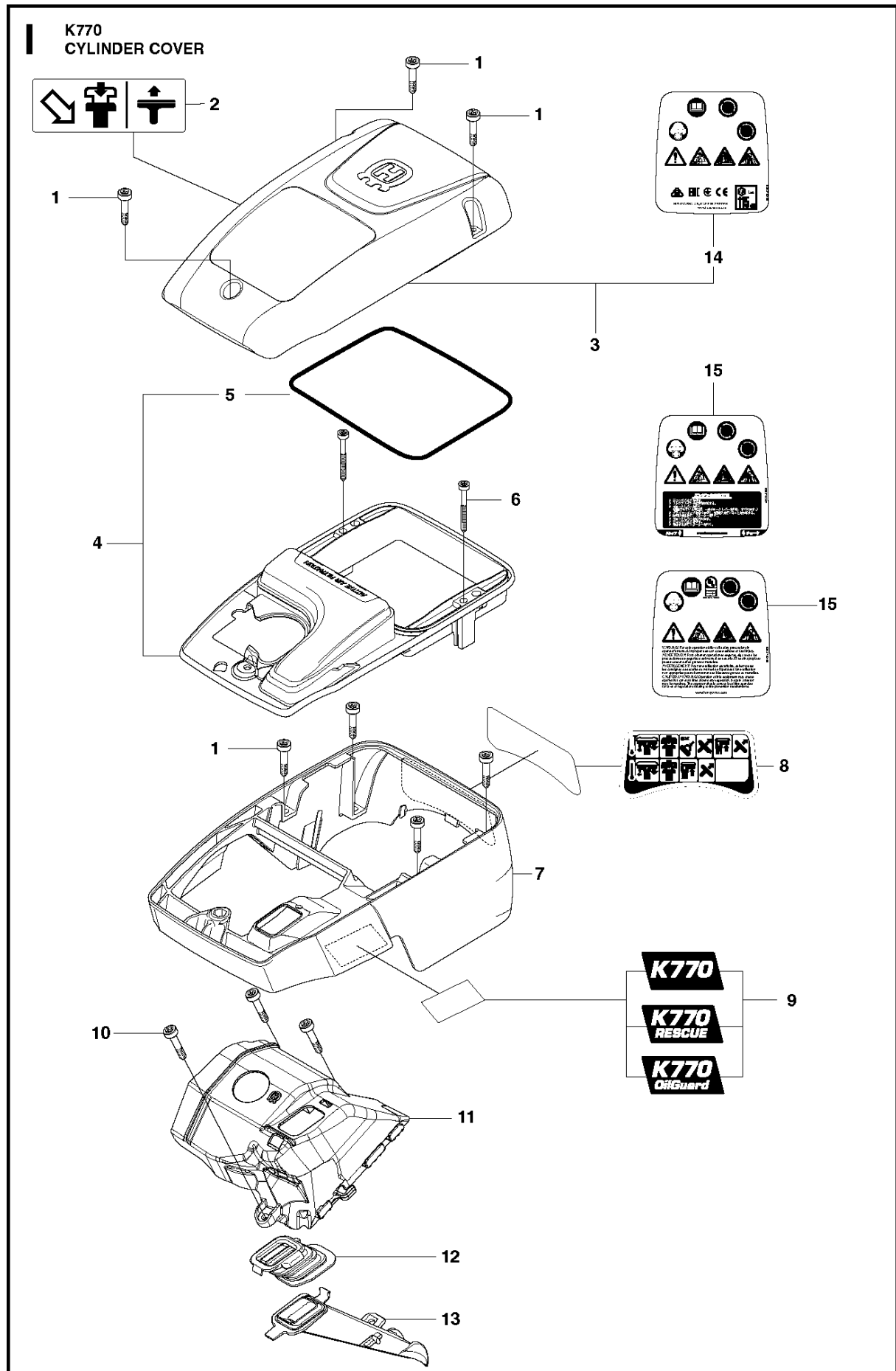
F K770
CRANKSHAFT



CRANKSHAFT

K 770, 2017-11

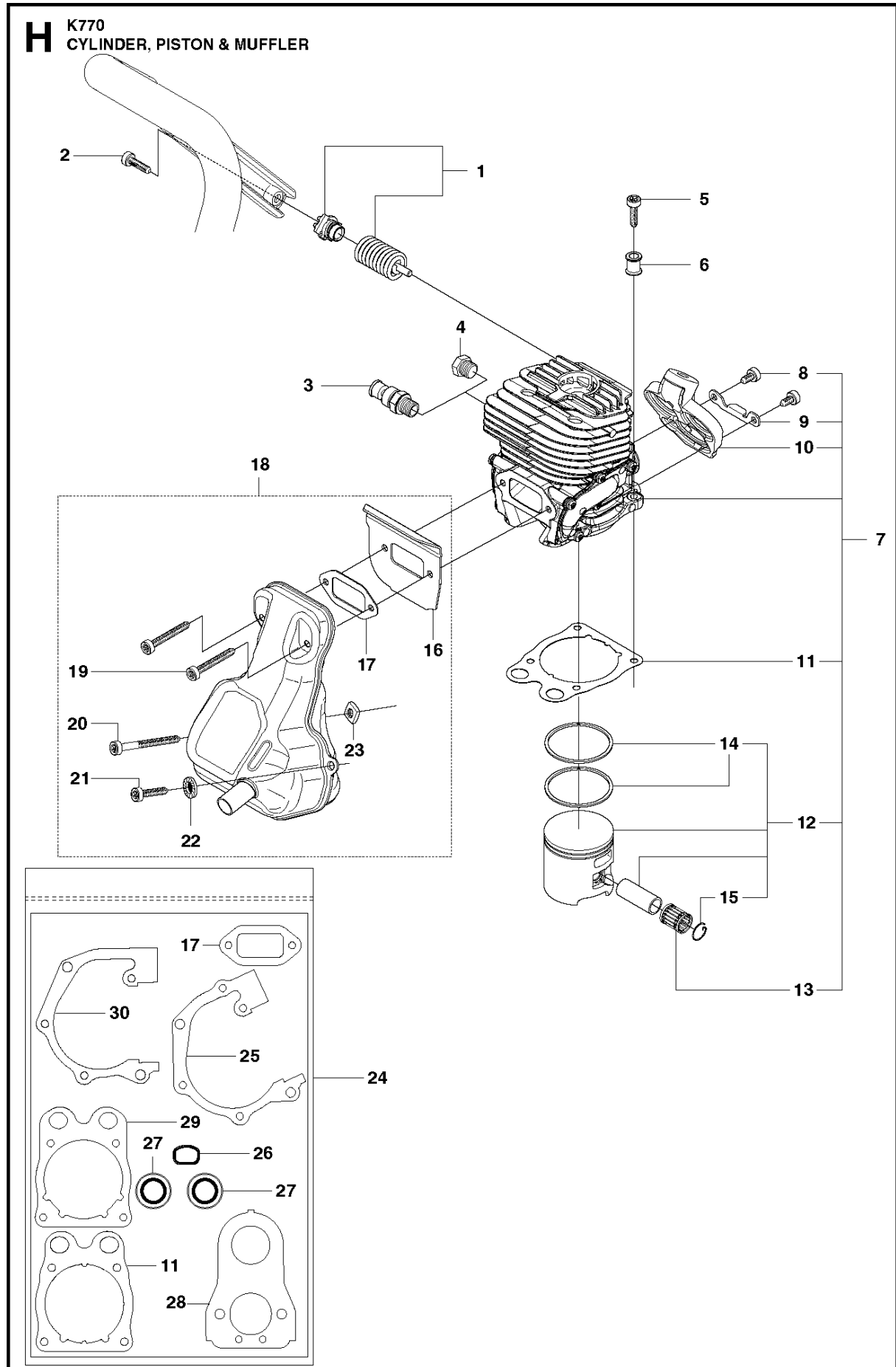
| Ref | Part No | Description | Remark | QTY | KIT |
|-----|--------------|-----------------|-------------|-----|---------|
| 1 | 502 29 50-02 | CRANKSHAFT ASSY | Incl. 2 - 4 | 1 | 2, 3, 4 |
| 2 | 738 22 02-25 | BALL BEARING | | 2 | |
| 3 | 537 20 33-01 | CUP | | 2 | |
| 4 | 503 25 41-01 | NEEDLE BEARING | | 1 | |



CYLINDER COVER

K 770, 2017-11

| Ref | Part No | Description | Remark | QTY KIT |
|-----|--------------|--------------------|--------------------|---------|
| 1 | 503 21 53-21 | SCREW ITXSCM | | 7 |
| 2 | 525 76 35-02 | DECAL | | 1 |
| 3 | 583 96 52-08 | FILTER COVER ASSY | incl. 14 | 1 |
| 4 | 574 36 21-03 | FILTER HOLDER ASSY | Incl. 5 | 1 |
| 4 | 574 36 21-04 | FILTER HOLDER ASSY | Incl. 5. OIL GUARD | 1 |
| 5 | 575 35 50-01 | SEALING STRIP | | 1 |
| 6 | 503 21 53-49 | SCREW ITXSCM | | 2 |
| 7 | 506 36 70-03 | CYLINDER COVER | | 1 |
| 8 | 579 24 03-01 | DECAL | | 1 |
| 9 | 574 23 16-05 | DECAL | | 1 |
| 9 | 574 23 16-07 | DECAL | Rescue | 1 |
| 9 | 574 23 16-06 | DECAL | Oil Guard | 1 |
| 10 | 501 98 10-20 | SCREW ITXSCM | | 3 |
| 11 | 574 45 94-01 | COVER | | 1 |
| 12 | 506 37 04-01 | BELLOWS | | 1 |
| 13 | 525 58 43-01 | AIR NOZZLE | | 1 |
| 14 | 586 37 93-06 | DECAL | Generic | 1 |
| 15 | 586 37 93-05 | DECAL | | 1 |
| 15 | 586 37 93-07 | DECAL | Japan Only | 1 |



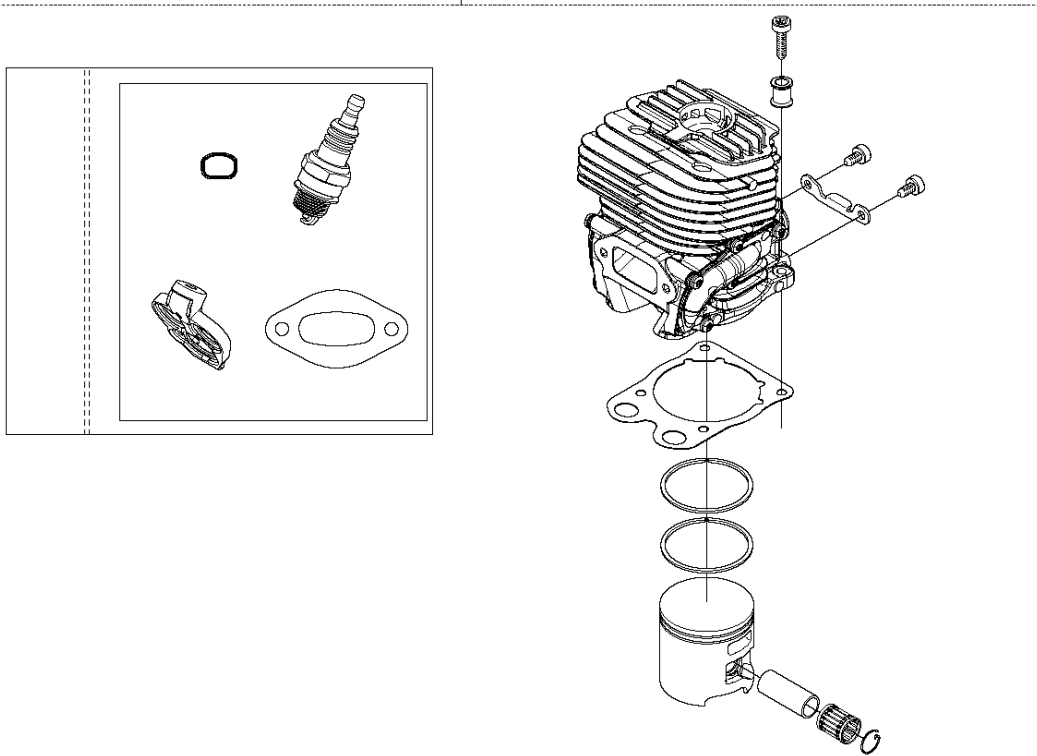
CYLINDER, PISTON & MUFFLER

K 770, 2017-11

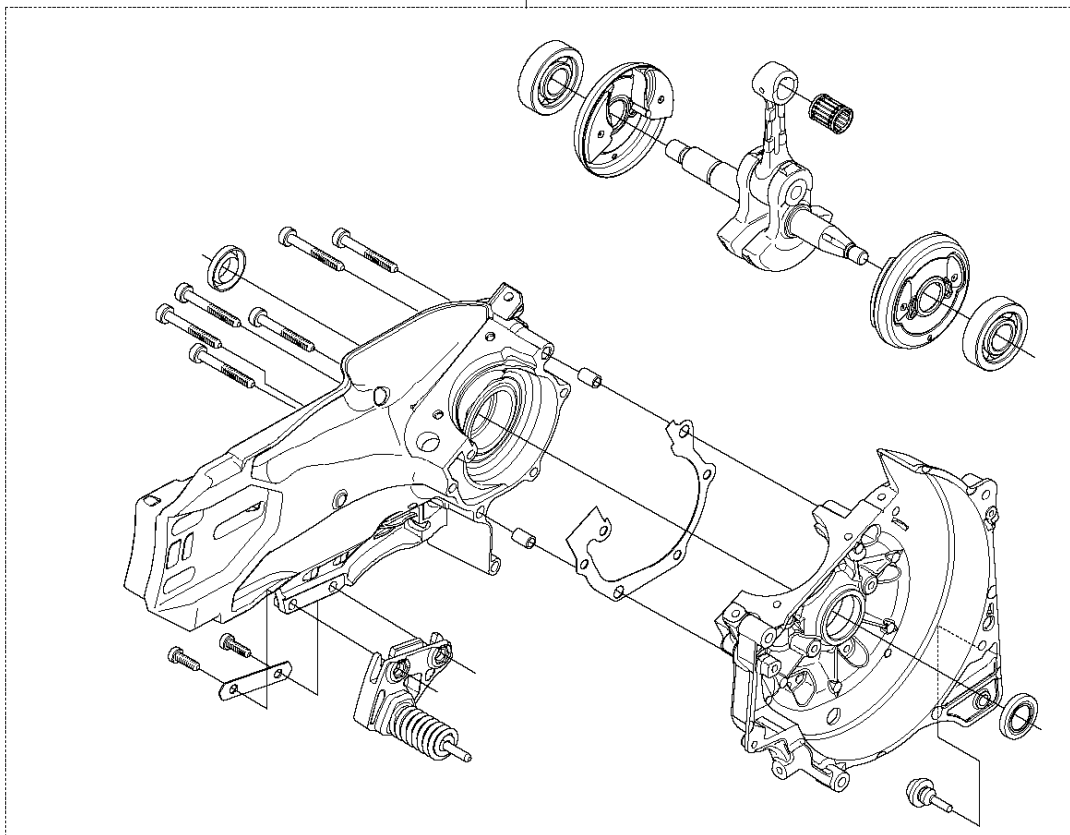
| Ref | Part No | Description | Remark | QTY KIT |
|-----|--------------|-----------------------|-----------------------|---------|
| 1 | 579 74 42-02 | ANTIVIBRATION ELEMENT | | 1 |
| 2 | 544 06 12-01 | SCREW ITXSCM | | 1 |
| 3 | 503 71 53-01 | DECOMPRESSION VALVE | | 1 |
| 4 | 503 55 22-01 | PLUG | | 1 |
| 5 | 503 21 53-40 | SCREW ITXSCM | | 4 |
| 6 | 576 71 76-02 | SLEEVE | | 4 |
| 7 | 581 47 61-03 | CYLINDER ASSY | Incl. 8 - 13 | 1 |
| 8 | 503 21 53-16 | SCREW ITXSCM | | 2 |
| 9 | 506 36 88-01 | BRACKET | | 1 |
| 10 | 574 23 18-01 | PLATE | | 1 |
| 11 | 581 28 53-01 | GASKET | | 1 |
| 12 | 506 37 24-03 | PISTON ASSY | Incl. 14 - 15 | 1 |
| 13 | 503 25 56-01 | NEEDLE BEARING | | 1 |
| 14 | 522 99 01-01 | PISTON RING | | 2 |
| 15 | 737 43 12-00 | SNAP RING | | 2 |
| 16 | 588 91 51-01 | HEAT DEFLECTOR | | 1 |
| 17 | 588 93 25-01 | GASKET | | 1 |
| 18 | 592 77 83-01 | MUFFLER | Incl. 16 -17, 19 - 23 | 1 |
| 19 | 503 21 53-40 | SCREW ITXSCM | | 2 |
| 20 | 503 21 53-56 | SCREW ITXSCM | | 1 |
| 21 | 503 21 53-25 | SCREW ITXSCM | | 1 |
| 22 | 503 23 04-02 | WASHER | | 1 |
| 23 | 503 22 65-04 | SQUARE NUT | | 1 |
| 24 | 581 35 74-02 | GASKET KIT | Incl. 11, 17, 25 - 30 | 1 |
| 25 | 506 37 70-03 | GASKET | | 1 |
| 26 | 544 21 93-02 | INSERT | | 1 |
| 27 | 503 26 02-04 | SEALING RING | Blue | 2 |
| 28 | 506 37 68-04 | GASKET | | 1 |
| 29 | 506 37 67-01 | CYLINDER | | 1 |
| 30 | 506 37 70-02 | GASKET | | 1 |

J K770
ENGINE KIT

1



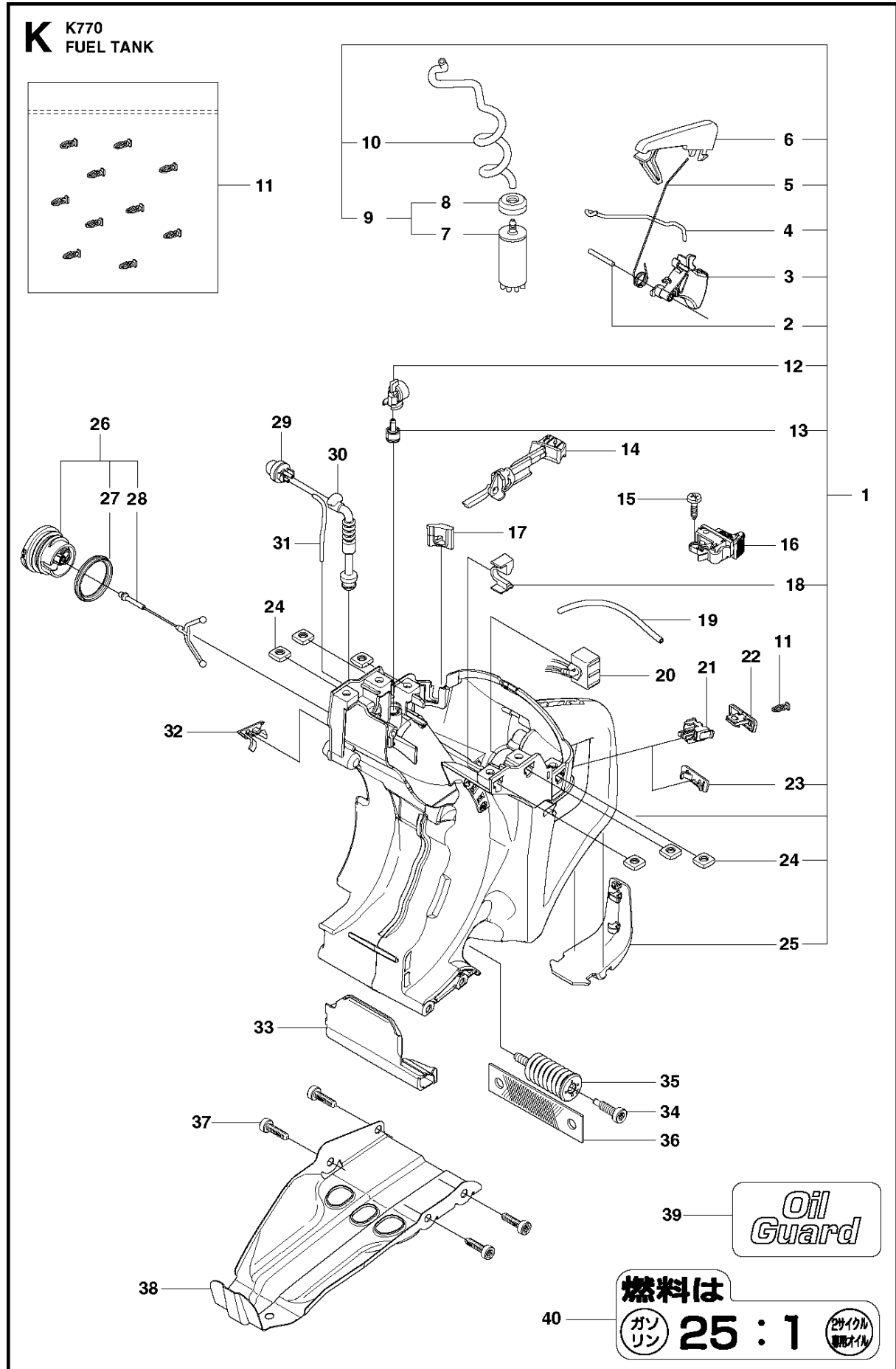
2



ENGINE

K 770, 2017-11

| Ref | Part No | Description | Remark | QTY | KIT |
|-----|--------------|---------------|--------|-----|-----|
| 1 | 593 28 25-03 | CRANKCASE KIT | | 1 | 1 |
| 2 | 593 28 25-02 | CRANKCASE KIT | | 1 | |

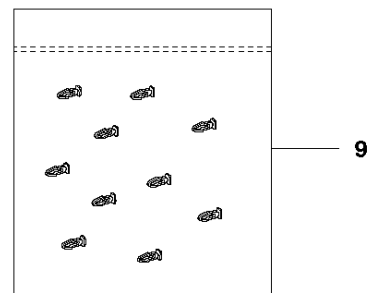
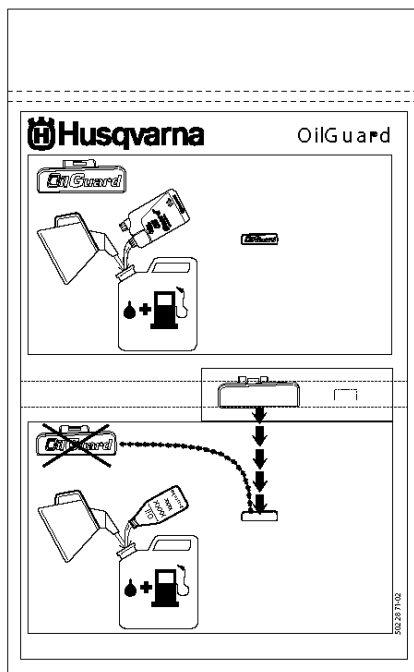
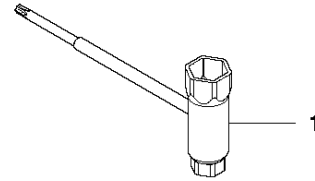
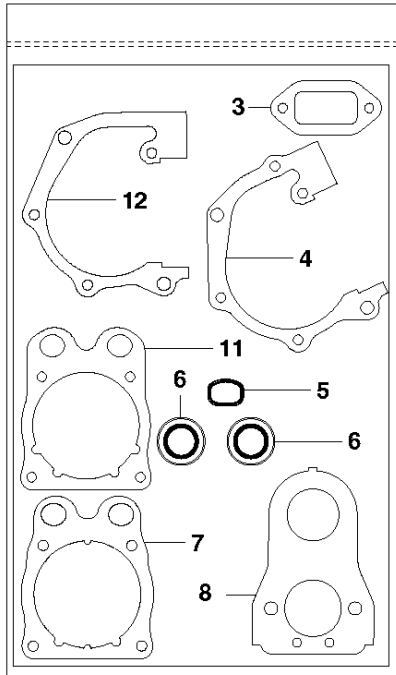


FUEL TANK

K 770, 2017-11

| Ref | Part No | Description | Remark | QTY KIT |
|-----|--------------|-----------------------|--------------------------------|---------|
| 1 | 593 28 18-01 | FUEL TANK ASSY | Incl. 2 - 10, 12-13, 18, 23-25 | 1 |
| 2 | 720 12 40-20 | PARALLEL PIN | | 2 |
| 3 | 588 08 62-02 | THROTTLE CONTROL | OIL GUARD | 1 |
| 3 | 588 08 62-01 | THROTTLE CONTROL | | 1 |
| 4 | 579 37 92-01 | THROTTLE ROD | | 1 |
| 5 | 587 74 60-01 | SPRING | | 1 |
| 6 | 588 13 77-01 | THROTTLE LOCKOUT | | 1 |
| 6 | 588 13 77-02 | THROTTLE LOCKOUT | OIL GUARD | 1 |
| 7 | 506 26 41-01 | FUEL FILTER | | 1 |
| 8 | 506 27 11-01 | HOSE CLAMP | | 1 |
| 9 | 506 26 41-11 | FUEL FILTER | Incl. 7 - 8 | 1 |
| 10 | 581 75 62-03 | FUEL HOSE | | 1 |
| 10 | 581 75 62-02 | FUEL HOSE | Oil Guard | 1 |
| 11 | 502 23 33-01 | KIT | Oil Guard. Incl. 10 pins | 1 |
| 12 | 577 31 35-01 | TANK VENT VALVE ASSY | | 1 |
| 13 | 501 15 29-01 | TANK VENT ASSY | | 1 |
| 14 | 544 22 90-02 | CHOKE CONTROL | | 1 |
| 15 | 525 88 74-02 | SCREW CITXPANT | | 1 |
| 16 | 506 31 86-04 | STOP SWITCH | | 1 |
| 17 | 506 37 80-01 | GROMMET | | 1 |
| 18 | 544 39 32-01 | HOSE CLIP | | 1 |
| 19 | 581 75 61-17 | FUEL HOSE | | 1 |
| 20 | 544 38 41-01 | ELECTRONIC BOX | | 1 |
| 21 | 501 01 88-01 | HOUSING | | 1 |
| 22 | 501 01 94-01 | SWITCH | | 1 |
| 23 | 501 37 13-01 | LID | | 1 |
| 24 | 581 77 48-01 | NUT | | 6 |
| 25 | 588 19 82-01 | GROUND SUPPORT | | 1 |
| 26 | 522 62 00-03 | TANK CAP ASSY | | 1 |
| 27 | 589 24 11-01 | GASKET | | 1 |
| 28 | 503 57 89-01 | HOLDER | | 1 |
| 29 | 540 05 49-01 | AIR CLEANER | | 1 |
| 30 | 505 19 52-01 | FUEL HOSE | | 1 |
| 31 | 537 04 24-14 | FUEL HOSE | | 1 |
| 32 | 506 39 46-02 | HUB CAP | | 1 |
| 33 | 506 38 15-01 | HEAT SHIELD | | 1 |
| 34 | 544 06 12-01 | SCREW ITXSCM | | 1 |
| 35 | 537 21 03-09 | ANTIVIBRATION ELEMENT | | 1 |
| 36 | 544 23 82-01 | BAND | | 1 |
| 37 | 503 21 54-20 | SCREW ITXSCT | | 4 |
| 38 | 506 37 19-02 | BASEPLATE | | 1 |
| 39 | 581 09 54-02 | DECAL | Oil Guard | 1 |
| 40 | 506 31 30-01 | LABEL | Japan Only | 1 |

L K770
GASKET KIT

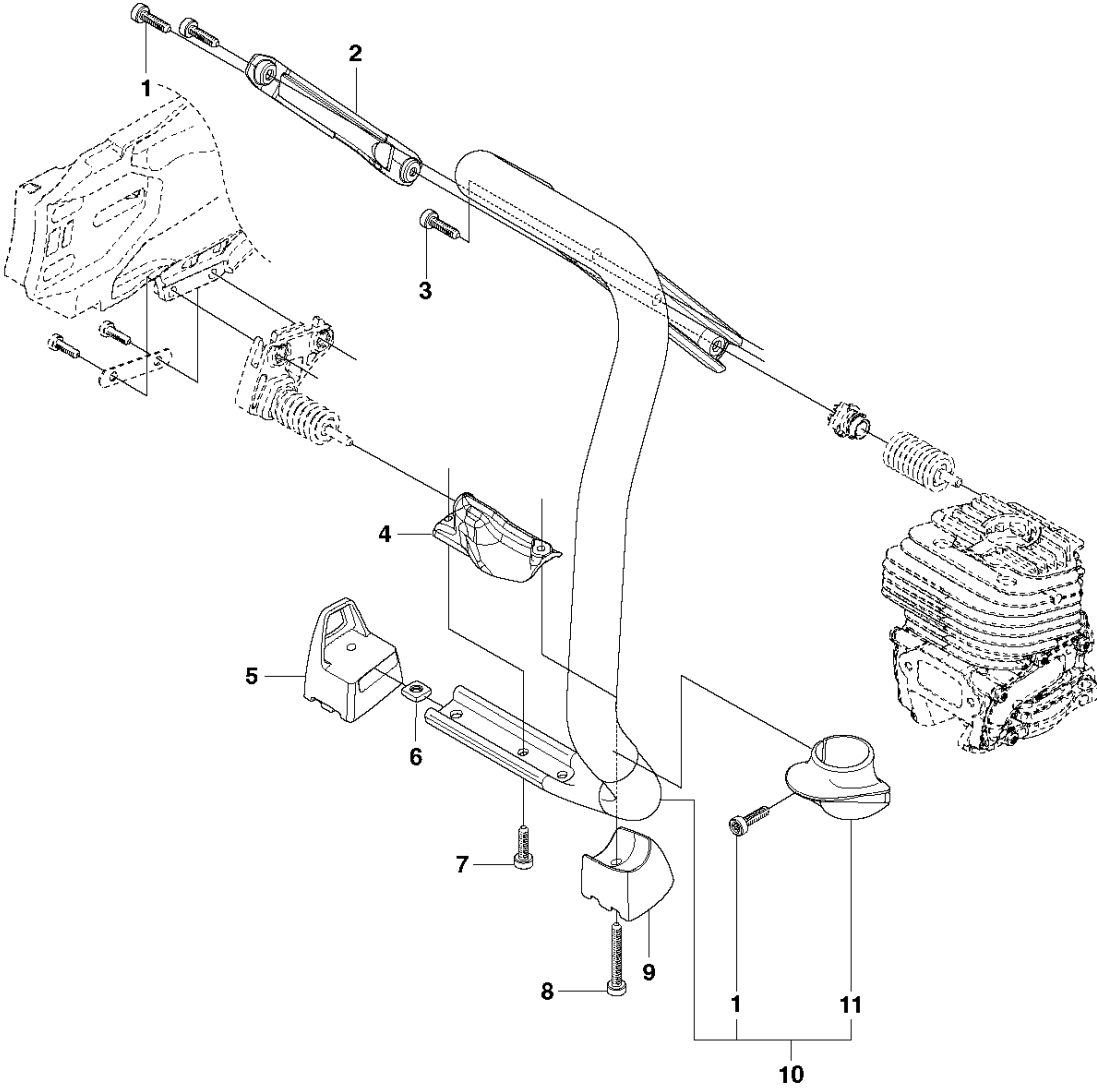


GASKET KIT

K 770, 2017-11

| Ref | Part No | Description | Remark | QTY KIT |
|-----|--------------|--------------|------------------|---------|
| 1 | 506 38 26-01 | TOOL | | 1 |
| 2 | 581 35 74-02 | GASKET KIT | Incl. 3-8, 11-12 | 1 |
| 3 | 588 93 25-01 | GASKET | | 1 |
| 4 | 506 37 70-03 | GASKET | | 1 |
| 5 | 544 21 93-02 | INSERT | | 1 |
| 6 | 503 26 02-04 | SEALING RING | Blue | 2 |
| 7 | 581 28 53-01 | GASKET | | 1 |
| 8 | 506 37 68-04 | GASKET | | 1 |
| 9 | 502 23 33-01 | KIT | Incl. 10 Pins | 1 |
| 10 | 502 28 70-03 | KIT | | 1 |
| 11 | 506 37 67-01 | CYLINDER | | 1 |
| 12 | 506 37 70-02 | GASKET | | 1 |

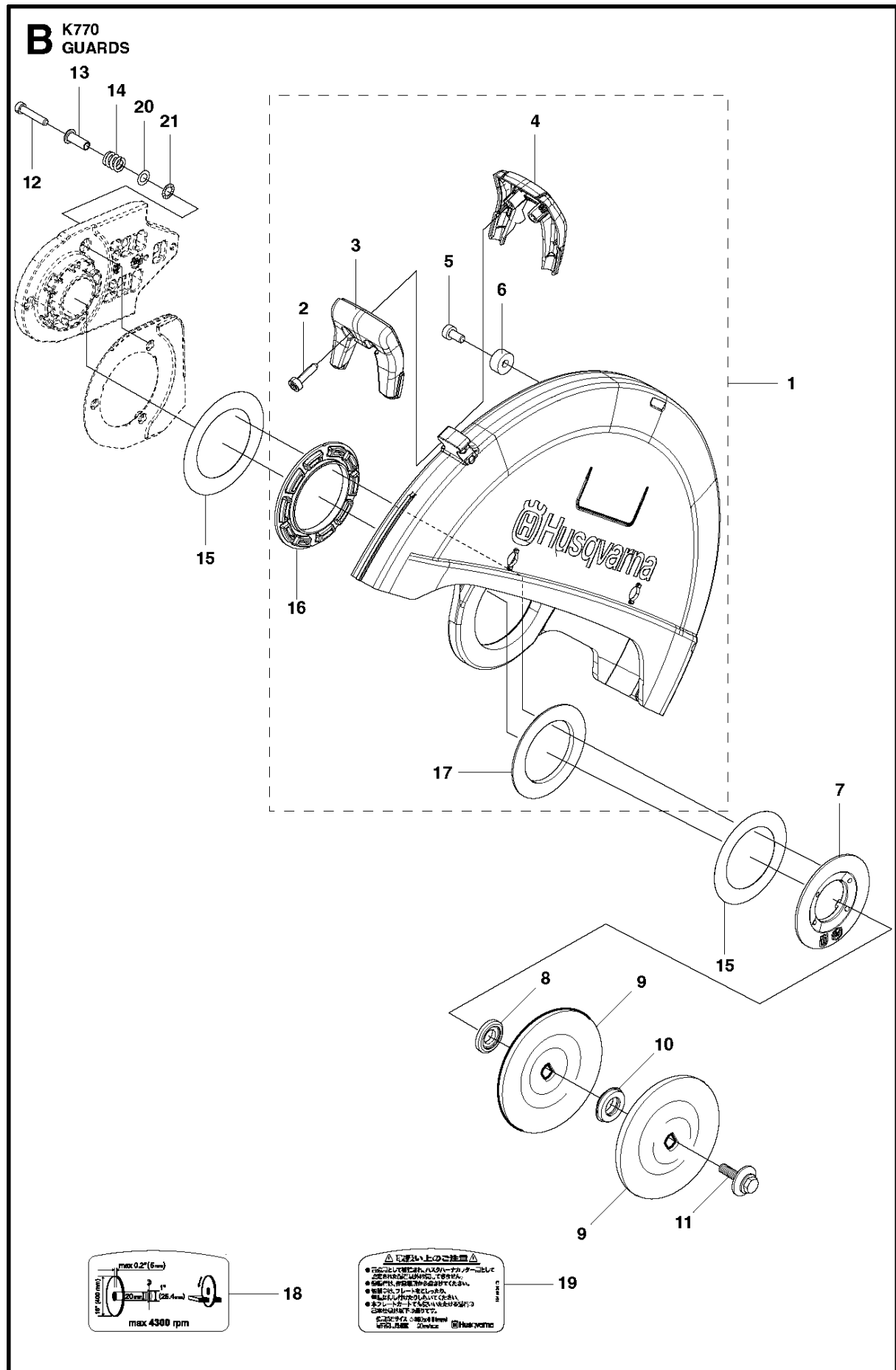
O K770
GROUND SUPPORT



GROUND SUPPORT

K 770, 2017-11

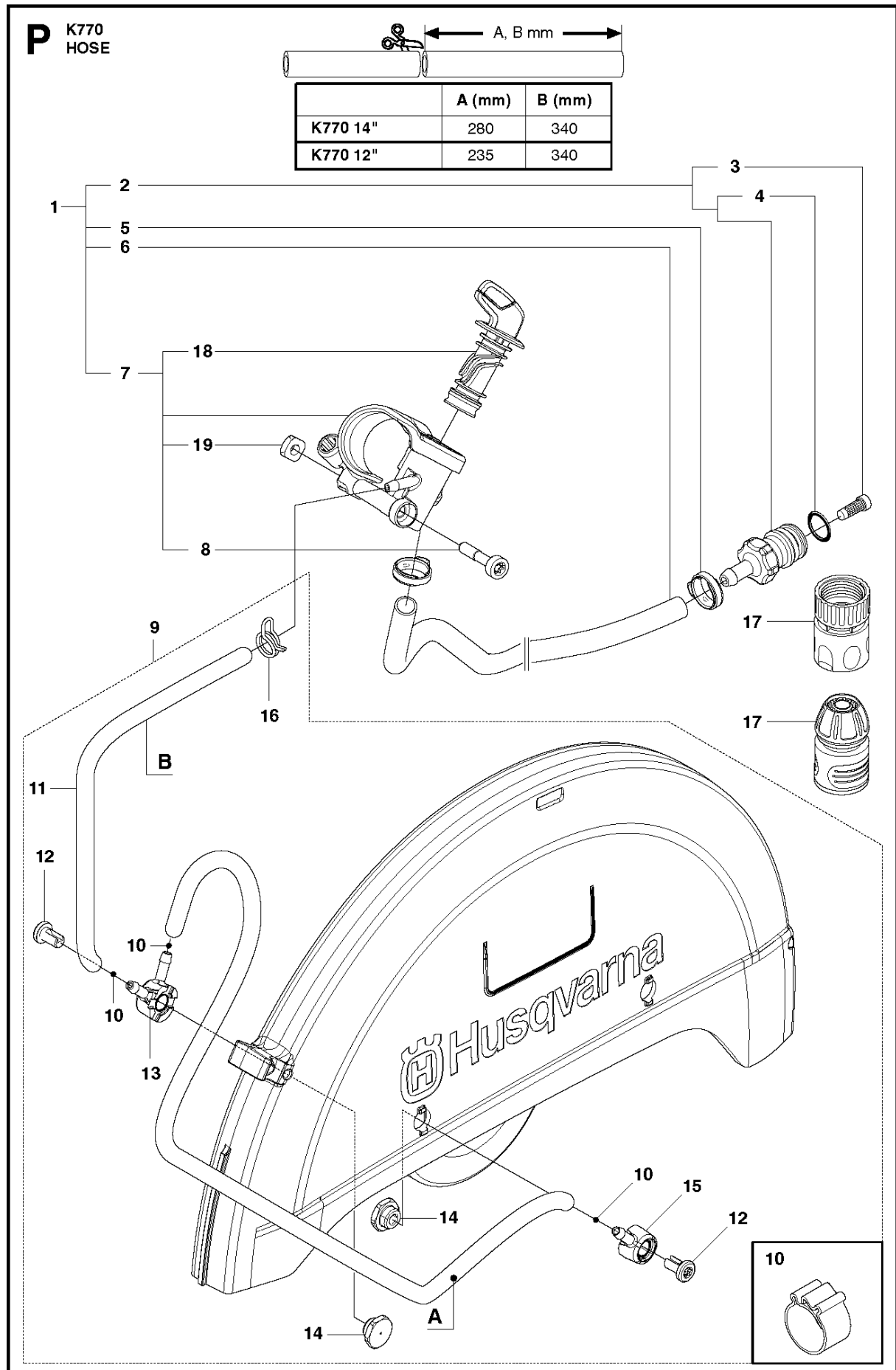
| Ref | Part No | Description | Remark | QTY KIT |
|-----|--------------|-----------------|------------|---------|
| 1 | 503 21 54-20 | SCREW ITXSCT | | 3 |
| 2 | 577 98 16-02 | HOSE GUARD | | 1 |
| 3 | 544 06 12-01 | SCREW ITXSCM | | 1 |
| 4 | 575 26 77-01 | SPRING RETAINER | | 1 |
| 5 | 522 83 23-01 | GROUND SUPPORT | | 1 |
| 6 | 503 22 65-04 | SQUARE NUT | | 1 |
| 7 | 503 21 53-10 | SCREW ITXSCM | | 3 |
| 8 | 503 21 53-40 | SCREW ITXSCM | | 1 |
| 9 | 522 83 24-01 | GROUND SUPPORT | | 1 |
| 10 | 581 11 06-03 | HANDLE ASSY | Incl. 1,11 | 1 |
| 11 | 506 38 71-02 | STOP | | 1 |



GUARDS

K 770, 2017-11

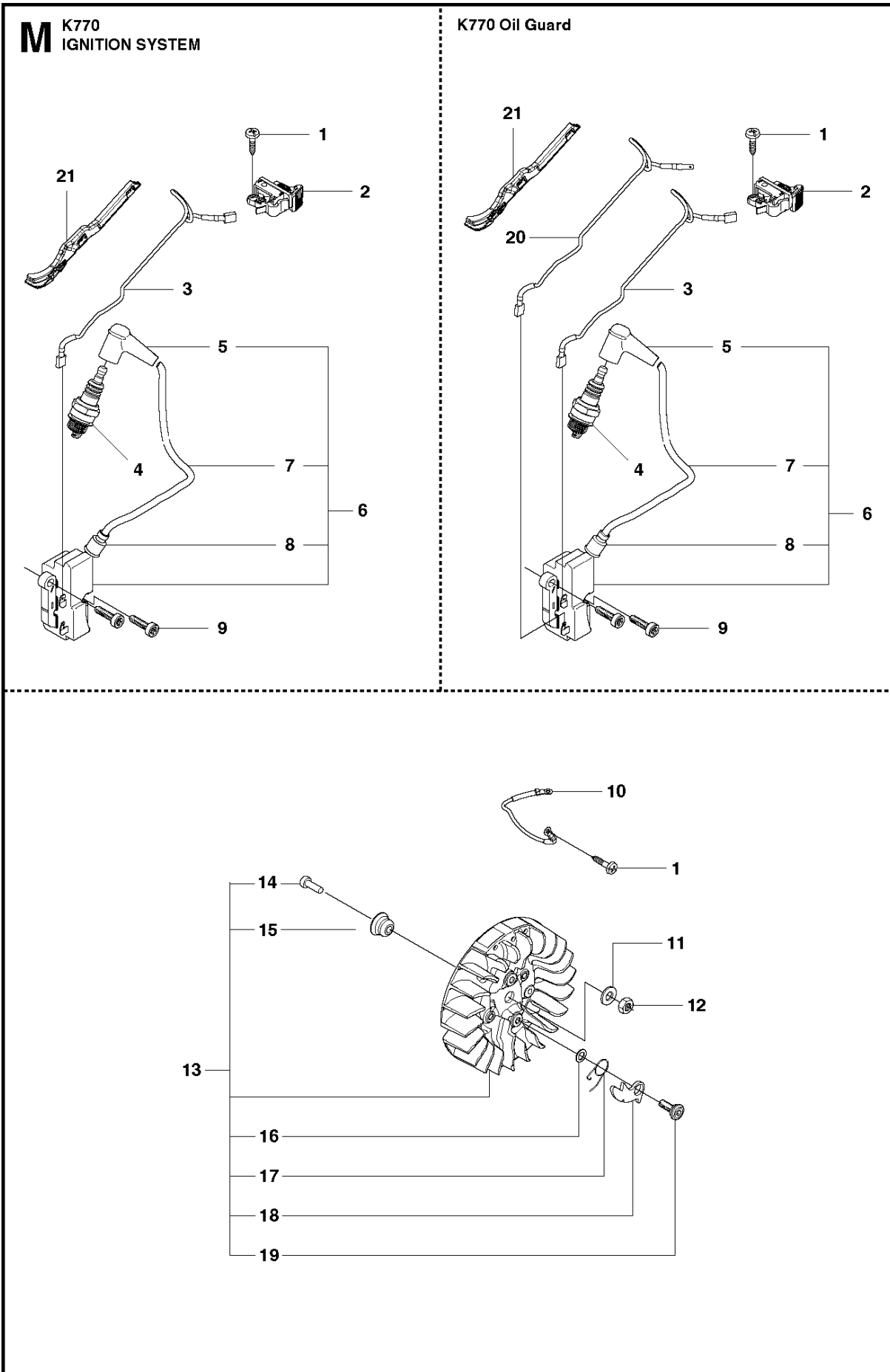
| Ref | Part No | Description | Remark | QTY | KIT |
|-----|--------------|----------------|------------------------------|-----|-----------------------------|
| 1 | 581 35 19-04 | WHEEL GUARD | 14" | 1 | 2, 3, 4, 5, 6, 16, 17 |
| 1 | 581 35 19-03 | WHEEL GUARD | 12" | 1 | 2, 3, 4, 5, 6, 16, 17 |
| 2 | 504 90 94-14 | SCREW ITXSCT | | 2 | |
| 3 | 578 19 09-01 | HANDLE HALF | | 1 | |
| 4 | 578 76 09-01 | HANDLE HALF | | 1 | |
| 5 | 504 90 94-10 | SCREW ITXSCT | | 1 | |
| 6 | 581 62 03-01 | STOP | | 1 | |
| 7 | 584 43 77-01 | DISC | | 1 | |
| 8 | 584 43 83-01 | SUPPORT FLANGE | | 1 | |
| 9 | 583 87 44-02 | FLANGE | Diam 105mm | 2 | |
| 9 | 506 07 09-02 | FLANGE WASHER | Diam 119mm, Japan 12"/14" | 2 | |
| 10 | 578 39 82-01 | BUSHING | Diam 20/25, 4mm | 1 | |
| 10 | 581 60 54-03 | BUSHING | Diam 30, 5 mm | 1 | |
| 10 | 506 37 96-20 | KIT | Diam 20 mm | 1 | |
| 10 | 506 37 96-22 | KIT | Diam 22, 2 mm | 1 | |
| 11 | 590 50 38-01 | SCREW | | 1 | |
| 12 | 544 21 84-30 | SCREW ITXSCM | | 4 | |
| 13 | 584 43 82-01 | SLEEVE | 12", Shiny | 4 | |
| 13 | 584 43 82-02 | SLEEVE | 14", Black | 4 | |
| 14 | 584 43 81-01 | SPRING | | 4 | |
| 15 | 584 43 78-01 | SHIM | | 2 | |
| 16 | 584 43 79-01 | LINING | | 1 | |
| 17 | 584 43 80-01 | LINING | | 1 | |
| 18 | 581 11 77-05 | DECAL | 12" | 1 | |
| 18 | 581 11 77-06 | DECAL | 14" | 1 | |
| 19 | 584 99 26-01 | DECAL | 12" | 1 | |
| 19 | 584 99 26-02 | DECAL | 14" | 1 | |
| 20 | 582 23 31-01 | WASHER | | 4 | |
| 21 | 582 23 32-01 | WASHER | | 4 | |



HOSE

K 770, 2017-11

| Ref | Part No | Description | Remark | QTY KIT |
|-----|--------------|--------------|-----------------------------|---------|
| 1 | 581 47 62-12 | HOSE KIT | Incl. 2, 5 - 7 & Hose Guard | 1 |
| 2 | 581 47 83-01 | NIPPLE | Incl. 3, 4 | 1 |
| 3 | 506 29 88-01 | FILTER | | 1 |
| 4 | 505 10 35-01 | O-RING | | 1 |
| 5 | 581 78 35-01 | HOSE CLAMP | | 2 |
| 6 | 578 19 81-01 | HOSE | | 1 |
| 7 | 578 24 33-02 | VALVE ASSY | Incl. 8, 18, 19 | 1 |
| 8 | 503 21 53-41 | SCREW ITXSCM | | 1 |
| 9 | 581 72 15-02 | HOSE KIT | Incl. 10 - 16 | 1 |
| 10 | 506 49 87-04 | HOSE CLAMP | | 3 |
| 11 | 578 19 83-05 | HOSE | 800 mm | 1 |
| 12 | 504 63 46-01 | SCREW ITXSCM | | 2 |
| 13 | 578 19 07-01 | HOUSING | | 1 |
| 14 | 576 79 84-01 | NIPPLE | | 2 |
| 15 | 578 19 08-01 | HOUSING | | 1 |
| 16 | 583 83 30-01 | HOSE CLAMP | | 1 |
| 17 | 503 26 60-03 | COUPLER | USA, Canada | 1 |
| 17 | 503 26 60-04 | COUPLER | | 1 |
| 19 | 503 22 65-04 | SQUARE NUT | | 1 |
| 18 | 581 35 70-01 | LEVER ASSY | With O-rings | 1 |

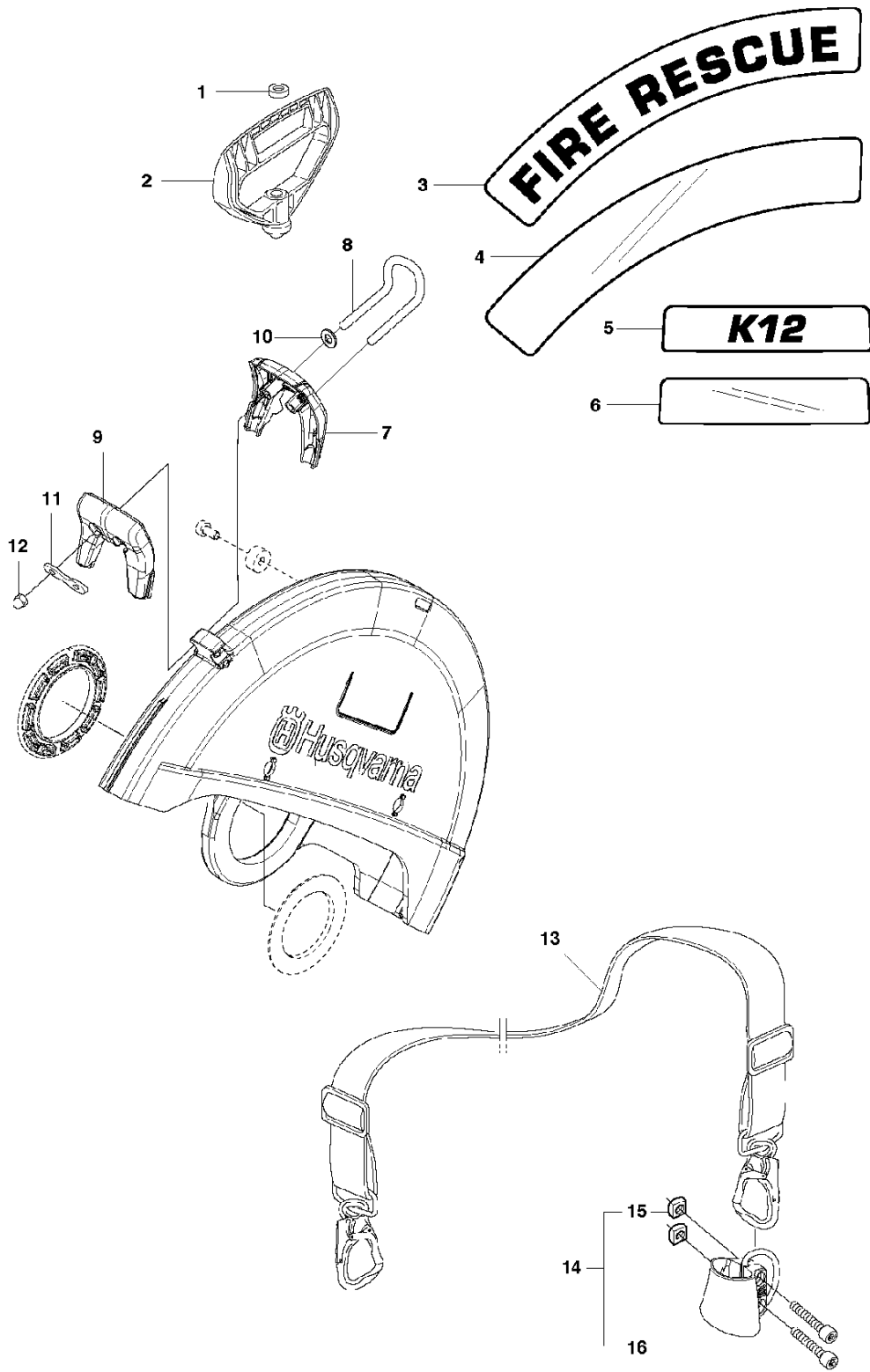


IGNITION SYSTEM

K 770, 2017-11

| Ref | Part No | Description | Remark | QTY KIT |
|-----|--------------|-----------------|----------------|---------|
| 1 | 525 88 74-02 | SCREW CITXPANT | | 2 |
| 2 | 506 31 86-04 | STOP SWITCH | | 1 |
| 3 | 586 49 72-01 | CABLE | | 1 |
| 4 | 503 23 51-11 | SPARK PLUG | RCJ 6 Y | 1 |
| 5 | 501 48 54-02 | SPARK PLUG CAP | | 1 |
| 6 | 580 38 05-01 | IGNITION MODULE | Incl. 5, 7 - 8 | 1 |
| 7 | 506 38 78-34 | IGNITION CABLE | | 1 |
| 8 | 505 27 75-16 | ISOLERHATT | | 1 |
| 9 | 503 21 53-20 | SCREW ITXSCM | | 2 |
| 10 | 506 37 85-01 | CABLE | | 1 |
| 11 | 503 23 01-01 | WASHER | | 1 |
| 12 | 503 22 10-11 | HEXAGON NUT | Incl. 14 - 19 | 1 |
| 13 | 587 70 21-02 | FLYWHEEL ASSY | | 1 |
| 14 | 725 53 29-56 | SCREW IHSCM | | 1 |
| 15 | 574 25 09-01 | WEIGHT | | 1 |
| 16 | 503 23 00-42 | WASHER | | 2 |
| 17 | 576 49 26-01 | SPRING | | 2 |
| 18 | 501 67 32-03 | PAWL | | 2 |
| 19 | 506 00 69-01 | SCREW | | 2 |
| 20 | 544 38 49-01 | CABLE | Oil Guard | 1 |
| 21 | 577 24 28-01 | CABLE HOLDER | | 1 |

Q K770
RESCUE

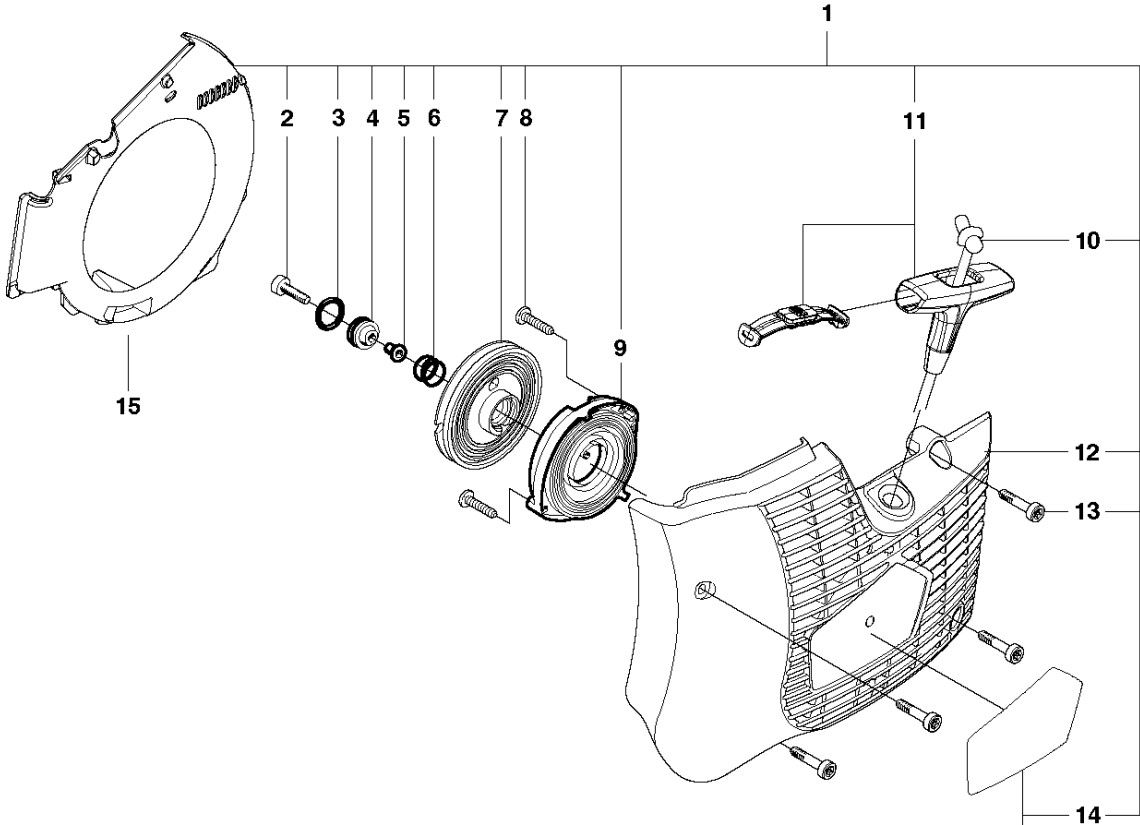


RESCUE

K 770, 2017-11

| Ref | Part No | Description | Remark | QTY KIT |
|-----|--------------|----------------|--------|---------|
| 1 | 503 14 29-02 | WASHER | | 1 |
| 2 | 506 29 75-02 | STARTER HANDLE | | 1 |
| 3 | 593 22 32-01 | DECAL | | 2 |
| 4 | 593 22 34-01 | DECAL | | 1 |
| 5 | 588 98 76-02 | DECAL | | 1 |
| 6 | 588 98 76-01 | DECAL | | 1 |
| 7 | 578 76 09-02 | HANDLE HALF | | 1 |
| 8 | 588 75 46-01 | ROD | | 1 |
| 9 | 578 19 09-01 | HANDLE HALF | | 1 |
| 10 | 576 29 40-01 | WASHER | | 1 |
| 11 | 588 75 47-01 | HANDLE BRACKET | | 1 |
| 12 | 588 90 81-01 | NUT CAP | | 2 |
| 13 | 586 45 60-01 | SHOULDER STRAP | | 1 |
| 14 | 588 73 14-01 | BRACKET | | 1 |
| 15 | 503 22 65-04 | SQUARE NUT | | 2 |
| 16 | 503 21 53-16 | SCREW ITXSCM | | 2 |

N K770
STARTER



STARTER

K 770, 2017-11

| Ref | Part No | Description | Remark | QTY KIT |
|-----|--------------|-----------------------|--------------|---------|
| 1 | 574 36 20-05 | STARTER | Incl. 2 - 15 | 1 |
| 2 | 510 26 92-22 | SCREW ITXSCT | | 1 |
| 3 | 740 43 13-00 | O-RING | | 1 |
| 4 | 510 00 08-01 | SEALING | | 1 |
| 5 | 506 26 31-01 | SPACING SLEEVE | | 1 |
| 6 | 506 25 30-01 | COMPRESSION SPRING | | 1 |
| 7 | 506 25 81-03 | STARTER PULLEY | | 1 |
| 8 | 525 88 74-02 | SCREW CITXPANT | | 2 |
| 9 | 506 25 89-01 | RECOIL SPRING | | 1 |
| 10 | 506 33 56-15 | CORD | | 1 |
| 10 | 506 33 56-50 | STARTER CORD | 50 m | 1 |
| 11 | 584 25 79-02 | STARTER HANDLE ASSY | | 1 |
| 12 | 525 44 60-01 | STARTER COVER | | 1 |
| 13 | 501 98 10-20 | SCREW ITXSCM | | 4 |
| 14 | 525 57 11-01 | DECAL | | 1 |
| 15 | 501 85 94-01 | COOLING AIR CONDUCTOR | | 1 |