

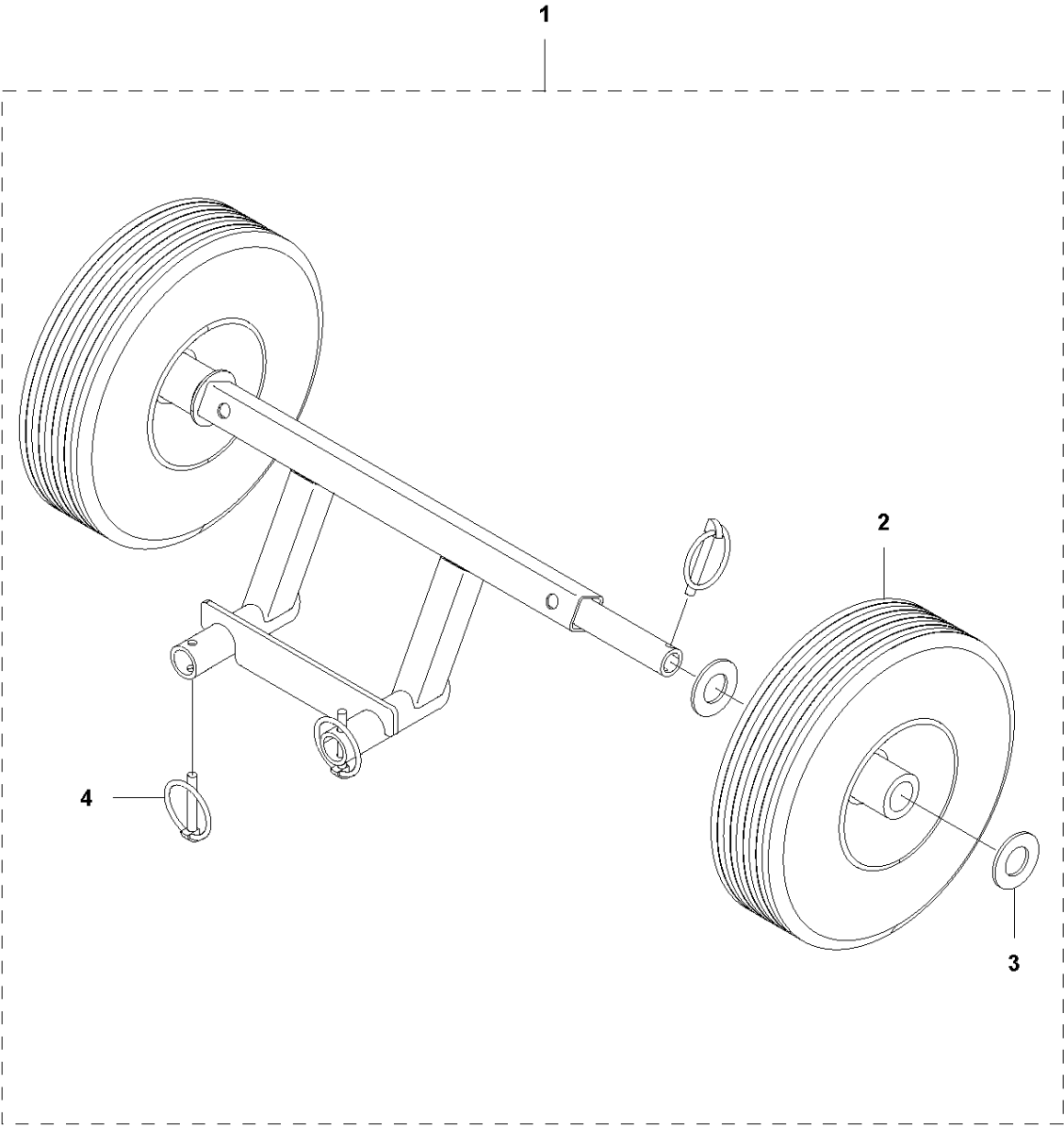


SPARE PARTS LIST

DRILLING EQUIPMENT

DS900, 2015-01

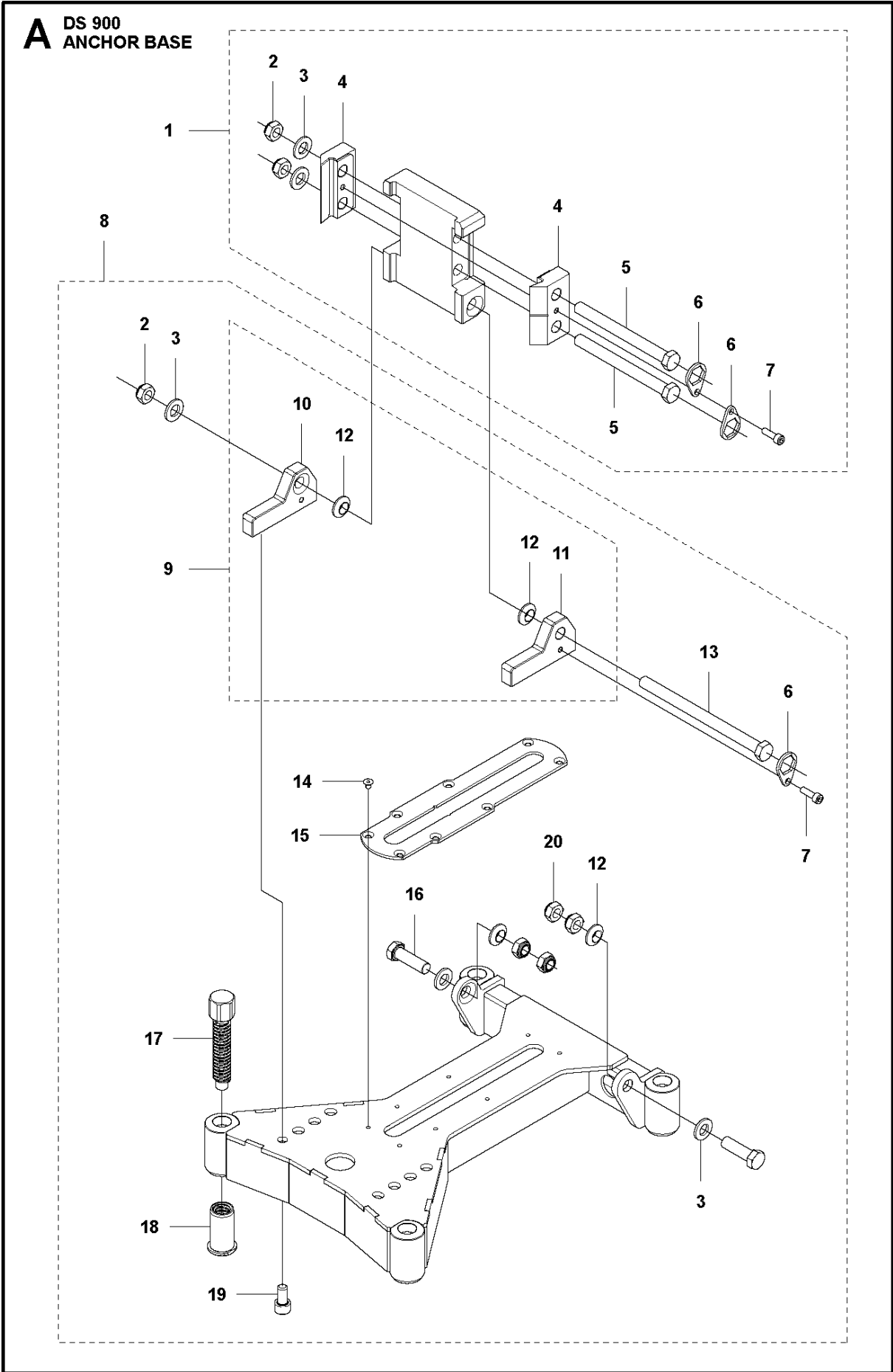
E DS 900
ACCESSORIES



ACCESSORIES

DS900, 2015-01

Ref	Part No	Description	Remark	QTY KIT	
1	587 08 81-01	WHEEL		1	
2	531 14 06-24	WHEEL		2	1
3	531 14 06-27	WASHER		4	1
4	531 14 06-23	PEN		4	1

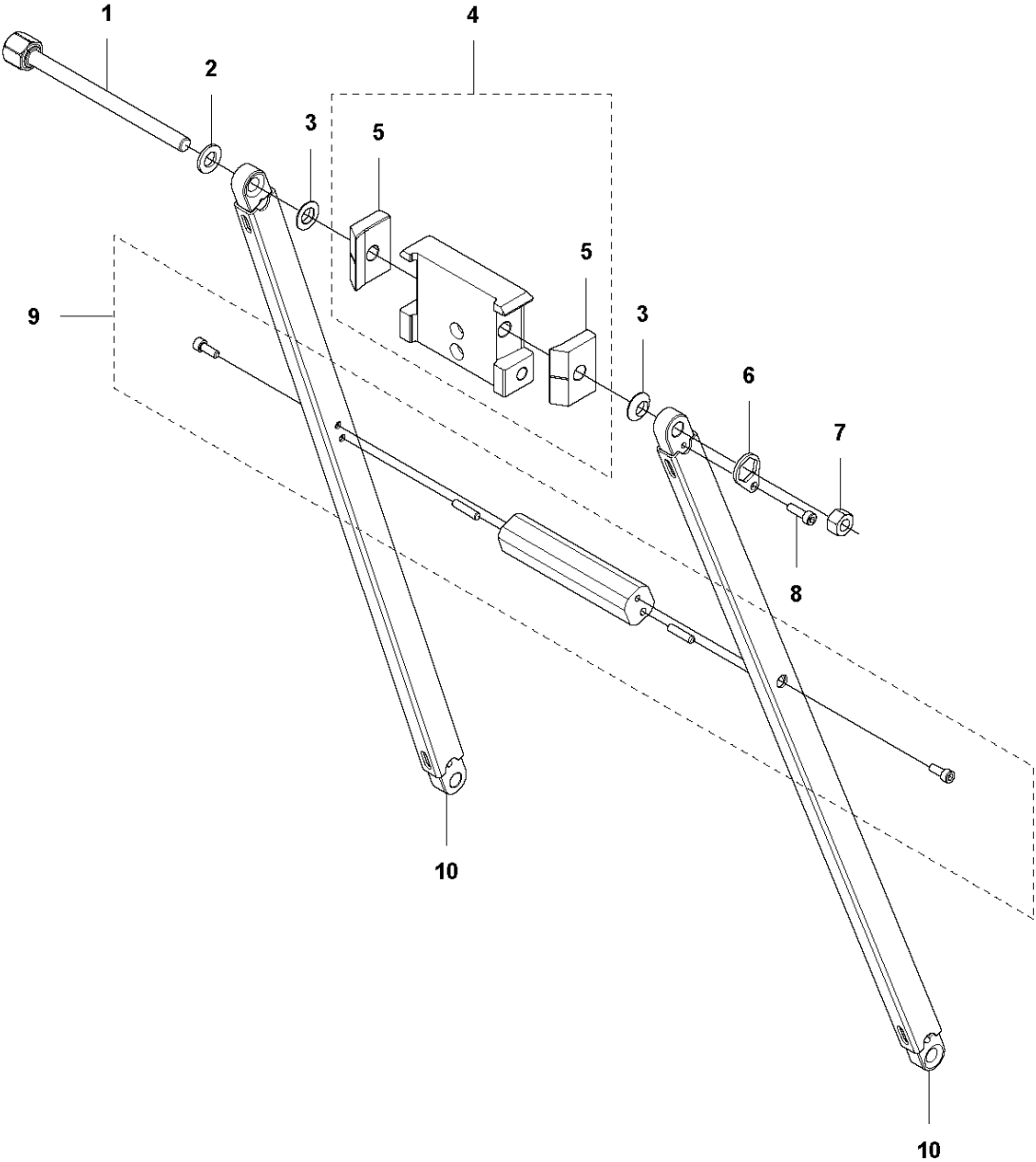


ANCHOR BASE

DS900, 2015-01

Ref	Part No	Description	Remark	QTY	KIT
1	586 66 09-01	HOLDER		1	
2	732 25 22-71	HEXAGON LOCKING NUT		3	1
3	734 11 78-01	WASHER		5	1
4	586 62 54-01	CLAMP		2	1
5	725 25 58-51	SCREW EHHM		2	1
6	586 62 55-02	LOCKING PLATE		2	1
7	725 53 68-01	SCREW IHSCM		2	1
8	586 88 00-01	BASEPLATE		1	
9	586 88 01-01	ATTACHMENT		1	8
10	586 62 57-01	HINGE PLATE		1	8,9
11	586 62 57-02	HINGE PLATE		1	8,9
12	586 62 56-01	BOSS		4	8,9
13	586 98 99-01	SCREW EHHM		1	8
14	725 62 92-01	SCREW IHCSFM		8	8
15	586 62 42-01	SUPPORT PLATE		1	8
16	725 25 41-71	SCREW EHHM		2	8
17	541 40 50-50	LEVELING SCREW		1	8
18	541 40 50-51	BUSHING		1	8
19	725 54 91-01	SCREW IHSCM		8	8
20	731 43 22-01	HEXAGON THIN NUT		2	8

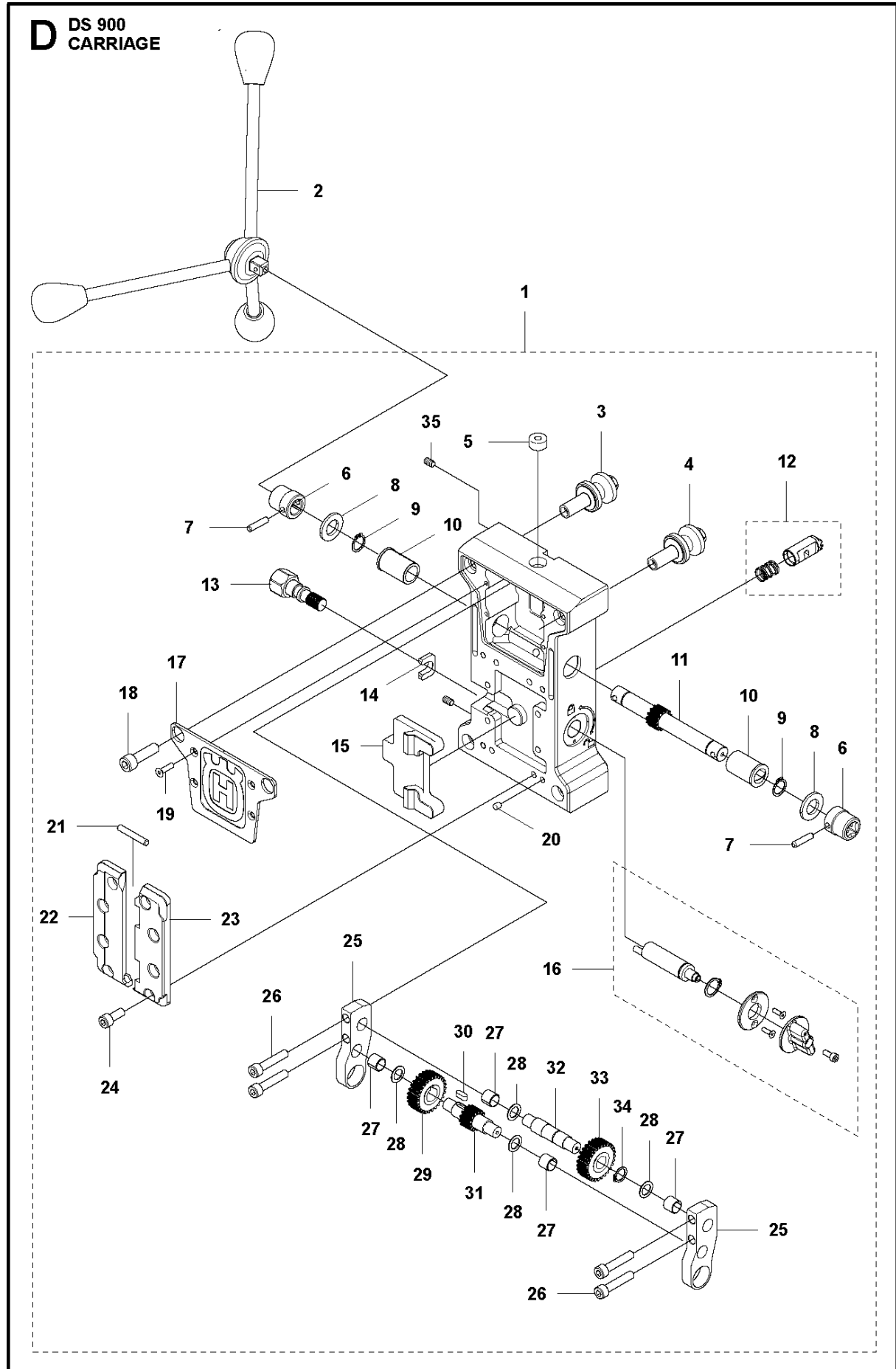
B DS 900
BACK SUPPORT



BACK SUPPORT

DS900, 2015-01

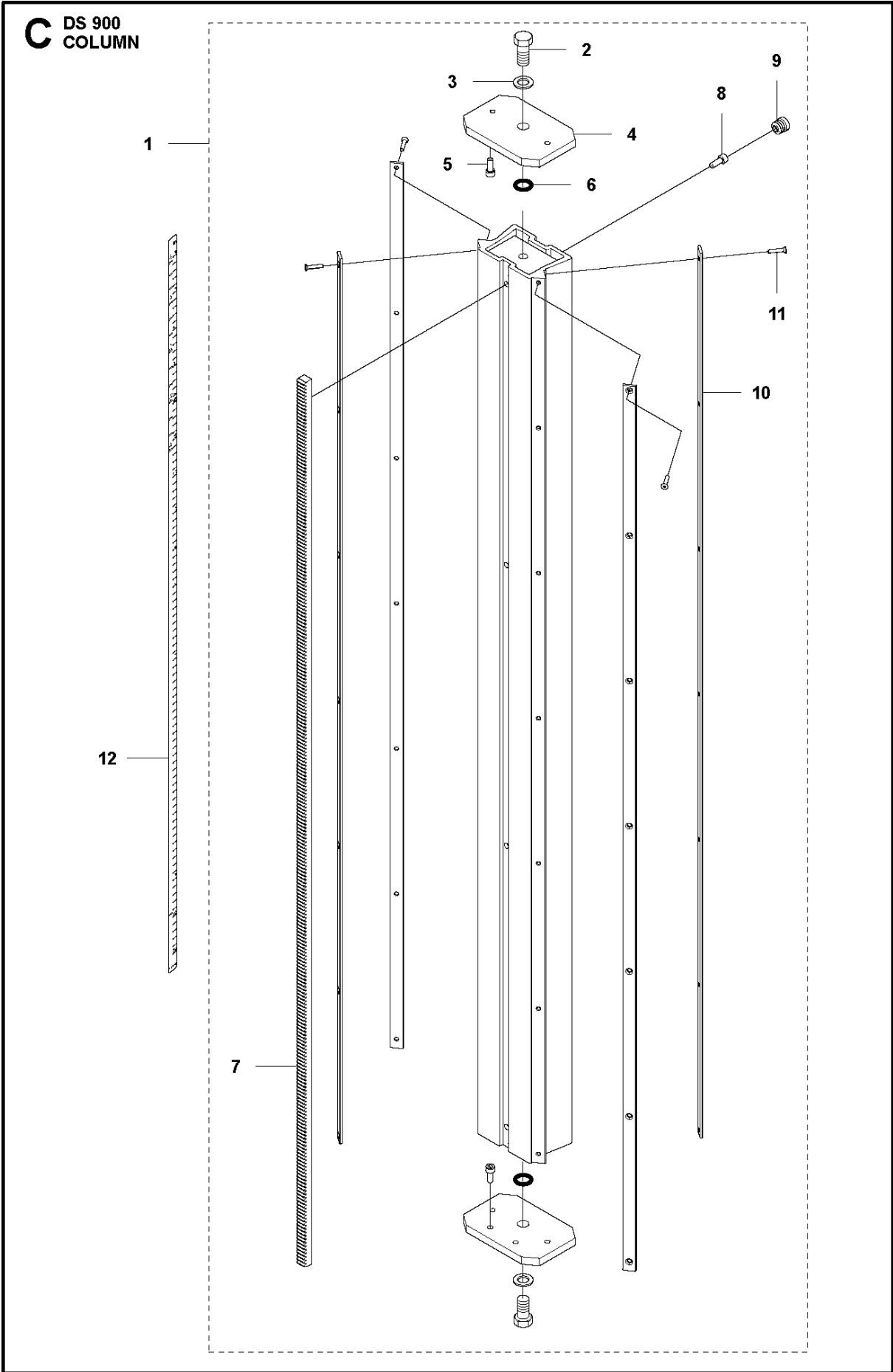
Ref	Part No	Description	Remark	QTY KIT
1	587 08 00-01	SCREW		1
2	734 11 78-01	WASHER		1
3	587 08 12-01	WASHER		2
4	586 66 10-01	HOLDER	4	1
5	586 62 59-01	CLAMP		2
6	586 62 55-01	LOCKING PLATE		1
7	731 23 22-55	HEXAGON NUT		1
8	725 53 68-01	SCREW IHSCM		1
9	586 88 48-01	HANDLE KIT		1
10	586 62 61-01	SUPPORT ASSY		2



CARRIAGE

DS900, 2015-01

Ref	Part No	Description	Remark	QTY	KIT
1	586 66 52-01	CARRIAGE		1	
2	541 40 50-39	HANDLE		1	
3	586 90 41-01	WHEEL KIT	Screw included	1	1
4	586 90 42-01	WHEEL KIT	Screw included	1	1
5	531 14 08-97	AKRYLLIBELL LITEN		1	1
6	504 90 83-09	SHREDDER CASE		2	1
7	720 18 28-51	PARALLEL PIN		2	1
8	734 11 86-01	WASHER		2	1
9	735 31 18-01	CIRCLIP		2	1
10	586 67 27-01	BEARING		2	1
11	586 67 32-01	DRIVE SHAFT		1	1
12	586 88 50-01	LOCK		1	1
13	541 40 50-06	QUICK ATTACH: BOLT		1	1
14	541 40 50-27	QUICK ATTACH: BOLT RETAINER		1	1
15	584 97 30-01	LOCKING PLATE		1	1
16	586 88 51-01	LOCK		1	1
17	586 67 34-01	COVER PLATE		1	1
18	725 54 97-01	SCREW IHSCM		4	1
19	725 63 23-01	SCREW IHCSFM		4	1
20	720 13 47-51	PARALLEL PIN		4	1
21	720 13 61-51	HARDENED DOWEL PIN		1	1
22	541 40 50-05	QUICK ATTACH: RIGHT PLATE		1	1
23	541 40 50-04	QUICK ATTACH: LEFT PLATE		1	1
24	725 54 51-01	SCREW IHSCM		8	1
25	586 67 26-01	BRACKET		2	1
26	725 54 59-01	SCREW IHSCM		4	1
27	506 11 05-01	BEARING		4	1
28	586 73 12-01	SHIM		4	1
29	586 67 33-01	GEAR WHEEL		1	1
30	586 73 18-01	PARALLEL KEY		1	1
31	586 67 30-01	SHAFT		1	1
32	586 67 31-01	SHAFT		1	1
33	586 67 29-01	GEAR WHEEL		1	1
34	735 31 16-00	CIRCLIP	1	1	
35	587 15 97-01	SCREW	1	2	



Ref	Part No	Description	Remark	QTY KIT
1	531 11 30-45	TRACK	1,2 m	1
1	531 11 30-46	TRACK	2,0 m	1
1	531 11 30-47	TRACK	2,2 m	1
2	531 11 92-03	SCREW		2
3	531 11 91-83	WASHER		2
4	531 12 20-70	END PLATE		2
5	725 53 64-01	SCREW IHSCM		4
6	740 43 07-00	O-RING		2
7	531 12 20-28	GEAR RACK 1,2 M	1,2 m	1
7	531 12 20-27	GEAR RACK 2,0 M	2,0 m	1
7	531 12 21-24	GEAR RACK 2,2M	2,2 m	1
8	725 53 64-01	SCREW IHSCM	1,2 m	4
8	725 53 64-01	SCREW IHSCM	2,0 m	6
8	725 53 64-01	SCREW IHSCM	2,2 m	7
9	531 11 91-52	RUBBER PLUG	1,2 m	4
9	531 11 91-52	RUBBER PLUG	2,0 m	6
9	531 11 91-52	RUBBER PLUG	2,2 m	7
10	531 12 20-44	GUIDE	1,2 m	4
10	531 12 20-43	GUIDE TRACK SECTION 2.0	2,0 m	4
10	531 12 21-25	GUIDE	2,2 m	4
11	531 11 93-50	SCREW	1,2 m	28
11	531 11 93-50	SCREW	2,0 m	44
11	531 11 93-50	SCREW	2,2 m	48
12	586 62 65-01	DECAL		1